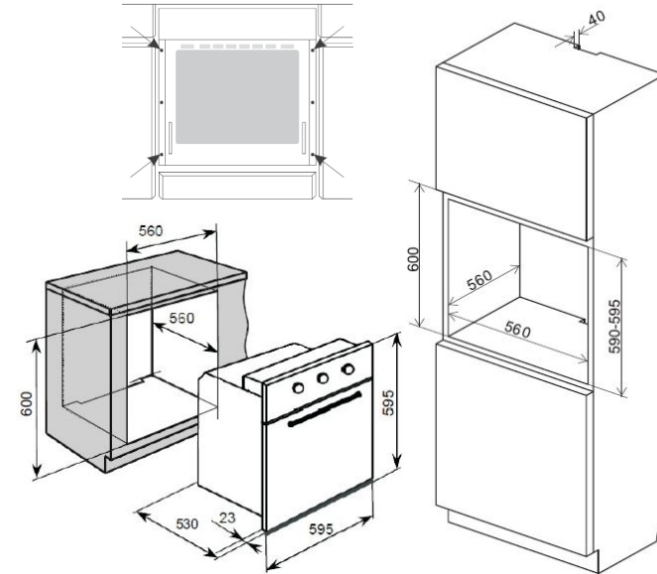


PRODUCT CARD

BROHN 60cm Built-in Electric Oven 6 Function with InBuilt AirFry mode

MODEL: BRO6006BLK



D(mm)	W (mm)	H (mm)
530	595	595

Features

Large Oven NET capacity: 73L (80L Gross)
 6 Functions with easy operating knob control

Programmable clock / cut off timer
 Designer style - Black glass front panel

Triple-glazed, easy removable door and glass
 AirFry function with special INOX AirFry tray

24 hour white LED timer
 Energy Efficiency Class: A

Black enamelled cavity with easy removable
 side racks

Specifications

Voltage Rating: 220-240 V~ 50/ 60 Hz
 Max Rated Inputs: 2.9kw

Power Cord: 15 amp 3 Pin Plug
 Temperature Range :50 ~ 250°C

Product Size D×W×H (mm): 595 x 595 x 530

Package Size D×W×H (mm): 650 x 580 x 655

Product Weight: 31 kg/Package Weight: 33 kg

Oven Functions/Accessories

6 Cooking Functions: Oven Light/Airfry/Fan Forced/Fan
 Grill/Bake Heat

Accessories: Airfry Tray/Oven Tray/Oven Shelf/Tray
 Insert Grill Rack

Functions & Temperature Control: Knobs
 Timer Control : Digital LED Display

Oven Cavity: Black Enamel

Cavity Size: 73 L