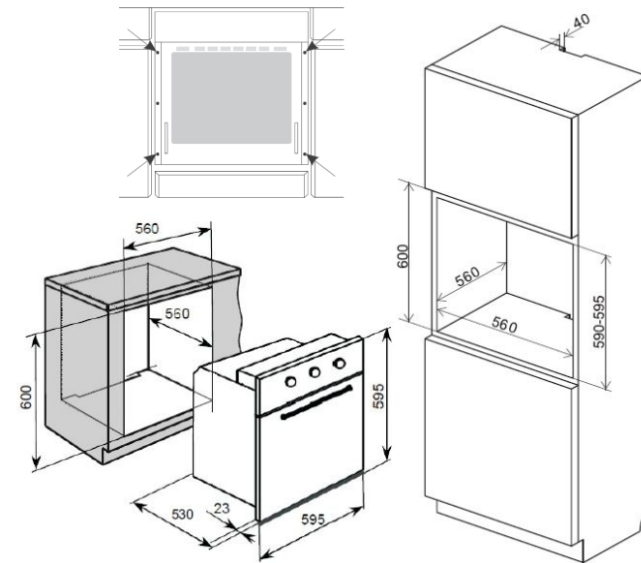


PRODUCT CARD

BROHN 60cm Built-in Electric Oven Black Glass 10 Functions with InBuilt AirFry mode

MODEL: BRO6001BLK



D(mm)	W (mm)	H (mm)
530	595	595

Features

- Large Oven NET capacity: 73L
- Black Glass Front Panel, easy operating knob control, 10 Functions with InBuilt AirFry mode
- Programmable clock / cut off timer
- Mechanical Thermostat: 50°C-250°C
- Triple-glazed, easy removable door and glass
- 5 Shelves, Special INOX AirFry tray
- 24 hour white LED timer
- Energy Efficiency Class: A
- Black enamelled cavity with easy removable side racks

Specifications

- Voltage Rating: 220-240 V~ 50/ 60 Hz
- Max Rated Inputs: 2.9kw
- Power Cord: 10 amp 3 Pin Plug
- Temperature Range :50 ~ 250°C
- Product Size D×W×H (mm): 595 x 595 x 530
- Package Size D×W×H (mm): 650 x 580 x 655
- Product Weight: 28 kg/Package Weight: 30 kg

Oven Functions/Accessories

- 10 Cooking Functions: Oven Light/Defrost/Top heat/Base heat/Bake roast/Airfry/Pizza/Fan forced/Grill/Fan grill
- Accessories: Airfry Tray/Oven Tray/Oven Shelf/Tray Insert Grill Rack
- Functions & Temperature Control: Knobs
- Timer Control :Digital LED Display
- Oven Cavity: Black Enamel
- Cavity Size: 73 L