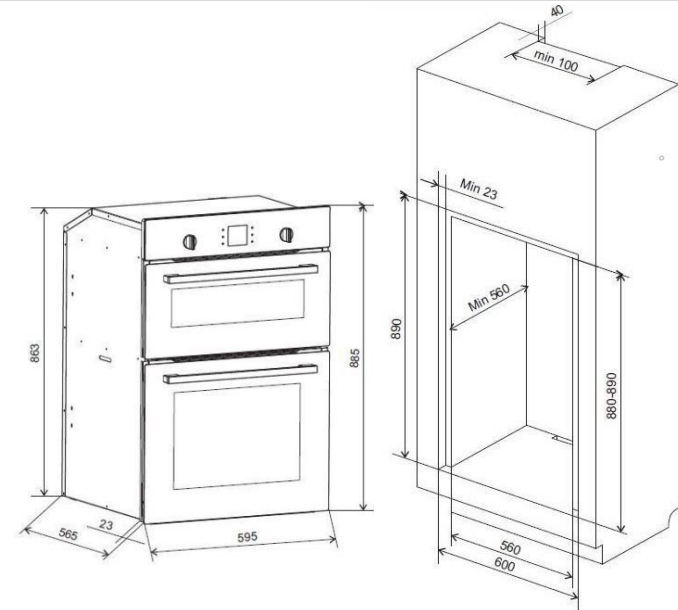


PRODUCT CARD

BROHN 60cm Built-in Double Electric Oven

MODEL: BROD600BLK



D(mm)	W (mm)	H (mm)
565	595	885

Features

Large Oven NET capacity: 38L+73L
 Black Glass Front Panel, Easy operating knob controls, 14 Functions with **InBuilt AirFry mode**
 Programmable clock / cut off timer
 Mechanical Thermostat: 50°C-250°C
 Triple-glazed, easy removable doors and glass
 5 Shelf Levels
 24 hour white LED timer
 Energy Efficiency Class: A
 Black enamelled cavity with easy removable side racks for cleaning convenience

Specifications

Voltage Rating: 220-240 V~ 50/ 60 Hz
 Max Rated Inputs: 3.7kw
 Power Cord: 15 amp 3 Pin Plug
 Temperature Range :50 ~ 250°C
 Product Size D×W×H (mm): 565 x 595 x 885
 Package Size D×W×H (mm): 650 x 665 x 940
 Product Weight: 52 kg/Package Weight: 54 kg

Oven Functions/Accessories

10+4 Cooking Functions:
 Oven Light/Airfry/Grill/Fan Forced
 Fan Grill/Defrost/Top heat/
 Bake heat/Bake/Pizza
 Accessories: Airfry Tray/Oven Shelf/
 Oven Tray & Tray Insert Grill Rack
 Functions & Temperature Control: Knobs
 Timer Control: Digital LED Display
 Oven Cavity: Black Enamel
 Cavity Size: 38L+73 L