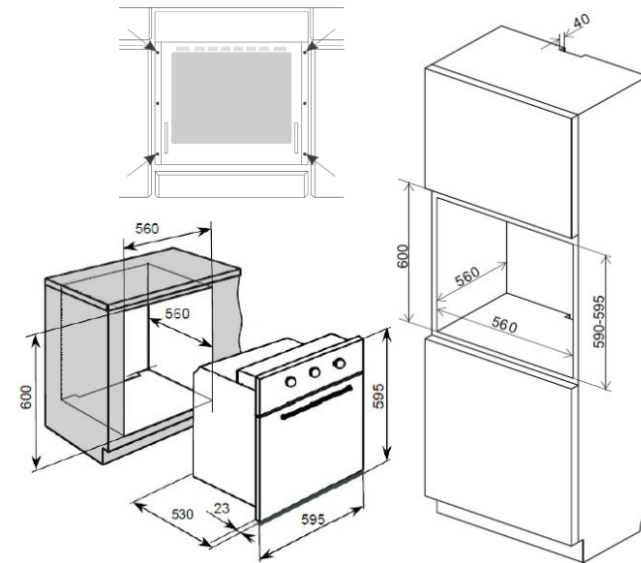


PRODUCT CARD

BROHN 60cm Built-in Electric Oven Stainless Steel 10 Functions with InBuilt AirFry mode

MODEL: BRO6001SS



D(mm)	W (mm)	H (mm)
530	595	595

Features

- Extra Large Oven: 80L Gross
- 10 Functions with Inbuilt AirFry mode
- LED digital timer with easy operating knob control
- INOX Stainless Steel Front
- Programmable clock / cut off timer
- Mechanical Thermostat: 50°C-250°C
- Triple-glazed, easy removable door and glass
- 5 Levels, Extensive range accessories
- 24 hour white LED timer
- Energy Efficiency Class: A
- Black enameled cavity with easy removable side racks, 2 Telescopic Runners

Specifications

- Voltage Rating: 220-240 V~ 50/ 60 Hz
- Max Rated Inputs: 2.9kw
- Power Cord: 15 amp 3 Pin Plug
- Temperature Range: 50 ~ 250°C
- Product Size D×W×H (mm): 595 x 595 x 530
- Package Size D×W×H (mm): 650 x 580 x 655
- Product Weight: 28 kg/Package Weight: 30 kg

Oven Functions/Accessories

- 10 Cooking Functions:
 Oven Light/Defrost/Top heat/Base heat/Bake
 roast/Airfry/Pizza/Fan forced/Grill/Fan grill
- Accessories: Airfry Tray, Oven Tray, Oven Shelf, Tray Insert / Grill Rack/ 2 Telescopic Runners
- Easy to use Functions & Temperature Control Knobs
 Digital Timer with LED Display
- Oven Cavity: Black Enamel
- Warranty: 2 years