



30cm Gas Cooktop 2 Burners Black Glass

TRG302BK



GENERAL

Type	Built-in
Size	30 cm
Finish	Black Glass
Functions	Knob

Technical specification

Voltage Rating	220–240 V AC 50/ 60 Hz
Max Rated Inputs	0.0008KW
Cooking Zones	2 Burner
Mains Supply Lead	3 core x 0.75mm ² (Type RR-F <HAR> marked)
Type	Natural Gas (1.0 KPa) LPG (2.75KPa)
Power Cord	1 m
Mains cable	Yes

COOKTOP

Burner Configuration	2- Gas Burner
Front	1 x 10.8 MJ/h rapid burner (NG)
Rear	1 x 14.4 MJ/h triple crown (wok) burner (NG)
Pan Support Type	Cast Iron Continuous Pan Supports

DIMENSIONS

Cut-Out Dim. (W x H)	268 x 480 mm
Product Dim. (W x H x D)	310 x 520 x 40 mm
Product Weight	7.9 kg
Packed Dim (W x H x D)	335 * 555 *145 mm
Packed Weight	9 kg

KEY FEATURES

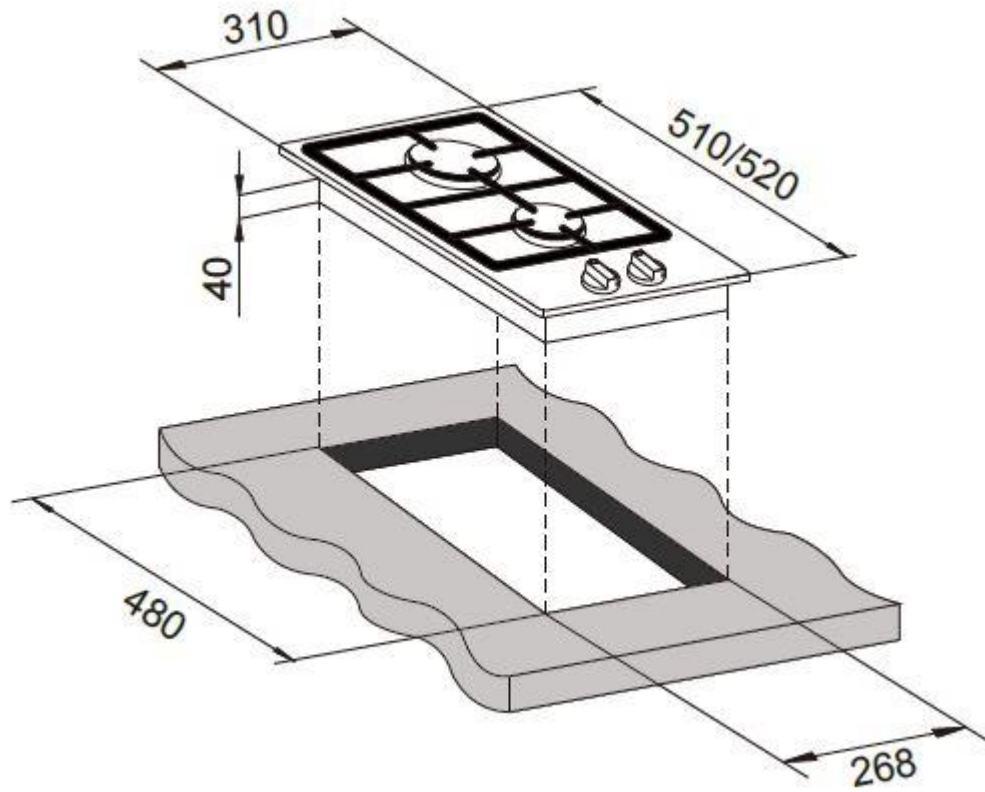
- Front control operation
- Automatic ignition
- Heavy duty metal pan stands
- Flame failure safety device on each burner
- Wok Support
- Cast Iron Trivets
- LPG conversion kit

NOTE TO THE INSTALLER: Dimensions, specifications and drawings not to scale and to assist as a guide only. Trinity Appliances reserves the absolute and unrestricted right to change product materials and specifications, at any time, without notice. Physical product measurements of actual product must be taken prior to installation and making a cutout. Proper installation is the responsibility of the installer. Product failure due to improper installation is not covered under the Product Warranty.

1300615001 | trinityappliances.com.au

© 2021 Trinity Appliances





Product Dimensions

Cut-Out Dimensions

Height: 520mm
 Width: 310mm
 Depth: 40mm

480mm
 268mm

NOTE TO THE INSTALLER: Dimensions, specifications and drawings not to scale and to assist as a guide only. Trinity Appliances reserves the absolute and unrestricted right to change product materials and specifications, at any time, without notice. Physical product measurements of actual product must be taken prior to installation and making a cutout. Proper installation is the responsibility of the installer. Product failure due to improper installation is not covered under the Product Warranty.