

# 90cm Built-in Undermount Rangehood

**TR913B90**

**GENERAL**

Installation	Built-in
Size	90 cm
Material	Stainless Steel
Color	Silver
Control Design	Touch Control Panel with Remote Control

**SPECIFICATIONS**

Fan Speed	3-speed
Exhaust Air Power	1000 cbm/h
Lighting	1.5W LED Strip x 2
Filter	5 layers Aluminium Filter x 2
Flue	
Pipe	

**AVAILABLE ACCESSORIES**

Filter	Carbon Filter CP120 (1 set included)
Flue	No

**POWER / RATINGS**

Voltage Rating	220–240 V~ 50/ 60 Hz
Power Cord	1.5m cable with 3 pin Plug

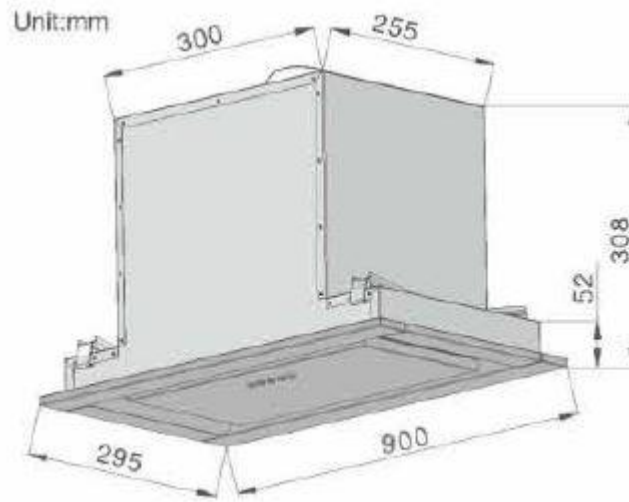
**DIMENSIONS**

Product Dim. (H x W x D)	308 x 900 x 295 mm
Product Weight	11.5 kg
Packed Dim. (H x W x D)	955 x 362 x 375 mm
Package Weight	13 kg

## KEY FEATURES

- Stainless Steel Body
- Touch Control Panel with Remote Control
- Aluminium Washable Filters
- Carbon Filter
- 1000 CBM/H Airflow
- Australian Power Plug
- Powerful 3-Speed Exhaust Motor
- Exhaust Duct Diameter: 150mm

NOTE TO THE INSTALLER: Dimensions, specifications and drawings not to scale and to assist as a guide only. Trinity Appliances reserves the absolute and unrestricted right to change product materials and specifications, at any time, without notice. Physical product measurements of actual product must be taken prior to installation and making a cutout. Proper installation is the responsibility of the installer. Product failure due to improper installation is not covered under the Product Warranty.



## Product Dimensions

Height:	308mm
Width:	900mm
Depth:	295mm

NOTE TO THE INSTALLER: Dimensions, specifications and drawings not to scale and to assist as a guide only. Trinity Appliances reserves the absolute and unrestricted right to change product materials and specifications, at any time, without notice. Physical product measurements of actual product must be taken prior to installation and making a cutout. Proper installation is the responsibility of the installer. Product failure due to improper installation is not covered under the Product Warranty.