

52cm Built-in Undermount Rangehood

TR913B52


GENERAL

Installation	Built-in
Size	52 cm
Material	Stainless Steel
Color	Silver
Control Design	Touch Control Panel with Remote Control

SPECIFICATIONS

Fan Speed	3-speed
Exhaust Air Power	750 cbm/h
Lighting	1.5W LED Strip x 2
Filter	5 layers Aluminium Filter x 2
Flue	
Pipe	

AVAILABLE ACCESSORIES

Filter	Carbon Filter CP120 (1 set included)
Flue	No

POWER / RATINGS

Voltage Rating	220-240 V~ 50/ 60 Hz
Power Cord	1.5m cable with 3 pin Plug

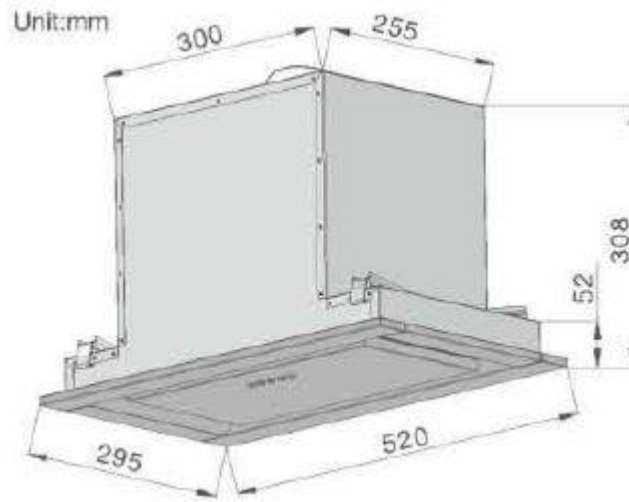
DIMENSIONS

Product Dim. (H x W x D)	308 x 520 x 295 mm
Product Weight	7 kg
Packed Dim. (H x W x D)	575 x 362 x 375 mm
Package Weight	9 kg

KEY FEATURES

- Stainless Steel Body
- Touch Control Panel with Remote Control
- Aluminium Washable Filters
- Carbon Filter
- 750 CBM/H Airflow
- Australian Power Plug
- Powerful 3-Speed Exhaust Motor
- Exhaust Duct Diameter: 150mm

NOTE TO THE INSTALLER: Dimensions, specifications and drawings not to scale and to assist as a guide only. Trinity Appliances reserves the absolute and unrestricted right to change product materials and specifications, at any time, without notice. Physical product measurements of actual product must be taken prior to installation and making a cutout. Proper installation is the responsibility of the installer. Product failure due to improper installation is not covered under the Product Warranty.



Product Dimensions

Height: 308mm
Width: 520mm
Depth: 295mm

NOTE TO THE INSTALLER: Dimensions, specifications and drawings not to scale and to assist as a guide only. Trinity Appliances reserves the absolute and unrestricted right to change product materials and specifications, at any time, without notice. Physical product measurements of actual product must be taken prior to installation and making a cutout. Proper installation is the responsibility of the installer. Product failure due to improper installation is not covered under the Product Warranty.