

# 90cm Wall Canopy Rangehood

TR206A90



## KEY FEATURES

- 0.7 Mm Thickness Stainless Steel
- Touch Control Panel
- 3 S/S Baffle Filters
- 1000 CBM/H Airflow
- Australian Power Plug
- Powerful 3-Speed Exhaust Motor
- Exhaust Duct Diameter: 150mm

### GENERAL

Installation	Wall-Mounted
Size	90 cm
Material	Stainless Steel
Color	Silver
Control Design	Touch Control Panel

### SPECIFICATIONS

Fan Speed	3-speed
Exhaust Air Power	1000 cbm/h
Lighting	1.5W LED Lamp x 2
Filter	Stainless Steel Baffle Filter x 3
Flue	400+400mm Sliding Chimney
Pipe	150mm*1.5m PVC Pipe

### AVAILABLE ACCESSORIES

Filter	
Flue	

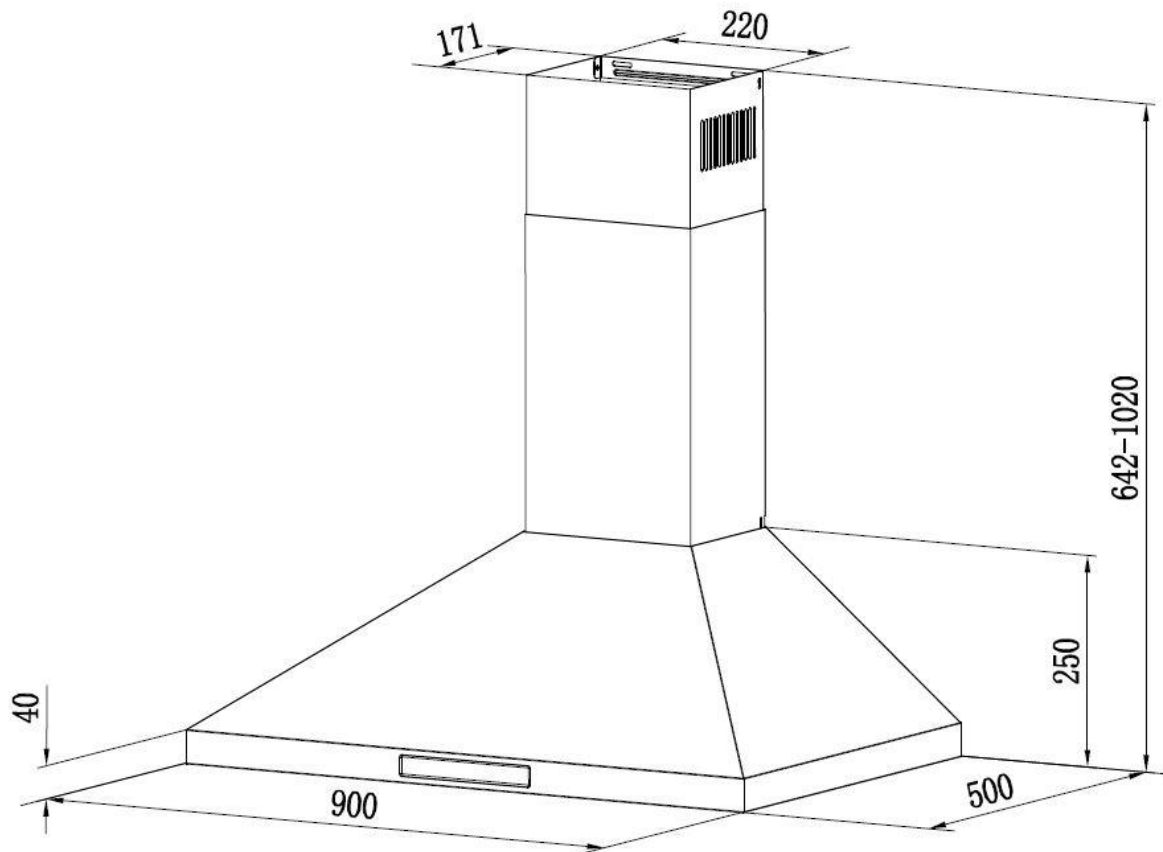
### POWER / RATINGS

Voltage Rating	220-240 V~ 50/ 60 Hz
Power Cord	1.5m cable with 3 pin Plug

### DIMENSIONS

Product Dim. (H x W x D)	642 – 1020 x 900 x 500 mm
Product Weight	9 kg
Packed Dim. (H x W x D)	950 x 320 x 560 mm
Package Weight	11.5 kg

NOTE TO THE INSTALLER: Dimensions, specifications and drawings not to scale and to assist as a guide only. Trinity Appliances reserves the absolute and unrestricted right to change product materials and specifications, at any time, without notice. Physical product measurements of actual product must be taken prior to installation and making a cutout. Proper installation is the responsibility of the installer. Product failure due to improper installation is not covered under the Product Warranty.



## Product Dimensions

Height: 642-1020mm

Width: 900mm

Depth: 500mm

NOTE TO THE INSTALLER: Dimensions, specifications and drawings not to scale and to assist as a guide only. Trinity Appliances reserves the absolute and unrestricted right to change product materials and specifications, at any time, without notice. Physical product measurements of actual product must be taken prior to installation and making a cutout. Proper installation is the responsibility of the installer. Product failure due to improper installation is not covered under the Product Warranty.