



Comfort, Aesthetics and Reliability

User Manual

Undermount Rangehood 52cm & 90cm
Model Code: TR913B52, TR913B90

Please read this manual carefully before using, and keep it for future reference.

CONTENTS

1	PACKAGE	3
1.1	IMPORTANT - CHECK FOR ANY DAMAGE OR MARKS.....	3
1.2	HANDLING.....	3
1.3	UNPACKING.....	3
1.4	BEFORE USING YOUR NEW APPLIANCE	4
2	SAFETY WARNINGS.....	5
2.1	IMPORTANT INFORMATION	5
2.2	WARNING.....	5
2.3	USAGE CONDITIONS AND RESTRICTIONS	7
3	PRODUCT OVERVIEW	8
3.1	LAYOUT	8
3.2	RANGEHOOD COMPONENTS.....	8
3.3	OPTIONAL ACCESSORIES	8
4	INSTALLATION	9
4.1	INSTALLATION WARNINGS	9
4.2	INSTALLATION PREPARATION	9
4.3	POSITIONING THE RANGEHOOD	10
4.4	EXHAUST WAY SELECTION	10
4.5	CABINET INSTALLATION.....	12
5	USING RANGEHOOD.....	14
5.1	CONTROL	14
6	CARE AND MAINTENANCE.....	15
6.1	CLEANING THE ALUMINIUM FILTERS.....	15
6.2	STAINLESS STEEL SURFACES	16
6.3	CONTROL PANEL SURFACE	16
6.4	CHANGING A LIGHT GLOBE	16
6.5	CHARCOAL FILTERS.....	16
7	TROUBLESHOOTING	17
7.1	IN CASE OF EMERGENCY	17
8	TECHNICAL SPECIFICATIONS	19
9	DISPOSAL	20
10	CUSTOMER CARE.....	21

Congratulations on purchasing your new appliance!

We recommend that you read this Instruction and Installation Manual in order to fully understand how to install and operate it correctly. For installation, please read the installation section. Read all the safety instructions carefully before use and keep this User Manual for future reference.

1 PACKAGE

1.1 IMPORTANT - CHECK FOR ANY DAMAGE OR MARKS

Please thoroughly inspect your goods **at the delivery time**, if you notice any damage to your goods:

- Please notify the delivery team at the time of delivery and **do NOT accept damaged product**.
- Please notify us immediately as the problem can be instantly solved and damaged product can be returned to the courier office.

When package is opened, and damage/marks are found on the appliance, it must be reported within 24 hours. Do not install or connect the item and keep the package as it was originally if you wish to claim for damage/marks under the manufacturer's warranty. This does not affect your statutory rights.

Evidence of damage will be required.

1.2 HANDLING

- Do not use cable, door and/or handle to carry or move the appliance.
- Carry out the movements and transportation in the original packaging.
- Pay maximum attention to the appliance while loading/unloading and handling.
- Ensure that the packaging is securely closed during handling and transportation.
- Protect from external factors (such as humidity, water, etc.) that may damage the packaging.
- Take caution while handling and transporting appliance to prevent risk of poor operation due to possibility of bumps, crashes, drops, etc.

1.3 UNPACKING

- During transportation, protective packaging is used to protect the appliance against any damage. After unpacking, please dispose of all packaging in a sustainable and environmentally friendly manner.

- All materials used for packaging are environmentally friendly and are fully recyclable.

CAUTION: *During unpacking, the packaging materials (polythene bags, polystyrene pieces, etc.) should be kept out of reach of children.*

1.4 BEFORE USING YOUR NEW APPLIANCE

- Read this guide, taking special note of the 'Safety Warnings' section.
- Remove any protective film that may still be on your appliance.

NOTE:

This instruction manual has been prepared jointly for multiple models. Some of the specifications explained in the manual, may be slightly different or not be included in your appliance. Pay attention to the explanations with illustrations while reading the manual.

2 SAFETY WARNINGS

2.1 IMPORTANT INFORMATION

Your safety is important to us. Please read this manual thoroughly before you start using the appliance.

The safety precautions instructions reduce the risk of fire, electric shock and injury when correctly complied to.

Please follow all instructions and take notice of all warnings.

This rangehood (cooker hood) is a domestic appliance which has been manufactured and tested to comply with Australian and New Zealand Standard AS/NZS 60335.2.31.

2.2 WARNING

INSTALLATION:

- This rangehood must only be installed in accordance with the instructions provided. Incorrect installation may cause harm to persons, damage to property and void the product's warranty. Read the following carefully to avoid damage or injury.
- Ensure the appliance is connected to a well place earth wiring system, before carrying out any work, repairs or maintenance on this appliance, it has to be disconnected from the mains. If possible switch of the rangehood from the wall before cleaning, failure to do so may result in electric shock or death.
- Never carry out flammable cooking under the cooker hood.
- This cooker hood is suitable for use over barbecues.
- This cooker hood cannot be installed for external use, only to be installed indoors.
- The grease filters must be removed every four weeks (at a maximum) for cleaning to reduce the risk of fire.
- The exhaust from the cooker hood must not be discharged into any heating flue, which may carry combustion products from other sources.
- Exhaust air must not be discharged into a wall cavity, unless the cavity is designed for the purpose.
- There shall be adequate ventilation of the room when the range hood is used at the same time as appliances burning gas or other fuels, not applicable that only discharge the air back into the room.
- Regulations concerning the discharge of air have to be fulfilled.
- There must be adequate ventilation of the room when the cooker hood is used at the same time as appliances burning gas or other fuels.

- Your new rangehood is guaranteed against electrical or mechanical defects, subject to certain exclusions that are noted in the Warranty Terms and Conditions. The foregoing does not affect your statutory rights.
- Always cover lit gas burners with pots or pans when cooker hood is in use.
- Always switch off gas burners before you remove pots or pans.
- Do not leave lit gas burners exposed due to the risk of fire.

ELECTRICAL CONNECTION

Check that the mains voltage matches with the voltage on the data plate inside the cooker hood. Check that the installation complies with standards of local building, gas and electrical authorities. Before connecting to the mains supply, ensure that the mains voltage corresponds to the voltage on the rating plate inside the cooker hood.

WARNING: *If the supply cord is damaged, it must be replaced by the manufacturer or its service agent or similarly qualified person in order to avoid a hazard.*

WARNING: *All electrical work must be done in accordance with local and national electrical codes as applicable and should be undertaken by licensed and qualified professional.*

SAFETY WARNINGS – FOR THE INSTALLER

When installing the cooker hood, make sure you adhere to the minimum and maximum distances from the cooker hood base to the cook top surface as informed below in related chapter.

EXHAUST FLUE INSTALLATION

The following rules must be strictly followed to obtain optimal air extraction.

- Keep exhaust corrugated flue short and straight.
- Do not reduce the size or restrict exhaust corrugated flue.
- Keep bends in the exhaust corrugated flue to a minimum, the more bends the lower the extraction performance.
- When using flexible flue always install duct with helix pulled taut to minimise pressure loss.
- Failure to observe these basic instructions will drastically reduce the performance and increase the noise levels of the cooker hood.
- Exhaust air must not be discharged into a wall cavity, unless the cavity is designed for that purpose. The exhaust from the cooker hood must not be discharged into any heating flue, which may carry combustion products from other sources.

NOTE: *Some installations may require the expandable/telescopic ducting to be cut to length.*

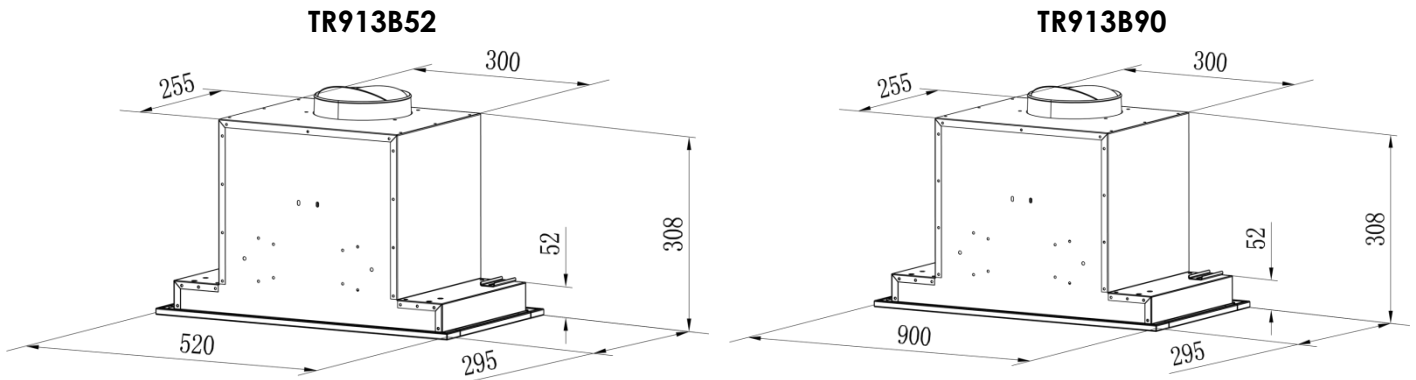
Cut with sharp fin snips or a fine-tooth hack saw blade, taking care not to distort or dent the exhaust cover. Where using expandable ducting, it's important to have the ducting fully taught to maximise efficiency of the airflow.

2.3 USAGE CONDITIONS AND RESTRICTIONS

- Supervision over children is to ensure that they do not play with the appliance. Never allow them to use, play with or crawl inside the appliance.
- Cleaning and maintenance must not be done by children.
- This appliance is not to be used by persons (including children) with reduced physical, sensory or mental capabilities, or lack of experience and knowledge, unless under responsible supervision and instruction to ensure appliance hazards are understood.
- Make sure to read all rules and regulations in this manual. Anyone who is not familiar with this appliance are not to operate it. These instructions do not cover every possible situation or condition as with any appliance. Use extreme caution when installing, operating and maintaining this appliance.
- For domestic use only. It is not to be used for industrial or commercial use.
- Do not use this product for anything other than its intended purpose, and only use it as described in this manual. Do not attempt to alter or modify this appliance.
- Do not allow children to operate or play with this appliance.
- Make sure you do not use the appliance if any part has been damaged. It must only be repaired by a qualified technician. An incorrect repair could expose you to risk of electric shock, fire or injury. If you continue to use the product in such a condition it could cause a fire or electrocution.
- Do not store items on the appliance surfaces.
- Disconnect the appliance from the mains (if it's accessible) before cleaning.
- Do not cover the appliance or power cord in any water or other liquids.
- Do not use any steam cleaning products for the cleaning of this appliance.
- Do not disconnect the appliance by using wet hands, gripping end of plug and forcefully pulling cord to disconnect.
- Do not use appliance if there is a technical fault. All faults must be fixed by a qualified/authorised and licensed person.
- Incorrect use can result in property damage, injury or death. We assume no liability for misuse of the appliance or noncompliance with these instructions.
- Only plug this unit into a properly earthed outlet. If in doubt seek advice from a suitably qualified technician.

3 PRODUCT OVERVIEW

3.1 LAYOUT



3.2 RANGEHOOD COMPONENTS

The Rangehood is supplied with:

- 1 × Rangehood
- 1 × Set of the Installation kit (brackets and fasteners)
- 1 × Carbon filter
- 1 × User Manual

3.3 OPTIONAL ACCESSORIES

Following accessories can be purchased separately via contacting our Customer Service.

- Various ducting solutions (rigid ducting, adapters, vents/outlets and elbow bends)
- Carbon Filter

4 INSTALLATION

4.1 INSTALLATION WARNINGS

Before starting the installation, please refer to the Safety Information section.

- Always switch the power off prior to beginning the installation.
- Ensure to handle appliance carefully as stainless steel can be easily damaged during installation.
- Wherever possible, protect the rangehood with the cardboard box or plastic.
- A power point must be located within 1.5m of the power cord exit from the rangehood, and it should be always accessible to allow isolation from power during cleaning or maintenance.
- A 150mm round ducting adapter is supplied, however all other ducting accessories are not.
- All ducting must comply with building codes and local requirements.
- If you are re-circulating the air, rather than ducting, please ensure that the side outlet grilles are not obstructed in any way as this will affect the efficiency of the rangehood.
- Ensure that the rangehood is mounted in a level position, both horizontally and vertically. This is essential to ensure the rangehood operates correctly and prevents grease build up at one end.

IMPORTANT: Never use a silicone around your rangehood or flue pieces. Never install the rangehood or flue pieces into the plaster ceiling which prevents easy access to the rangehood for servicing requirements.

IMPORTANT: Before installing your rangehood, please record the details of your rangehood's rating label. Usually this label is located inside the chamber behind the aluminium grease filters. This will be helpful should you need to contact for service in the future.

4.2 INSTALLATION PREPARATION

TOOLS AND MATERIAL REQUIRED FOR INSTALLATION

- Duct tape or cable ties
- Ducting relevant to your installation requirements (including any rigid bends, vents and/or adapters)
- Drill and/or screwdriver
- Spirit Level
- Tape Measure

- Jigsaw
- Ladder

4.3 POSITIONING THE RANGEHOOD

IMPORTANT: *The height of the rangehood underside must be a minimum of 600mm to a maximum 800mm from the top of your cooktop surface (for gas cooktops this is the top of the gas burner).*

NOTE: *If the installation instructions for your cooktop specify a greater distance than the minimum, then that shall be the minimum height for installation.*

COOKTOP FUEL TYPE:	DIMENSION A	
	Minimum*	Maximum
Gas (multiple burners with maximum 45.4 MJ/h total output and no single burner exceeding 16.2 MJ/h output)	650mm	800mm
Gas (multiple burners with total output greater than 45.4 MJ/h but less than 77.8 MJ/h, and no single burner exceeding 17.3 MJ/h output)	760mm	800mm
Gas (single burner not exceeding 21.6 MJ/h output)	650mm	800mm
Gas (single burner with an output greater than 21.6 MJ/h but not exceeding 29.2 MJ/h)	760mm	800mm
Electric	600mm	800mm

NOTE: *If the installation instructions for your cooktop specify a greater distance than the minimum, then that shall be the minimum height for installation.*

4.4 EXHAUST WAY SELECTION

Before beginning the installation of the rangehood, the method of ducting should be considered and selected.

NOTE: *This rangehoods can be operated in re-circulation mode.*

For better operation and performance, it is recommended to duct vent outside wherever it is possible. The guide below illustrates the various ducting options. Below information is

only a reference and the most suitable way of ventilation shall be decided by professional installer.

DUCTED INSTALLATION

Before beginning the installation of your rangehood, consider your ducting method.

This rangehood has been supplied with expandable plastic ducting, however for maximum performance we recommend installing with rigid or semi rigid ducting. Use cable ties or suitable duct tape to secure the flexible pipe or ducting to the rangehood duct outlet.

WARNING: *All ducting must be fire retardant.*

Depending on your situation, there are multiple options for ducting your rangehood, as follows:

- Straight up through your tiled or metal roof, using a roof cowl (not supplied with the rangehood).
- Into your ceiling cavity (where compliant with local and national building regulations/codes. Seek approval from the relevant authority or building inspector where necessary.
- Into your ceiling cavity and then vented to the atmosphere through your eaves, using no more than 2 x 90-degree bends within the ducting run.
- Through your wall.

IMPORTANT: *Ducting can have a major effect on your rangehoods performance.*

The following tips outline how to correctly duct your rangehood.

- Always use the correct size ducting. This rangehood is designed for use with 150mm ducting to achieve optimum airflow performance and minimised noise.
- For maximum performance use semi rigid or rigid ducting.
- Always use non-flammable ducting.
- Always duct to the outside atmosphere, unless your local building codes and regulations permit otherwise.
- Where using flexible ducting, always install the ducting pulled taut to minimize pressure loss, and cut any excess ducting off.
- Where possible, avoid using 90-degree bends and in their place use multiple 45-degree bends.
- Keep your total length of ducting to the shortest length possible.
- Ensure there are no kinks in your ducting.
- Use cylindrical ducting whenever possible.

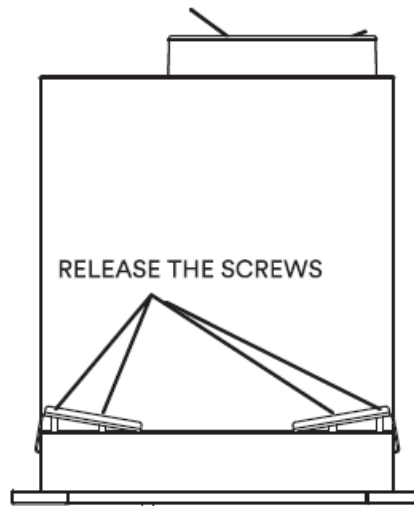
RECIRCULATING INSTALLATION

We recommend ducting your rangehood wherever possible, for the maximum performance, however this rangehood can be operated in recirculating mode. You will need to purchase the relevant Carbon Filter accessory which is available for purchase from our Customer Service Team.

4.5 CABINET INSTALLATION

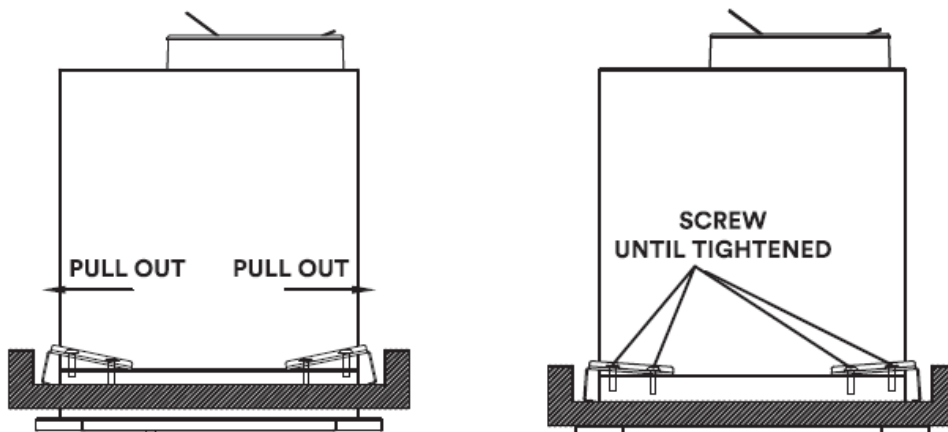
INSTALLING THE RANGEHOOD

- The hanging clip is used for clipping the rangehood on cabinet. Release the screws on the hanging clip before installation.



Put the rangehood into the cabinet.

- Pull out the clip until it can reach the cabinet.
- Screw the clips until tightened.



NOTE:

- These steps should be operated by 2 persons.
- The clips cannot be too near by the cutting edge. Or it may cause a fall risk.

WARNING: *Failure to install the screws or fixing device in accordance with these instructions may result in electrical hazards. The warning shall be in the same part of the instructions that include details of how to mount the equipment.*

5 USING RANGEHOOD

5.1 CONTROL

Your Undermount Rangehood features electronic switch controls (Figure A).



Figure A

⏻ On/Off button

It's used for turning on/off the fan.

+ Speed plus button

For increasing the speed of the fan

- Speed decrease button

For decreasing the speed of the fan.

💡 Light button

8 Digital display

Fan speed display: "1" for Low speed, "2" for Medium speed, "3" for High speed.

Quick timer: Press **+** & **-** hold for 1 second, Digital display will flashing & into 5 minutes count down, after 5 minutes motor & light will turn off automatic & Buzzer sound for 1 second.

6 CARE AND MAINTENANCE

Proper cleaning and maintenance of this rangehood will ensure long fault free operation.

CAUTION:

- Before maintenance or cleaning is carried out, the rangehood should be disconnected from the main power supply. Ensure that the cooker hood is switched off at the wall socket and the plug removed.
- Stainless steel is susceptible to marks and abrasions, so please follow the cleaning instructions to ensure the best possible results are achieved without damage.
- The instructions within this manual must be followed to avoid a fire risk.
- Keep the motor and other spare parts free from water, as this will cause damage to the appliance.
- Damaged power cables should be replaced by a qualified electrician

6.1 CLEANING THE ALUMINIUM FILTERS

- Keeping this filter clean will keep the rangehood extraction performance at an optimum. Please strictly follow the guidelines below.
- Please ensure you never use a corrosive detergent during cleaning.
- To remove the filter, use a finger to pull the small locking latch on each filter to release it from the rangehood body. Be careful, as the filter can easily drop down once released and scratch or damage your cooktop.
- The filters collect grease, smoke and dust so the filter is directly affecting the efficiency of the cooker hood.
- If not cleaned, the grease residue (potentially flammable) will saturate on the filter. Clean it with household cleaning detergent.

Option A: Put the filter into 40–50°C clean water with a small amount of regular dishwashing liquid, and soak for 2–3 mins. Wear gloves and clean with a soft brush. Please do not apply too much pressure, or the baffle filter will damage easy.

Option B: You can wash your rangehood filter in your dishwasher, however please ensure they are not washed at a temperature above 60°C degrees.

CAUTION: *The filters should be cleaned every few weeks of use to prevent fats and oil buildup and condensation. We do not recommend washing the aluminium filters within a dishwasher. This can damage the filter and cause a discolouration of the filter.*

Cleaning the filter every month can prevent risk of fire.

6.2 STAINLESS STEEL SURFACES

Clean stainless-steel surfaces using non-abrasive cleaning products that are specifically designed to be used on stainless steel. To ensure best results, use an even pressure and follow the grain of the stainless steel. Use of a soft cloth reduces the risk of scratching. If the cloth is wet, ensure that a dry soft cloth is also used to wipe down the surface afterwards to reduce the risk of any surface rust appearing. Never use metal pads, chemical, abrasive material or stiff brushes to clean the unit.

6.3 CONTROL PANEL SURFACE

The control panel can be cleaned using warm soapy water. Ensure the cloth is well wrung before cleaning. Use a dry soft cloth to remove any excess moisture left after cleaning.

6.4 CHANGING A LIGHT GLOBE

The LED lights should not require service.

If there is an issue with a light, please contact our Customer Service Team.

6.5 CHARCOAL FILTERS

If your rangehood has been installed in recirculating mode, you should be using the Charcoal Filter accessories available for purchase separately. These filters cannot be re-used or cleaned and as a general rule the activated charcoal filter should be replaced every 3 months (or more frequently depending on the amount and type of cooking you do).

To order a replacement filter, please contact our Customer Service Team.

7 TROUBLESHOOTING

Before calling the customer services, please check that the appliance is correctly connected.

Any of the following cases are not covered by the warranty:

- Damage caused by improper use, storage or maintenance
- Damage caused by unauthorised disassembly and repair
- Damage caused by misuse
- Using the ceramic hob for commercial purposes

7.1 IN CASE OF EMERGENCY

In the event of an emergency you should:

- Switch off all rangehood controls.
- Switch the rangehood off at the power outlet and immediately unplug.
- Contact Customer Service.

Some minor faults can be fixed by referring to the instructions given in the table below.

FAULT	COMMON CAUSE	COMMON SOLUTIONS
The lights work, however the motor does not work	The motor is blocked or jammed.	Switch of the unit, arrange repair by a qualified technician
	The capacitor is damaged.	
Neither the lights nor the motor works	Beside the above mentioned, check the following:	
	Light globes are damaged or blown	Replace the light globe
	The power cord is loose.	Ensure that the rangehood is correctly plugged in and the power outlet is switched on.
The rangehood is vibrating	The rangehood canopy is not fixed correctly.	Ensure that the internal safety screws have been used and are tight.
	The unit is not hung properly on the bracket.	Remove the unit and check whether the bracket is in proper location, replace back ensuring it fully fits the bracket
Insufficient suction	Too long distance between the rangehood and the cooktop	Re-adjust the installation position, ensuring that the minimum distances are observed as per the building code and relevant standards.

	Ducting is loose, kinked, too long or too many bends.	Check that your rangehood has been ducted correctly and in accordance with the installation instructions.
--	---	---

IMPORTANT: *If your appliance appears to be operating incorrectly, then you should disconnect it from your electrical supply and then contact Customer Service.*

WARNING: *Do not attempt to repair the rangehood yourself.*

NOTE: *If a service technician is asked to attend whilst the product is under warranty and finds that the problem is not the result of an appliance fault, then you will be liable for the cost of the service call.*

The appliance must be accessible for the technician to perform any necessary repair. If your appliance is installed in such a way that the technician is concerned that damage will be caused to the appliance or your kitchen, then they will not complete a repair. This includes situations where appliances have been tiled in or sealed in with sealant. Please do not disassemble the unit by yourself to avoid any dangers and damages to the appliance, contact the supplier or Customer Service.

8 TECHNICAL SPECIFICATIONS

TR913B52 SPECIFICATIONS

Model	TR913B52
Dimensions (W × D × H)	520mm × 295mm × 308mm
Cut-out Dimensions (W × D)	485mm × 265mm
Extraction	750 cbm/h
Control	Touch Control Panel with Remote Control
Speed settings	3
Lighting	1x 1.5W Strip LED light
Filters	Aluminium grease filters + Carbon Filter
Power supply	220–240 Volts 50Hz Connects to standard household 10 Amp power line

TR913B90 SPECIFICATIONS

Model	TR913B90
Dimensions (W × D × H)	900mm × 295mm × 308mm
Cut-out Dimensions (W × D)	865mm × 265mm
Extraction	1000 cbm/h
Control	Touch Control Panel with Remote Control
Speed settings	3
Lighting	2 x 1.5W Strip LED light
Filters	Aluminium grease filters + Carbon Filter
Power supply	220–240 Volts 50Hz Connects to standard household 10 Amp power line

NOTE: Weight and Dimensions are approximate. Because we continually strive to improve our products we may change specifications and designs without prior notice.

9 DISPOSAL



This appliance requires special waste disposal. For further information regarding the treatment, recovery and recycling of this product please contact your local council household waste disposal service or the store of purchase.
The packaging materials are recyclable.



10 CUSTOMER CARE

Please be advised that without the proof of purchase, your warranty may not be valid, keep the receipt.

For your convenience, please record:

STORE DETAILS

STORE NAME			
ADDRESS			
TELEPHONE		PURCHASE DATE	

PRODUCT DETAILS

MODEL NO.		
SERIAL NO.		

The warranty will be voided, if not installed by a licensed professional. For your own protection, please record the installer's details:

INSTALLER'S DETAILS

INSTALLER'S TRADE NAME	
TRADE LICENCE No.	
DATE OF INSTALLATION	
INSTALLATION RECEIPT	

For further information on the appliance, service, spare parts or to obtain dimension and installation information, please contact our customer service or visit website.

Please have above information and documents on hands before contacting customer service:

Phone: 1300 615 001

Email: info@trinityappliances.com.au

Web: trinityappliances.com.au

