

TRINITY

**Comfort, Aesthetics
and Reliability**

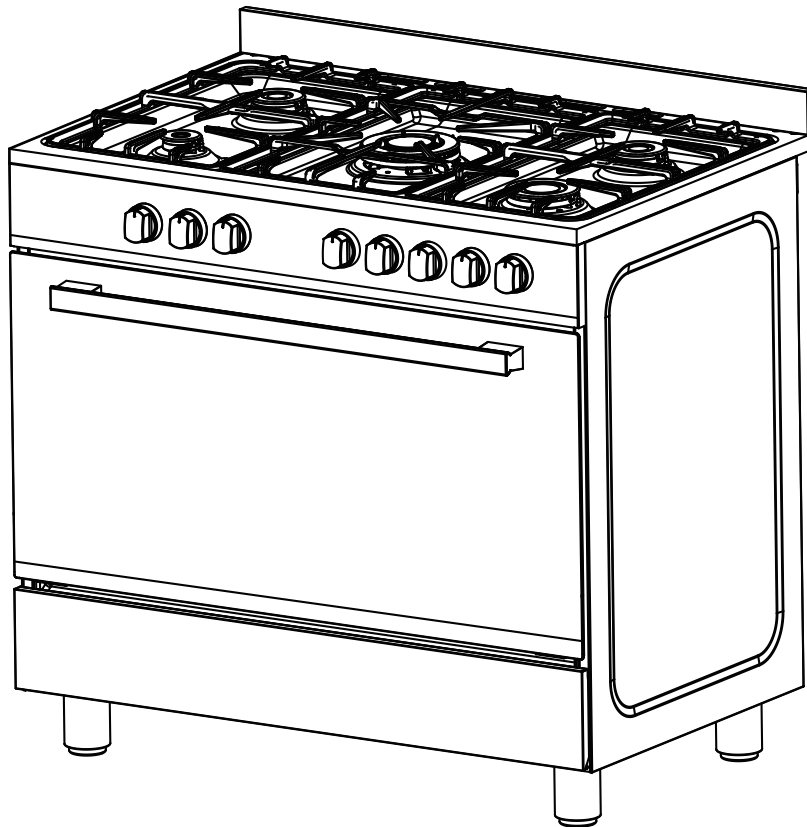
User Manual

90 CM FREESTANDING ELECTRIC OVEN WITH GAS COOKTOP
MODEL: TRFSEGO900

Please read this manual carefully before using, and keep it for future reference.

INSTRUCTION MANUAL

90 cm Freestanding Electric Oven with Gas Cooktop
Models: TRFSEGO900



CONTENTS

1 PACKAGE.....	5
1.1 IMPORTANT - CHECK FOR ANY DAMAGE OR MARKS.....	5
1.2 HANDLING.....	5
1.3 BEFORE USING YOUR NEW APPLIANCE.....	5
2 SAFETY WARNINGS.....	6
2.1 ATTENTION.....	6
2.2 WARNINGS.....	6
2.3 WHEN YOU CALL FOR SERVICE.....	6
3 INSTALLING INSTRUCTION.....	7
3.1 OVERALL DIMENSIONS.....	7
3.2 PROVISION FOR VENTILATION.....	7
3.3 POSITIONING.....	8
3.4 CLEARANCES TO COMBUSTIBLE MATERIALS.....	8
3.5 CLEARANCES TO NON-COMBUSTIBLE MATERIALS.....	8
3.6 FITTING THE SPLASH GUARD.....	9
3.7 STABILITY BRACKET.....	11
3.8 GAS CONNECTION.....	11
3.9 THE HOSE ASSEMBLY.....	12
3.10 VERY IMPORTANT FOR THE INSTALLER.....	13
3.11 GAS CONVERSION AND ADJUSTMENT.....	13
3.12 GAS ADJUSTEMENTS.....	13
3.13 REPLACEMENT OF THE INJECTORS.....	14
3.14 SPECIAL NOTE.....	14
3.15 MINIMUM FLOW ADJUSTMENT FOR HOB-TOPTAPS.....	15
3.16 ELECTRICAL CONNECTION.....	15
3.17 IMPORTANT INFO FOR ELECTRICAL PART.....	15
4 USING INSTRUCTION.....	16
4.1 WARNING:.....	16
4.2 - 1 MINUTE TOUR -.....	17
4.3 HOW TO USE YOUR ELECTRIC OVEN.....	18
4.4 MULTIFUNCTION OVEN.....	18
4.5 GENERAL INSTRUCTION.....	21
4.6 GUIDE FOR CONVENTIONAL COOKING (BAKE).....	21
4.7 PLATE WARMING.....	23

4.8 GUIDE FOR FORCED CONVECTION COOKING.....	23
4.9 USING THE GRILL.....	24
4.10 INSTRUCTION FOR USE OF CONTROL DEVICES.....	25
4.11 OPERATION PANEL AND INSTRUCTIONS.....	25
4.12 CONTROL FUNCTION AND INSTRUCTIONS.....	26
4.13 CONTROL KNOB FOR MINUTE MINDER.....	28
4.14 ACCESSORIES.....	29
ACCESSORYDESCRIPTION.....	29
4.15 USE OF THE ELECTRIC GRILL.....	29
4.16 USING THE ROTISSERIE.....	30
4.17 INSERTING THE ROTISSERIE.....	30
4.18 REMOVING THE ROTARY SPIT.....	31
5 CLEANING.....	32
5.1 NOTE.....	32
5.2 PAN SUPPORTS AND BURNERS.....	32
5.3 DAILY CLEANING.....	33
5.4 CLEANING THE INTERIOR GLASS OF THE OVEN.....	35
5.5 THE INNER GLASS OF THE OVEN WITH FIXING SNAP.....	35
5.6 REMOVAL OF OVEN DOOR.....	36
5.7 TELESCOPIC RAILS.....	37
5.8 DISASSEMBLY OF WORK-TOP.....	37
5.9 GREASING OF TAPS.....	38
5.10 TAP REPLACEMENT.....	38
6 SOME SAFETY POINTS.....	39
6.1 DO NOT USE THE APPLIANCE AS A SPACE HEATER. IF YOU SMELL GAS.....	39
6.2 IF IN DIFFICULTY CALL EMERGENCY SERVICES.....	39
6.3 FOR YOUR SAFETY AND THAT OF YOUR CHILDREN.....	39
7 TECHNICAL DATA.....	40
7.1 TECHNICAL DATA SHEET.....	40
7.2 NOZZLES.....	41
8 PROBLEM SOLVER.....	42
8.1 PROBLEM MIGHT OCCURRED.....	42
8.2 THINGS TO TRY BEFORE CALLING FOR SERVICE.....	42
9 DISPOSAL.....	45
10 CUSTOMER CARE.....	46

1 PACKAGE

1.1 IMPORTANT - CHECK FOR ANY DAMAGE OR MARKS

Please thoroughly inspect your goods *at the delivery time*, if you notice any damage to your goods:

- Please notify the delivery team at the time of delivery and ***do NOT accept damaged product.***
- Please notify us immediately as the problem can be instantly solved and damaged product return to the courier office.

When you open the package and find the appliance is damaged or marked, you must report it within 24 hours. Do not install or connect the item, keep the package as original, if you wish to claim for damage/marks under the manufacturer's warranty. This does not affect your statutory rights.

Evidence of damage will be required.

1.2 HANDLING

- Do not use the door and/or handle to carry or move the appliance.
- Carry out the movement and transportation in the original packaging.
- Pay maximum attention to the appliance while loading/unloading and handling.
- Make sure that the packaging is securely closed during handling and transportation.
- Protect from external factors (such as humidity, water, etc.) that may damage the packaging.
- Be careful not to damage the appliance due to bumps, crashes, drops, etc. while handling and transporting and not to break or deform it during operation.

1.3 BEFORE USING YOUR NEW APPLIANCE

- Read this guide, taking special note of the 'Safety Warnings' section.
- Remove any protective film that may still be on your appliance.
- This instruction manual has been prepared jointly for multiple models. Some of the specifications explained in the manual, may not be included in your appliance. Pay attention to the explanations with illustrations while reading the manual.

NOTE:

This instruction manual has been prepared jointly for multiple models. Some of the specifications explained in the manual, may be slightly different or not be included in your appliance. Pay attention to the explanations with illustrations while reading the manual.

2 SAFETY WARNINGS

2.1 ATTENTION

- This appliance must only be used for the purpose of domestic cooking.
- Before using the appliance, do not forget to remove the
- plastic protective film from parts of the appliance.

2.2 WARNINGS

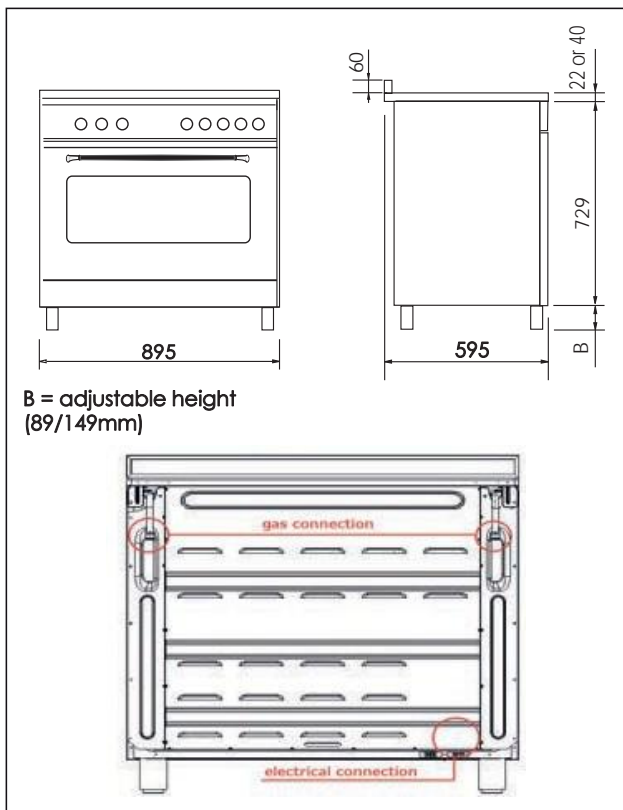
- Accessible parts will become hot when in use. To avoid burns and scalds children should be kept away.
- In order to prevent accidental tipping of the appliance, for example by a child climbing onto the open oven door, the stabilizing means must be installed.
- This appliance is not intended for use by persons (including children) with reduced physical, sensory or mental capabilities, or lack of experience and knowledge, unless they have been given supervision or instruction concerning use of the appliance by a person responsible for their safety. Children should be supervised to ensure that they do not play with the appliance.
- Young children and infirm persons should not be left unsupervised in the vicinity of the appliance.
- Before you use the appliance for the first time, check that the plastic films protecting some parts (fascia panel, parts in stainless steel, etc.) have been removed.
- A steam cleaner is not to be used cleaning this appliances.
- **DO NOT USE OR STORE FLAMMABLE MATERIALS IN THE APPLIANCE STORAGE DRAWER OR NEAR THIS APPLIANCE.**
- **DO NOT SPRAY AEROSOLS IN THE VICINITY OF THIS APPLIANCE WHILE IT IS IN OPERATION.**
- **DO NOT USE THIS APPLIANCE AS A SPACE HEATER DO NOT MODIFY THIS APPLIANCE.**

2.3 WHEN YOU CALL FOR SERVICE

- When you call for service or order parts for your unit, be sure to give:
- MODEL
- SERIAL NUMBER
- COLOUR
- PART NAME and/or description of problem
- YOUR FULL NAME, ADDRESS, and HOME TELEPHONE NUMBER and BUSINESS TELEPHONE NUMBER IF APPROPRIATE.
- Servicing shall be carried out only by authorised personnel.

3 INSTALLING INSTRUCTION

3.1 OVERALL DIMENSIONS



3.2 PROVISION FOR VENTILATION

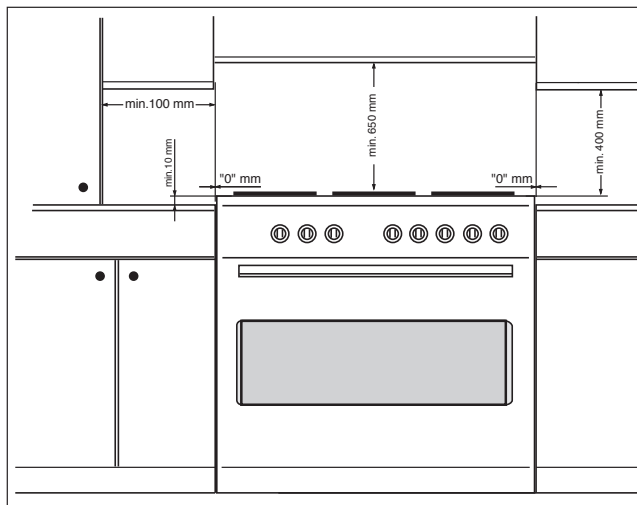
- The room where the Cooker is installed should have permanent ventilation as follows:
- "Ventilation must be in accordance with AS5601/AG 601
- Gas Installations. In general, the appliance should have adequate ventilation for complete combustion of gas, proper flueing and to maintain temperature of immediate surroundings within safe limits. "Do not install in a bed-sitting room, a bathroom or shower room.
- If there is another fuel burning appliance in the same room, a higher level of ventilation will be required, you should consult
- "the safety requirements".
- In addition to the above, during prolonged use, opening a window in the same room is recommended. This will avoid the build up of excessive moisture and condensation.

3.3 POSITIONING

- **Important:** Fix the chain located next to the gas connection on both sides of the cooker to the rear wall to prevent the cooker from tilting. Both chains must be securely fixed.
- Make sure that the wall surface behind the Cooker is non-combustable (will not catch fire).
- Where a painted surface is adjacent, a fire retardent paint surface is recommended. Wallpaper, wood, or fabric should not be used behind or next to the cooker.

3.4 CLEARANCES TO COMBUSTIBLE MATERIALS

- Any adjoining wall surface (side or rear) situated within 200mm of any hob burner must be a suitable non-combustible material from the edge for a height of 150mm for the entire length of the cooker.
- Any combustible construction above the cooker must be at least 650mm above the maintop. Ensure that a power and gas supply are nearby. The Cooker should be located carefully so that the heat produced by it has plenty of space to escape. The diagram below shows an ideal configuration.

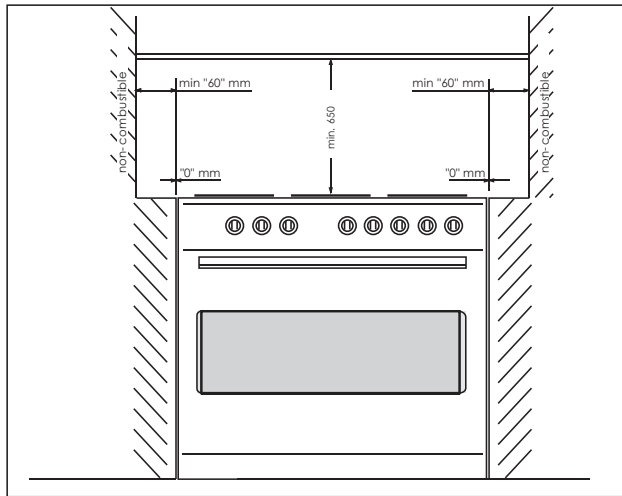


- No part of any adjoining wall surface can be made of combustible materials. The protection of combustible materials required by Clause 5.12.1.1 of AS/NZS 5601 is the fixing of 5 mm thick ceramic tiles to the surface or attaching fire resistant material to the surface and covering with sheet metal with a minimum thickness of 0.4 mm.

3.5 CLEARANCES TO NON-COMBUSTIBLE MATERIALS

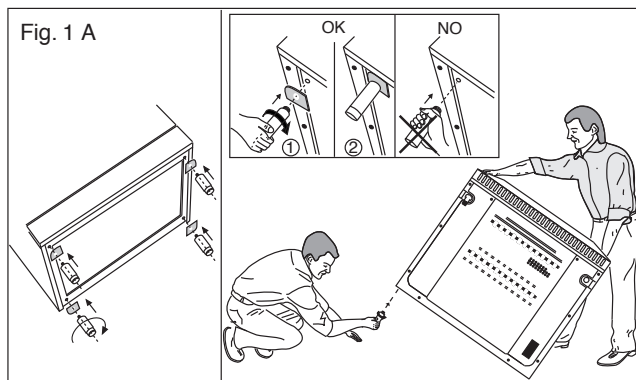
- If the cooker is being fitted next to cupboards or adjoining wall surfaces, which are within 200mm from the edge of the hob burner and of a suitable non-combustible material as specified in AS/NZS 5601, then ensure that a distance of at least 60mm

is left between the edge of the cooker and the non-combustible material. This gap is to allow plenty of space for the heat produced by the cooker to escape on each side of the cooker.



- **Note:**

The cooker is fitted with 4 legs for an eventual alignment in height with the furniture (fig. 1 A).

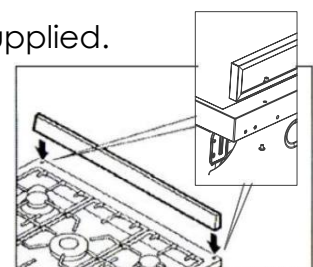


- **WARNING:**

This appliance is not suitable to be installed on a base.

3.6 FITTING THE SPLASH GUARD

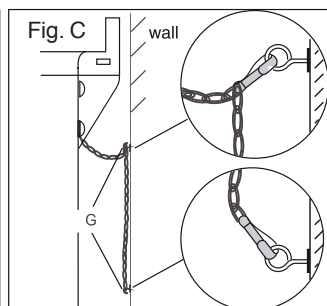
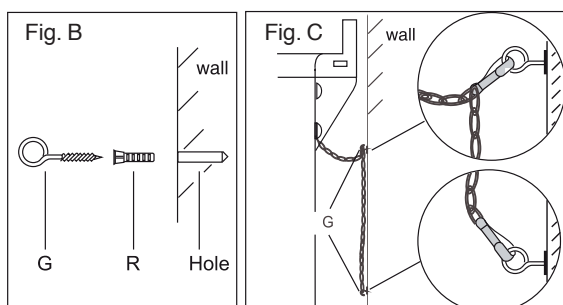
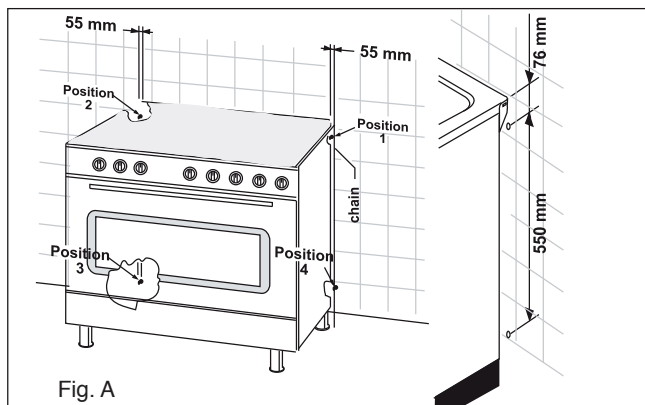
- Depending on the model. Proceed as follows:
- Remove the packaging and the protective film from the splash guard.
- Screw the splash guard onto the rear of the appliance using the 2 bolts.
- Never use with lids or covers aftermarket covers.
- Fix the oven to the rear wall using the chain and screws supplied.



- **WARNING:**

For safety reasons and to prevent tipping of the appliance, these stabilizing means must be installed. The cooker is equipped with 2 chains fixed on each side at the rear of the cooker near the top (see Fig. A). The chains are fitted with "spring clips" which must be clipped to the "screw eyes" provided with the cooker.

- Install the "screw eyes" as follows:
- Drill four 6mm holes (position 1 - 2 - 3 - 4) in the wall as in Fig. A.
- Insert part "R" into the holes then screw in the "screw eyes" part "G" see Fig. B.
- Note: If the part provided is not suitable for the wall material please use an appropriate device to ensure secure holding of the "screw eyes" to the wall.
- Bring the cooker near the wall and clip the chains on the "screw eyes" as in Fig. C.
- **IMPORTANT:** If the cooker is moved for any reason (e.g. maintenance) resulting in the cooker being unclipped from the wall, the cooker must be re-clipped to the wall at the completion of the task.
- A chain should be fitted by the installer within 50mm of the hose connection point to prevent strain on the hose when the cooker is pulled forward. The chain should restrict the appliance movement to no more than 80% of the hose length. After the chain is installed, check that there is no strain on the hose or gas connections when the cooker is pulled as far forward as the chain allows.



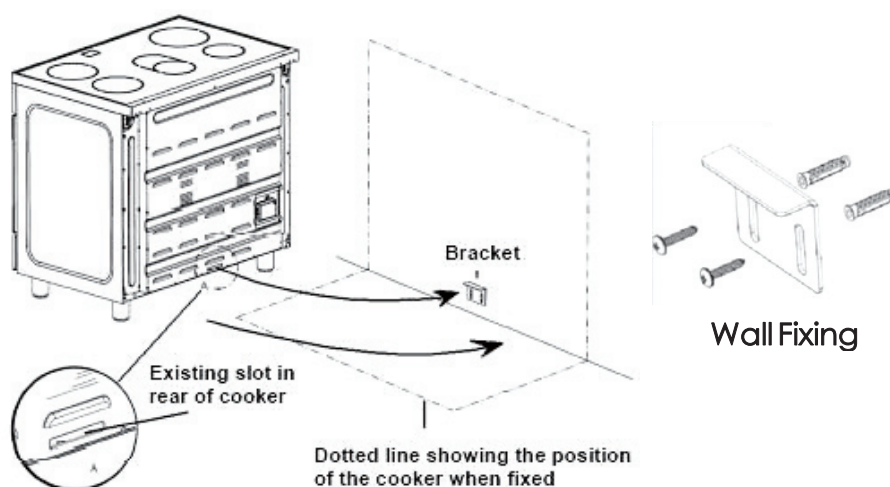
3.7 STABILITY BRACKET

- **WARNING:**

- In order to prevent accidental tipping of the appliance, for example a child climbing onto the open oven door, the bracket must be installed.

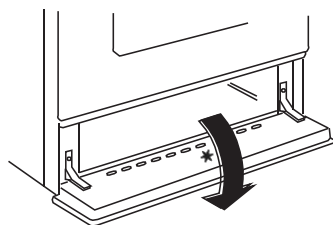
- Note:

If the wall plug provided is not suitable for the wall material please use an appropriate device to ensure secure holding of the "screw" to the wall.



3.8 GAS CONNECTION

- Gas installation must be made in accordance with AS5601; Also refer to range hood manufacturers recommendation. Check gas pressure, note the correct setting from the data plate sealed inside the front appliance drawer *.

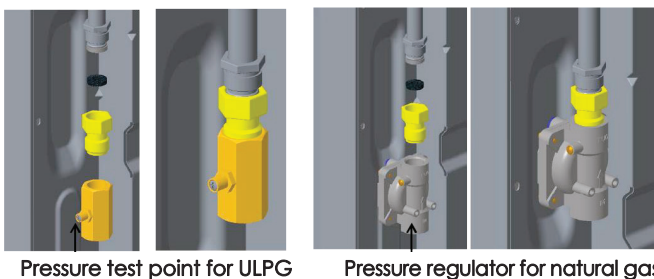


- Installing the gas cooker as follows:
- (Flexible connection are NOT supplied with this appliance)

- An inlet manifold extension pipe must be fitted to the appliance. Part supplied in the drawer of the appliance.
- Ensure that the pipe is connected using the washer provided and that the bracket is screwed to the appliance as shown in the diagram below.
- Fit the supplied pressure regulator (for Natural gas) using the NG test point adaptor and washer to the inlet manifold. Ensure the arrow is pointing towards the appliance and that pressure test point is accessible from the final position.
- Push the cooker back and install the stabilizing chains.
- Connect the appliance inlet manifold to the consumer piping outlet using only fixed piping. This final connection is made when the product is pushed back into position by access under the cooker.

3.9 THE HOSE ASSEMBLY

- must comply with AS/NZS 1869 Class B or D,
- be of appropriate internal diameter 10mm and be kept as short as possible (less than 1.2mm)
- It must not be kinked
- It must not be in contact with hot surfaces.
- IT IS RECOMMENDED THAT A SERVICE TAP AND UNION BE FITTED ADJACENT TO THE APPLIANCE INLET TO FACILITATE FUTURE SERVICING.
- 5 burner models: set the burner pressure to 1kPa for Natural Gas and 2.75kPa for U-LPG with the wok burner operating a full rate'. For commissioning of the appliance with the regulator for Natural Gas, the test point pressure should be 1.00kPa with all burners operating on HIGH.
- Apply a manometer to the test nipple and reset the regulator if necessary. Do not forget to replace the test nipple screw and to leave the instructions book with the user.



- Pressure test point for ULPG
A test point fitting must be installed between the piping and the appliance for the pressure to be checked to ensure it is operating for ULPG at 2.75 kPa. Be aware that the appliance has two gas inlets (L/R). Before performing the leakage test select

which side will be the connection point and cap and pressure test the side that will not be used.

- Pressure regulator for natural gas

A test point fitting must be installed between the piping and the appliance for the pressure to be checked to ensure it is operating for NATURAL GAS at 1 kPa.

Be aware that the appliance has two gas inlets (L/R). Before performing the leakage test select which side will be the connection point and cap and pressure test the side that will not be used.

3.10 VERY IMPORTANT FOR THE INSTALLER

- Do not attempt to turn or stress threaded elbow of the manifold: you risk damage to this part of the gas appliance which may void the manufacturers warranty.
- Before Leaving – Check all connections for gas leaks.
- DO NOT use a naked flame for detecting leaks. Ignite all burners to ensure correct operation of gas valves, burners and ignition. Turn gas taps to low flame position and observe stability of the flame.
- When satisfied with the cooker, please instruct the user on the correct method of operation.
- In case the appliance fails to operate correctly after all checks have been carried out, refer to the authorised service provider in your area.

3.11 GAS CONVERSION AND ADJUSTMENT

- When used with natural gas all burners have been preset at our factory and further adjustment should not be necessary. Conversion kits to other gases are available from the place of purchase. Do not attempt to fit the conversion kit yourself. Conversion to U-LPG gas should only be carried out by an authorized technician.

3.12 GAS ADJUSTEMENTS

- change the injectors
- adjust the minimum flow
- When converting from Natural Gas to U-LPG ensure that the NG regulator is removed and replaced with the Test Point Assembly. A gas regulator suitable for a supply pressure of 2.75kPa should be part of the gas tank supply and should be adjusted with the wok burner operating at maximum.

3.13 REPLACEMENT OF THE INJECTORS

- When required to operate on other gas replace the injectors in accordance with information referred to in chart below.

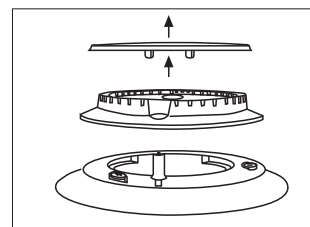
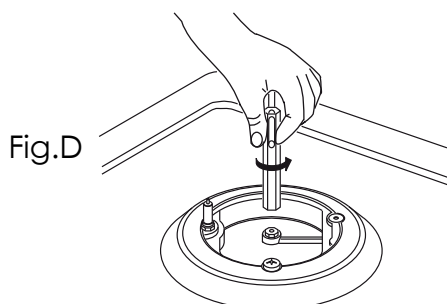
Gas Type	kPa	Jet mm ø	Burners	Power MJ/h
Natural	1.00	1.20	Semi-quick	7.1
		0.90	Auxiliary	4.0
		1.50	Quick	11.0
		1.63	Triple Crown	12.7
U-LPG	2.75	0.73	Semi-quick	7.1
		0.53	Auxiliary	3.7
		0.95	Quick	11.7
		1.00	Triple Crown	13.0
Regulator		NG Regulator	LP Test point adaptor	

Tab.1


- Adjustments, conversions and gas installations must only be carried out by an authorised person.
- After there placement of the injectors, replace also the label of the type of gas.

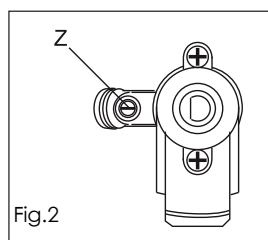
3.14 SPECIAL NOTE



- After installation or any servicing operation, always ensure that the appliance is gas sound and that the components are now operating correctly. Items removed during servicing should be replaced in the reverse order to their removal.
- In order to change the work-top injectors, it is necessary to act as follows:
- remove the grids
- remove burners and flame-spreaders.
- change the injector (see Fig. D) and replace it with another one suitable for the new type of gas (see tab. 1)



3.15 MINIMUM FLOW ADJUSTMENT FOR HOB-TOPTAPS

- In order to adjust the minimum flame setting proceed as follows: switch the burner on, and set the knob at the minimum position . Remove the knob from the tap.
- The minimum adjusting screw «Z» is on the body of the gas tap (fig. 2).



- Unscrew the adjusting screw in order to increase the flow or screw it to decrease the flow.
- The correct adjustment is obtained when the flame has a length of about 3 or 4 mm.
- For butane/propane gas, the adjusting screw must be screwed in tight.
- Make sure that the flame does not go out turning quickly from the max. flow  to the minimum flow .
- Refit the knob again.

3.16 ELECTRICAL CONNECTION

- The appliance must be installed by a suitably qualified person in accordance with these instructions and with the requirements of the Australian Wiring Rules AS/NZS 3000. Fixed wired installations are to be provided with suitable isolation means in accordance with the said rules.
- Any plug socket installed for the purpose of connecting the appliance to supply must be readily accessible when the appliance is installed.
- Before making the connection, make sure that:
 - the safety circuit-breaker and the electrical system are able to withstand the load of the appliance (see nameplate).
 - the power supply system has an earth connection in good working order in accordance with the regulations in force.

3.17 IMPORTANT INFO FOR ELECTRICAL PART

- The wires in the mains lead are coloured in accordance with the following code:

GREEN & YELLOW.....	EARTH
BLUE.....	NEUTRAL
BROWN.....	LIVE
- Electric power 1,5 mm² core cable (15 amp. Fuse required) Should conform to local authority requirements.

- Also refer to rangehood manufacturers recommendations. This appliance is supplied with a plug & cord, simply plug into a 3 pin household socket outlet which is properly earthed.
- If the supply cord is damaged, it must be replaced by an authorised service agent.
- **WARNING:**
THIS APPLIANCE MUST BE EARTHED.
The flexible mains lead and plug must not be in contact with hot surfaces.

4 USING INSTRUCTION

4.1 WARNING:

- Children should be kept away while the oven or grill is in use since accessible parts become hot.



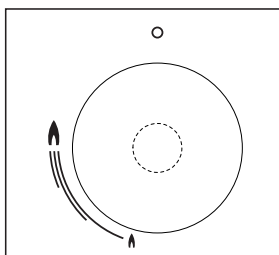
- During use, the appliance becomes hot.
- Care should be taken to avoid touching heating elements inside the oven.
- Do not use oven base panel as a shelf, make use of the oven shelves.
- To avoid splattering and smoke, position collecting tray under the grill with some water in it.
- Always turn pan handles to the side or to the back of the hob. If they are left out into the room they can easily be hit or reached by children, knocking the pan off the hob.
- Don't let children sit down or play with the oven door. Do not use the drop down door as a stool to reach above cabinets.
- Once your cooking is over make sure to close the main gas supply.

4.2 - 1 MINUTE TOUR -

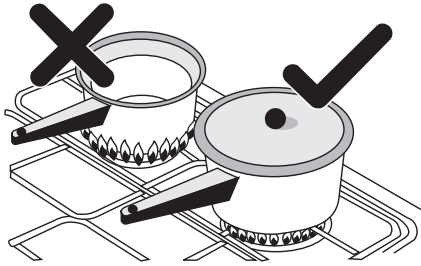
- Be safe
Please read the rest of the instruction book which contains important information to help you use the appliance safely and efficiently.
- Gas and Electricity on
- Make sure that the gas supply is turned on and that the appliance is plugged in and switched on. The ignitor needs electricity.
- In case there is no electric current, the burner can also be lit using a match.
- It is recommended that pans suitable to the size of the burner should be used as follows:

BURNERS	PANS	
	min.	max.
AUXILIARY	80 mm	160 mm
SEMI-RAPID	120 mm	200 mm
RAPIDE	200 mm	230 mm
TRIPLE CROWN	230 mm	260 mm

- Always use pans with a flat base diameter, which are well balanced and stable in use, a pan which overhangs the hotplate should not be used. Avoid using old, misshapen pans, or pans which are unstable when placed on a flat surface. Do not use "split pans" as they are inherently unstable. To save gas, always position pans centrally over the burners and adjust the flames so that they do not lick up the sides of the pan and only the base is heated. Always put lids on saucepans and boil only the amount of liquid you need. When the liquid has boiled adjust the setting to maintain a simmer. Do not light the burner until the pan is in position and turn off the burner before removing the pan. In hard water areas, descale kettles regularly. For safety, keep saucepan handles turned to a safe position so they are out of reach of small children and cannot be accidentally knocked.
- To the burner OFF, turn the control knob clockwise to the OFF setting (marked with a dot ◦.)



- The small flame indicates the 'low position'.
- Turn the knob to it after the contents of a pan have boiled.



- The smaller burners are for smaller pans and simmering. Make sure flames are under the pans. Using a lid will help the contents boil more quickly.
- **WARNING:**
- It is not recommended to press push button for ignition if all the burners are not located in the proper positions. The burner heads, burner skirts and pan supports are removable for better cleaning: Always ensure that the burner skirts and heads are replaced correctly so that the burners function safely and correctly.
- During the use of the appliance pay attention that water or any liquid does not enter into the appliance through the holes of the burners or around the rods of the valves or the push button electronic lighter.
- Water or juice will produce dangerous short-circuits and can seriously damage the working of the Hotplate.

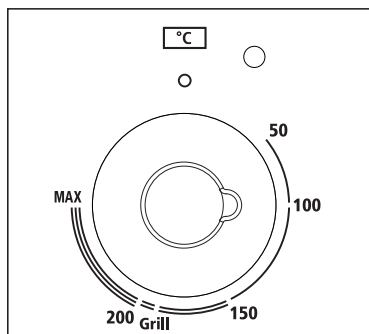
4.3 HOW TO USE YOUR ELECTRIC OVEN

- Before cooking in the first time we recommend that the oven should be operated at 200° C for 30 minutes to remove any manufacturing greases and odours.
- Do not place items or pan directly on to the oven bottom.
- Foil should only be used to cover food and not oven shelves or part of the oven. When used improperly will obstruct the air circulation causing problems in cooking and/or harmful accidents.

4.4 MULTIFUNCTION OVEN

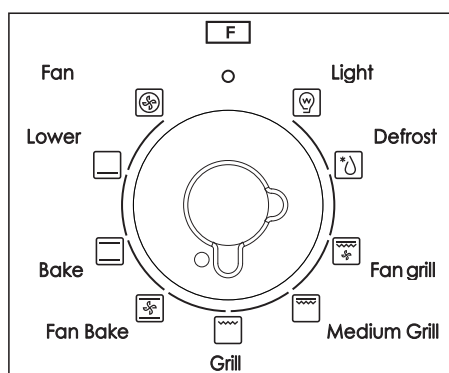
- The oven is fitted with:
 - a lower heating element;
 - an upper heating element;
 - a circular heating element surrounding the fan.
- N.B.: Always set the temperature on the thermostat knob before selecting any of the functions.
- Oven thermostat knob

To obtain an oven temperature between 50 ° C and MAX ° C, turn the knob clockwise.



- Oven function knob

Depending on the type of oven, it is possible to select one of the following functions turning the knob clockwise.



- Note:









All the functions mentioned above switch the oven internal light on. A warning light on the control panel will stay lit until the temperature is reached; after it will light up intermittently. Always use the oven with the oven door closed.

- Use of the oven

Note: ovens with separate thermostat and commutator. When the functions Grill and Fun Grill are used, place the thermostat knob between 180 ÷ 200 ° C as maximum temperature.

- ATTENTION:

The temperature shown on the control panel corresponds to the temperature in the oven centre only when the functions selected are Bake or Fan Oven.

- Light 
When you turn the control knob to this position, the light will be on for all the following operations.
- Defrost 
The air at ambient temperature is distributed inside the oven for defrosting food very quickly.
- Conventional cooking 
Top and bottom heating elements are used together. Preheat the oven for about ten minutes.
This method is ideal for all traditional roasting and baking. For sealing red meats, roast beef, leg of lamb game, bread, foil-wrapped food and flaky pastry. Mid shelf position is recommended.
Fan assist multilevel oven
- Fan assist multilevel oven 
Cooking of similar or different foods placed on different shelves (up to 2 levels at a time).
- Fan cooking 
Both top and bottom heating elements are used and the fan circulates the air inside the oven. Recommended for poultry, pastries, fish and vegetables. Heat penetrates the food better and both the cooking and preheating times are reduced. Different foods can be cooked at the same time in one or more positions. This function provides even heat distribution. Allow about ten minutes extra when cooking foods or more dishes at the same time.
- Lower element 
Using the lower element. Ideal for cooking all pastry based dishes. This allows you to cook dry pastry without over cooking the filling. Use this for flans, quiches, tarts, pâté and any cooking that needs more heat and radiation from below.
- Grill  
Caution: In this function the temperature control knob must be set from 50° C to Grill position. Using the top level element. Five minutes preheating is required to get the element hot. Keep the door closed when using the grill.

- Fan assisted grilling 

Caution: In this function the temperature control knob must be set from 50° C to Grill position. The top heating element is used in conjunction with the fan circulating the air inside the oven. Ideal for cooking thick food stuffs, whole pieces of meat such as roast pork, poultry, etc. Preheating is necessary for red meats but not for white meats. Place the food to be grilled directly on the shelf centrally, at the middle level. Slide the drip tray under the shelf to collect the juices. Make sure that the food is not too close to the grill. Turn the food over halfway through cooking.



- Rotisserie (for some models only)  

The top heating element is used in conjunction with the rotisserie providing the real flavour of a traditional roast.

4.5 GENERAL INSTRUCTION

- Warning: remember ovens get hot; some parts naturally become very hot, notably the glass oven door and the protective strip. Keep children away from oven at all times and warn them about the danger.

4.6 GUIDE FOR CONVENTIONAL COOKING (BAKE)

- (Outer ring of upper electric element and lower electric element ON) The following Cooking Guides give the recommended shelf positions (counted from the bottom), thermostat settings and approximate cooking times for a range of baked items, using the conventional oven, using one tray only. Cooking results are a matter of personal preference and may easily be adjusted to suit individual requirements by slight adjustment of the temperature and or cooking time.
- Preheating of the oven is recommended for 10-15 minutes or until the oven thermostat indicator light switches off to show the selected temperature has been reached.

Food	Thermostat setting °C	Shelf Position (Counted from Bottom)	Cooking Time
Small cakes (12 on tray)	195 °C	3	20 - 30 mins.
Victoria sandwich (2x7"/180mm)	190 °C	3	25 - 35 mins.
Swiss roll or whisked sponge	200 °C	3	20 - 25 mins.
Fruit cake (8"/205mm)	155 °C	2	2 - 3 hours.
Scones	260 °C	3	10 - 20 mins.
Meringues	95 °C	2	2 - 3 hours.
Shortcrust Pastry	210 °C	3	25 - 45 mins. depending
Puff or Flaky Pastry	220 °C	2	20 - 35 mins. upon
Choux Pastry	220 °C	3	25 - 35 mins. dish
Biscuits	200/220 °C	3	15 - 25 mins. depending upon type
Bread	250 °C	2	30 - 40 mins.
Milk pudding	165 °C	2	1 H - 2 hours.
Pizza	270 °C	3	25 mins.
Lasagne	170 °C	3	75 mins.
Oven noodles	160 °C	3	75 mins.
BEEF on bone & crusty (rare)	270 rare	3	12 mins. per 1/b (500 g) plus 12 mins.
(medium)	220 °C	3	15 mins. per 1/b (500 g) plus 15 mins.
(well done)	220 °C	3	20 mins. per 1/b (500 g) plus 20 mins.
	180 °C	3	25 mins. per 1/b (500 g) plus 15 mins.
LAMB on bone	220 °C	3	20 mins. per 1/b (500 g) plus 20 mins.
	170 °C	3	27 mins. per 1/b (500 g) plus 27 mins.
Boned and rolled	220 °C	3	25 mins. per 1/b (500 g) plus 25 mins.
	170 °C	3	35 mins. per 1/b (500 g) plus 20 mins.
PORK on bone	220 °C	3	25 mins. per 1/b (500 g) plus 25 mins.
Boned and roller	180 °C	3	30-35 mins. per 1/b (500 g) plus 35 mins.
VEAL on bone	220 °C	3	25 mins. per 1/b (500 g) plus 25 mins.
Boned and roller	220 °C	3	30 mins. per 1/b (500 g) plus 30 mins.
CHICKEN	220 °C	3	20 mins. per 1/b (500 g) plus 20 mins.
	170 °C	3	25 mins. per 1/b (500 g) plus 25 mins.
TURKEY	220 °C	3	20 mins. per 1/b (500 g)
	170 °C	3	25 mins. per 1/b (500 g)
DUCK	220 °C	3	20 mins. per 1/b (500 g)
	170 °C	3	25 mins. per 1/b (500 g)
GOOSE	220 °C	3	20 mins. per 1/b (500 g) plus 20

- When using a baking tray it should be placed centrally on the oven shelf with the short sides of the tray parallel to the sides of the oven. Do not use trays, tins or dishes larger than 380 mm (15") long, 356 mm (14") wide, as cooking results may be impaired.

4.7 PLATE WARMING

- Ovenproof plates and dishes may be warmed in the oven on a low temperature setting. Remember do not place items directly onto the oven base.
- Warning: do not use foil to cover the oven shelves, or any part of the oven interior including the oven base. Foil should only be used to cover food and cooking dishes. Always place items which may boil over (e.g. fruit pies) on a baking tray to prevent spillage burning onto the oven base. Foil used improperly is frequent cause of oven problems and painful accidents. Avoid letting grease deposit collect around the upper heating element: it will cause smoking and may start a fire. Remember do not place pan or items directly onto the oven base. Never leave unit unattended at high heat settings. Boil over causes smoking and greasy spill over that may start a fire. If a grease fire should occur in a pan put out the flame by placing a lid on the pan. Never throw water on a grease fire. Close the door and turn off the gas supply.

4.8 GUIDE FOR FORCED CONVECTION COOKING

(Back rolled electric element with fan)

- The accessories provided with the oven can be slotted in at 5 positions: the following guide concerns cooking times and thermostat settings using N. 2 shelves on the same time (in position N. 2 and N. 4). Cooked results are a matter of personal preference and may easily be adjusted to suit individual requirements by slight adjustment of the temperature and/or cooking time, or when using more or less shelves in the same time. Preheating of the oven is recommended for 10-15 minutes or until the oven thermostat indicator light switches off to show the selected temperature has been reached.
- When using a baking tray it should be placed centrally on the oven shelf with the short sides of the tray parallel to the sides of the oven. Do not use trays, tins or dishes larger than 380mm (15") long, 356 mm (14") wide, as cooking results may be impaired.

Food	Thermostat setting °C	Cooking Time
Small cakes (12 on tray)	175	15-25 mins.
Victoria sandwich (2x7"/180mm)	170	20-30 mins.
Swiss roll or whisked sponge	180	15-20 mins.
Fruit cake (8"/205mm)	135	1 H - 2 H hours.
Scones	210	8-15 mins.
Meringues	80	1 H - 2 H hours.
Shortcrust Pastry	190	20-40 mins. depending
Puff or Flaky Pastry	200	15-30 mins. upon
Choux Pastry	200	20-30 mins. dish
Biscuits	170/180	10-20 mins. depending upon type
Bread	200/220	25-35 mins.
Milk pudding	150	1 H - 2 hours.
Pizza	250	20 mins.
Lasagne	165	60 mins.
Oven noodles	150	60 mins.
BEEF on bone	230 rare & crusty	9 mins. per 1/b (500 g) plus 9 mins.
BEEF on bone	190 °C (rare)	15 mins. per 1/b (500 g) plus 8 mins.
	190 °C (medium)	20 mins. per 1/b (500 g) plus 10 mins.
	160 °C (well done)	25 mins. per 1/b (500 g) plus 8 mins.
Boned and rolled	190 °C (rare)	20 mins. per 1/b (500 g) plus 10 mins.
	190 °C (medium)	25 mins. per 1/b (500 g) plus 15 mins.
	160 °C (well done)	30 mins. per 1/b (500 g) plus 8 mins.
LAMB on bone	190 °C	20 mins. per 1/b (500 g) plus 10 mins.
	155 °C	27 mins. per 1/b (500 g) plus 14 mins.
Boned and rolled	190 °C	25 mins. per 1/b (500 g) plus 14 mins.
	155 °C	25 mins. per 1/b (500 g) plus 14 mins.
PORK on bone	200 °C	25 mins. per 1/b (500 g) plus 14 mins.
Boned and roller	160 °C	30-35 mins. per 1/b (500 g) plus 18 mins.
VEAL on bone	200 °C	25 mins. per 1/b (500 g) plus 14 mins.
Boned and roller	200 °C	30 mins. per 1/b (500 g) plus 14 mins.
CHICKEN	200 °C	20 mins. per 1/b (500 g) plus 10 mins.
	155 °C	25 mins. per 1/b (500 g) plus 13 mins.
TURKEY	200 °C	18 mins. per 1/b (500 g) plus 14 mins.
	155 °C	23 mins. per 1/b (500 g)
DUCK	200 °C	18 mins. per 1/b (500 g)
	155 °C	23 mins. per 1/b (500 g)
GOOSE	180 °C	18 mins. per 1/b (500 g) plus 20 mins.

4.9 USING THE GRILL

- The grill is situated in the top of the oven compartment.
- The grill pan should be located on the top oven shelf position. Always grill with the door closed.

- Warning:
Do not place fatty foods too close to the grill and never leave the grill unattended. If fatty foods are grilled, or roast has been cooked in the oven at a high temperature the grill element may smoke. This is not dangerous and the smoke is caused by the fat burning off when the grill element is hot. Leave the grill element on until the smoking has stopped then use as normal. If a grease fire should occur in a pan put out the flame by placing a lid on the pan. Never throw water on a grease fire.

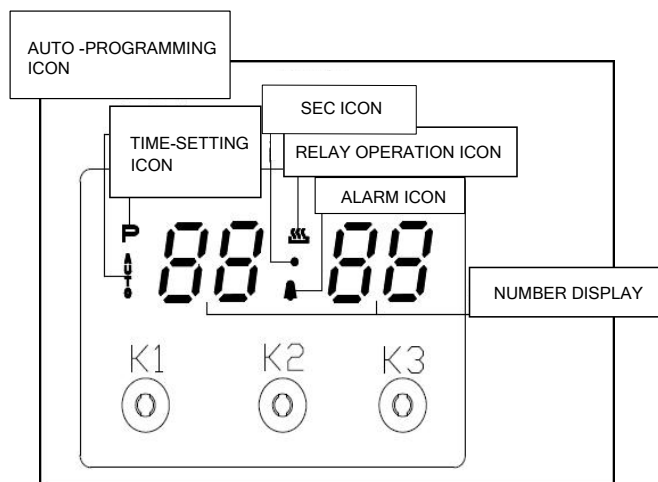
4.10 INSTRUCTION FOR USE OF CONTROL DEVICES

(Depending on model)

- Using the Cooking Programs
Main functions (for some models):
Time function, in 24 hours format.
Make a reservation for the oven work time, and can set anytime in 24 hours.
Set the oven work time, the longest upto 10 hours.

4.11 OPERATION PANEL AND INSTRUCTIONS

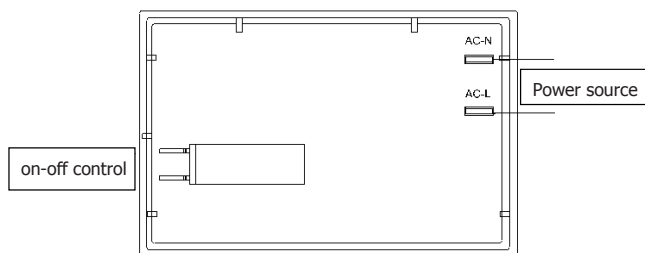
(for some models)



- List of functions
Instructions from left to right:
Key1, Key2, Key3.
Key1 Decrease Key
Key2 Mode Key
Key3 Increase Key
- Note: Press Key 1 and Key 3 under the setting mode, which nchanges the time by one minute either up or down. If keep pressing them, the number will be up or down quickly.

- Icon Instructions
- “Auto-programming icon” : it will flash when setting automatic program and the end of automatic program. If automatic program has been set, after 5s, it will keep lighting up. At the end of automatic program, the flash will be off when resetting the clock or it will keep lighting up when resetting automatic program after 5s.
- “Time-setting Icon” will flash when setting time.
- “Sec Icon” and “Alarm Icon” are flashing under the mode of time setting and alarm setting, after 5s of setting, it will turn to lighting up.
- “Relay Operation Icon” b shows the working state of relays. The icon will keep lighting up if contact are connected, and will be off if contacts are disconnected.
- “Number Display” is LED Nixie Tube.

4.12 CONTROL FUNCTION AND INSTRUCTIONS



- As shown in the picture, on-off control is used to control heating components of oven, the left is power source which can be connected under the 220V.
- Time Adjustment after Starting up
When the power is on, it shows 12:00 and flashes. The relay contact is disconnected, auto-programming icon keeps lighting up, time setting icon flashes. Press K1 or K3 to the time or press K2 to get into the present working mode. The relay contact is connected.
Press K2 by 4 times to get into the present time-setting mode under the common mode.
- Alarm and Buzz Function
Press K2 once under the common mode: "Alarm Icon" flashes."
Press K1 or K3 to adjust the present alarm clock.
5s after adjusting to the time you need, "Alarm Icon" keeps flashing, and will work after setting up. In this case, pressing K1 can know the alarming time(it will show seconds at one ast minute).
When alarm counts down to zero, alarming program ends, alarm icon flashes, and the buzzer os buzzing. Press any key to stop the buzzing or it will turn off automatically after 2 minutes.

- Auto-programming Setting and Instructions

- Semi automatic program mode

- Use this setting for oven working time, automatic heating switch-off at the end of setting time, buzzer will inform the user.

- Press K2 twice or three times to get into the auto-programming time setting, "Auto-programming Icon" flashes. Press K1 and K3 to adjust continuous time and end time.

- 5s after setting, it will work automatically, "Auto-programming Icon" keeps lighting up. If continuous time is 0, turn off the relay contact, and "Relay Operation Icon" is dark, "Auto programming Icon" flashes, the buzzer is buzzing.

This mode's range of continuous time and end time: Adjustment range for continuous time: >0 but <10 hours Adjustment range for end time: present time < end time ≤ present time + 10 hours.

If meet this standard: end time = present time + continuous time.

For example: the present time is 2:00, then the max. end time is adjusted to 12:00 (2:00 10:00 12:00). When the end time is adjusted to 12:00, then the continuous time is 10:00.

5s after adjusted, automatic program is working. After 10 hours, if continuous time is counting down to 0, turn off the relay contact, and "Relay Operation Icon" is dark, "Auto-programming Icon" flashes, the buzzer is buzzing.

- Note:

- only use this setting for either continuous time or end time. For example: the present time is 2:00, and if let the oven work for 3 hours, set the continuous time to 3:00, and the end time will automatically change to 5:00 and vice versa.

- If the continuous time is equal to 0 or the end time is equal to the present time, it means that the automatic program is over.

- When the automatic program is over, the continuous time is 0 and the end time is equal to the present time.

- Automatic Mode

- Use this mode for setting oven's starting time and end time, which means make an appointment to boot. When the time is over, it will automatically turn off the heating and the buzzer is buzzing to inform the user.

- Press twice to get into the continuous time setting mode under the common mode, press three times to get into the end time.

- When the continuous time setting is ok or the end time setting is ok, then press K2 to get into the other kind of automatic program time setting, "Auto-programming

Icon" flashes, press K1 and K3 to adjust continuous time and end time setting mode.

5s after automatic program setting, it will automatically work, and "Auto-programming Icon" keeps lighting up. Turn off the relay contact, and the icon is dark. When work until the starting time, the relay contact is connected, the icon is light. When the continuous time is counting down, if the continuous time is 0, turn off the relay contact, "Relay Operation Icon" is dark, "Auto-programming Icon" flashes, and the buzzer is buzzing.

The continuous time and the end time under this model will be set as follow:
Starting time = end time - continuous time

For example, the present time is 2:00, set the continuous time to 3:00, and the end time to 10:00, then the starting time is 7:00 (7:00 10:00 3:00). The relay contact is connected and its icon is light. After working for continuous 3 hours, the continuous time is 0, turn off the relay contact, "Relay Operation Icon" is dark, "Auto-programming Icon" flashes, the buzzer is buzzing.

- Note:

End time > present time + continuous time, < but 23 hours and 59 minutes

For example: the present time is 2:00, continuous time is 0:01, then the range for end time is 2:02 (2:02 2:00+1).

Continuous time > 1 minute, continuous time and end time both will be set.

If the continuous time is equal to 0 or the end time is equal to the present time it means the automatic program is over.

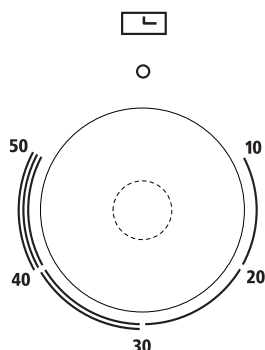
When the automatic program is over, the continuous time is 0, and the end time is the same with the present time.

- Cancel Function

When semiautomatic or automatic function is starting, press K1 and K3 at the same time which can cancel the automatic mode. (to cancel continuous time and end time).

4.13 CONTROL KNOB FOR MINUTE MINDER

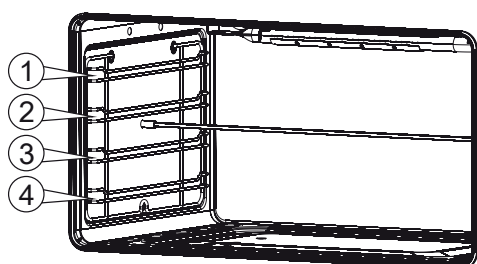
(for some models)





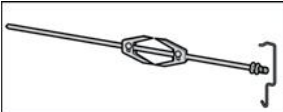
- The minute minder is a countdown timer which emits an audible signal when the cooking time has elapsed.
- The minute minder runs independently of the oven.
- Use this control knob to set the cooking time.

SETTING	MEANING
○	OFF
1-50	Cooking time in minutes

4.14 ACCESSORIES



- The accessories can be inserted in the oven in 4 different shelf positions.
- You can pull the accessories two-thirds of the way out without them tipping. This allows dishes to be removed easily.
- You can buy accessories from the after-sales service or from specialist retailers.

ACCESSORY	DESCRIPTION
	Baking and roasting shelf For ovenware, cake tins, roasts, grilling and frozen meals.
	Enamelled baking tray For moist cakes, pastries, frozen meals and large roasts. Can also be inserted underneath the wire rack or rotary spit and used as a drip tray to collect fat.
	Rotisserie (option) For roasts and large pieces of poultry. Use only in combination with the enamelled baking tray.

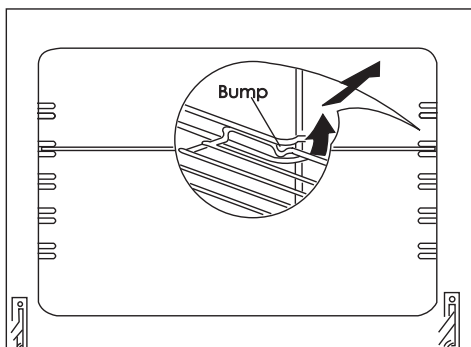
4.15 USE OF THE ELECTRIC GRILL

- USING THE GRILL

Turn the oven knob to the right and place it on the grill position. The grill pan should be located on the top oven shelf position. Always preheat the grill on full for 3-5 minutes before inserting the food.

The user can change the shelves, depending on his personal wishes and on the different food.

- To remove the shelves from the oven, pull them forward you, tilt front end upward and pull them out.
- To replace it in the reverse of above.



- Install shelves by locating them in the horizontal guide rails on the oven walls. The raised portion of the shelf is to be facing the rear wall of the oven.

4.16 USING THE ROTISSERIE

(special for models with rotisseries)

- The rotisserie spit can be used to cook joints such as rolled joints and poultry with excellent results. The meat is roasted thoroughly and evenly.
- Use the rotisserie spit in conjunction with the grill.
- Preparing joints

Place the joint as centrally as possible on the rotisserie spit and secure it at both ends with the retaining clips.

You can also truss the joint with string. With poultry, bind the ends of the wings underneath the back and the thighs against the body. This will prevent them from becoming too dark.

Pierce the skin on the underside of the wings to allow the fat to escape.

4.17 INSERTING THE ROTISSERIE

(special for models with rotisseries)

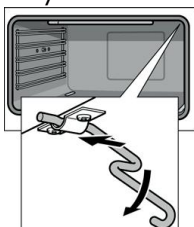
- Insert the rotary spit as follows:
Hook the rotisserie into the bracket on the ceiling of the cooking compartment.
If you require to preheat the oven, hook in the holder before preheating.

Risk of burns ⚠

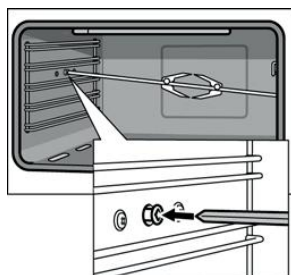
Never touch the hot surfaces of the cooking compartment or the heating elements.

Children must be kept at a safe distance from the appliance at all times.

Open the appliance door carefully. Hot steam may escape.

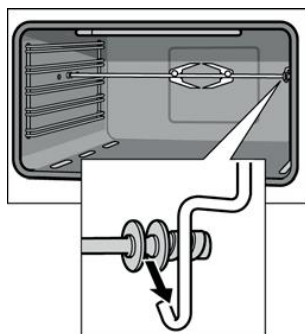


If the oven has been preheated, only attach the rotary spit if you are using an oven cloth or wearing (thermal) oven gloves. To attach the spit, slide one end into the recessed adapter in the left-hand side panel of the cooking compartment.



Hook the other end into the holder.

Pour a little bit of water into the baking tray and slide this into shelf position 1 to collect the run-off fat.



4.18 REMOVING THE ROTARY SPIT (special for models with rotisseries)

Risk of burns. ⚠

Never touch the hot surfaces of the cooking compartment or the heating elements.

Children must be kept at a safe distance from the appliance at all times.

Open the appliance door carefully. Hot steam may escape.

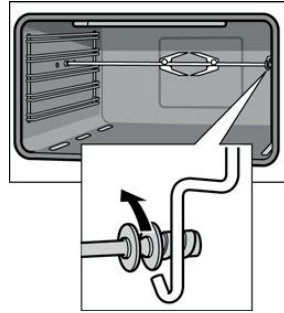
Risk of burns. ⚠

Never touch the rotary spit or other accessories directly when they are hot.

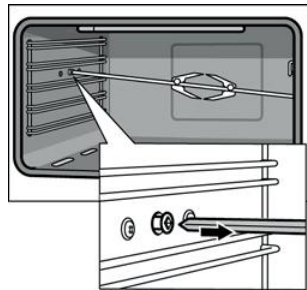
Always wear oven gloves or heat-resistant gloves when handling hot accessories.

- Remove the rotary spit as follows:

Carefully open the appliance door. Carefully remove the rotary spit from the holder.



Carefully withdraw the rotary spit from the recessed adapter in the side panel and remove it from the oven.



Take out the baking tray.

5 CLEANING

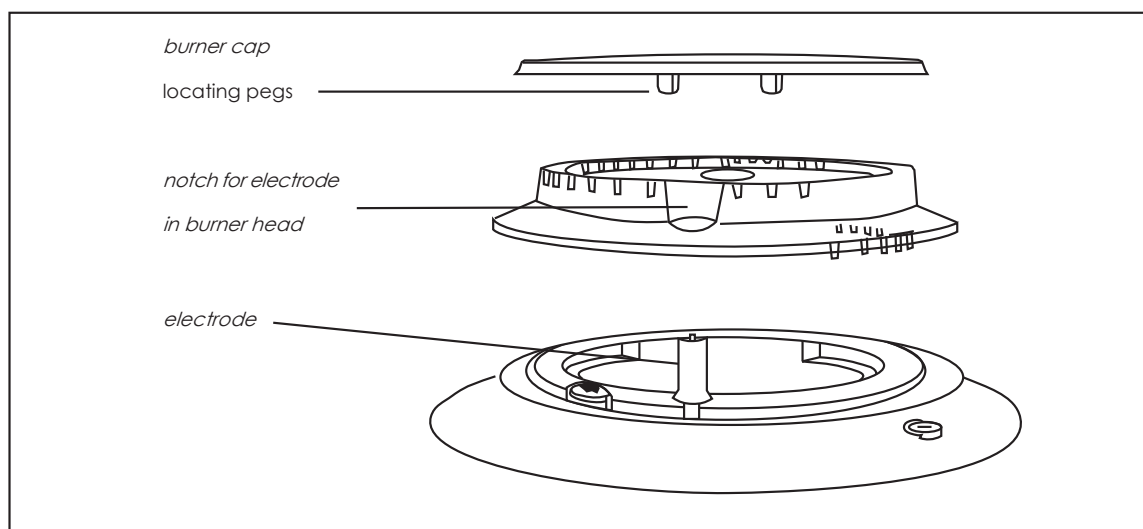
5.1 NOTE

- Before cleaning the appliance, close the gas stopcock and unplug appliance or disconnect power at the main circuit breaker of the electrical system.
- Do not clean the appliance surfaces when still hot.
- Always clean off spillage as quickly as possible to prevent burning on which will make removal more difficult. Wash with a clean cloth soaked in hot soapy water, rinse and dry with a soft cloth.
- DO NOT USE ABRASIVES. CAUSTIC PASTES OR SPRAYS. COARSE CLEANING PADS OR POWDERS. DO NOT USE EXCESSIVE WATER WHEN CLEANING YOUR OVEN IN ORDER TO AVOID WATER PRESSING THROUGH CLEFTS INTO THE BACK OF CONTROLS PANEL OR OF THE UNIT.
- A steam cleaner is not to be used for cleaning this appliance.

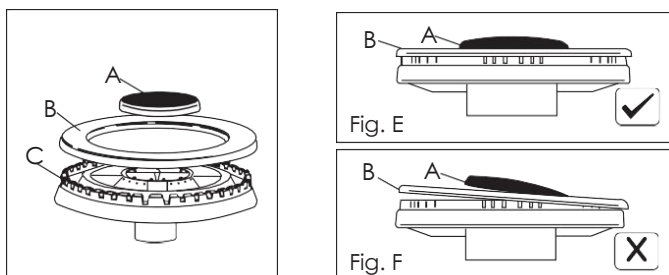
5.2 PAN SUPPORTS AND BURNERS

- The burner heads can be removed for cleaning. NB Do not drop hot burner caps in cold water.
- Because of the rapid cooling they might get damaged.
- Lift off and soak for about 10 minutes in hot water with a little detergent. After having cleaned and washed them, dry them carefully.

- Make sure that no burner holes are clogged.
- Clean the burners once a week or more frequently if necessary.
- Make sure you have reassembled the burners correctly. Pan supports can be washed by hand or in a dishwasher. Remember to remove rubber feet (if fitted) prior to washing. Refit them afterwards.
- Do not use harsh abrasive cleaners or sharp metal scrapers to clean the oven door glass since they can scratch the surface, which may result in shattering of the glass.



- For a triple crown burner, make sure head “C” and covers “A” and “B” are properly placed on their seats as figure E and not off-centered as in figure F



5.3 DAILY CLEANING

- Regular wiping down directly after use prevents dirt from burning on. Clean the appliance with water and a detergent or all purpose cleaner.
- Avoid using too much water to prevent it entering the burner or ventilation openings.
- You can remove the hook-in racks in order to clean them separately.

- The hook-in racks are all fixed to the walls of the cooking compartment at four points.
- To remove the hook-in racks, proceed as follows: (Fig. G)
Undo the screw on the bottom the hooking rack. The lower hooks of the hook-in rack are released.
Take hold of the top of the hook-in rack and screw. On the screw on the bottom the hook-in rack again.
- To reinsert the hook-in racks, proceed as follows: (Fig. H)
Insert the upper hooks into the drill holes in the side panel.
Pull the hook-in rack slightly downwards and insert the lower hooks into the drill holes.

Removing the hook-in racks

Inserting the hook-in rack

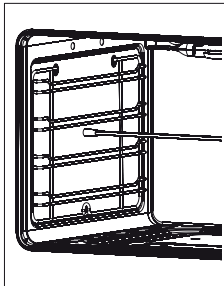
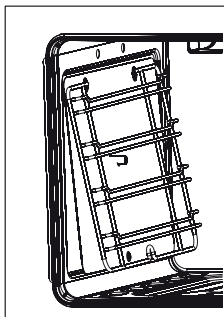


Fig. G

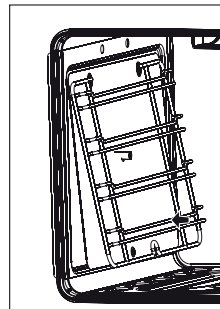
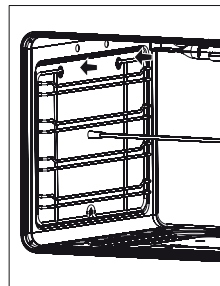


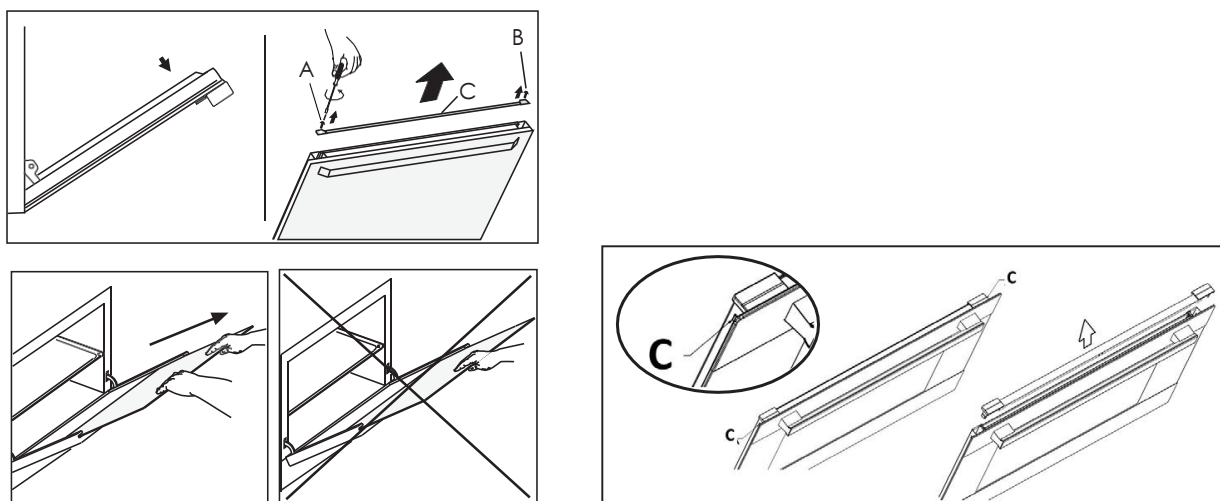
Fig. H

- Oven accessories (shelves, trays etc) should be washed in mild detergent solution and should not be treated with abrasives. The oven interior panels should be cleaned with mild detergent solution, mild cream cleaners or a moist soap pad.
-
- Install shelves by locating them in the horizontal guide rails on the oven walls.
- The raised portion of the shelf is to be facing the rear wall of the oven.
- **IMPORTANT:** Do not use excessive water when cleaning the oven and avoid water passing through the fan grill or ducts in the oven back . Avoid letting grease deposit collect around the upper heating element: it will cause smoking and may start a fire.

5.4 CLEANING THE INTERIOR GLASS OF THE OVEN

- The interior glass of the oven door can be removed: with the door in the semi-open position, use both hands to remove the glass.
- After cleaning, refit the glass by proceeding in reverse order.
- Note:
- In some models, the glass is screenprinted. In this case, when refitting the glass make sure the screenprinted part is legible when the oven door is opened.
- The interior glass of the oven can be removed:
 - open the oven door completely.
 - flip the hinge hooks "A" outwards (see fig. 5B).
 - shut the oven door slowly until it reaches hooks "A", making sure these are locked into slots "B" of the oven door, as shown in fig. 5C.
 - with the door in a semi-open position, remove the screws A and B and the profile C as shown in fig. 4.
 - use both hands to remove the glass as shown in figures 4.
 - after cleaning, refit the glass by proceeding in reverse order.

Fig.4



5.5 THE INNER GLASS OF THE OVEN WITH FIXING SNAP

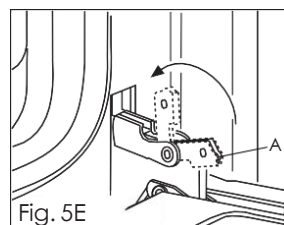
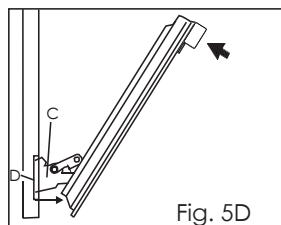
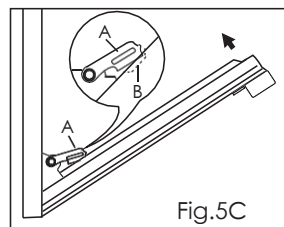
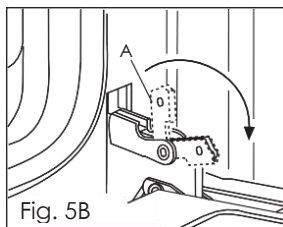
(only for the models where is provided)

- The inner glass of the oven door can be removed:
 - open the oven door completely.
 - flip the hinge hooks "A" outwards (see fig. 5B).
 - shut the oven door slowly until it reaches hooks "A", making sure that hinges are locked into slots "B" of the oven door, as shown in fig. 5C.

- with the door in a semi-open position, press the two buttons C on the upper profile , and extract the profile as shown in fig. 4
- use both hands to remove the glass as shown in figures 4.
- after cleaning, refit the glass by proceeding in reverse order.

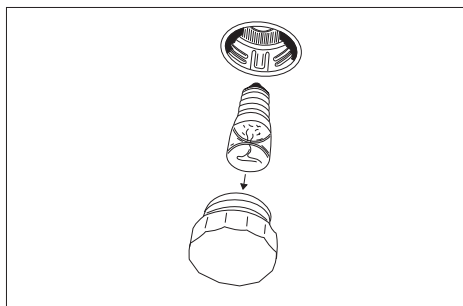
5.6 REMOVAL OF OVEN DOOR

- In-depth cleaning of the oven becomes more convenient if the door is removed following the instructions below:
- open the oven door completely.
- flip the hinge hooks "A" outwards (see fig. 5B).
- shut the oven door slowly until it reaches hooks "A", making sure these are locked into slots "B" of the oven door, as shown in fig. 5C. Remove the glass Fig. 5A (only for models where present).
- Using both hands, push the oven door lightly inwards, to enable the door hinges "C" to come away from the slots "D" (see fig. 5D) and pull the door towards you until it is released from the oven.
- After cleaning it, reposition it correctly following the abovesteps in the reverse order and flipping hooks "A" inwards before you shut the oven door (fig. 5E).



- **CAUTION:** Do not use rough or abrasive materials or sharp metal scrapers to clean the glass doors of the oven since they may scratch the surface and cause the glass to break.
- **WARNINGS:** Before performing any repair or operation, switch the appliance off and close the gas tap.

The manufacturer declines all responsibility for any damage to persons, animals or things caused by failure to observe the rules indicated above. In case it is necessary to repair or replace the inside components, act as follows:



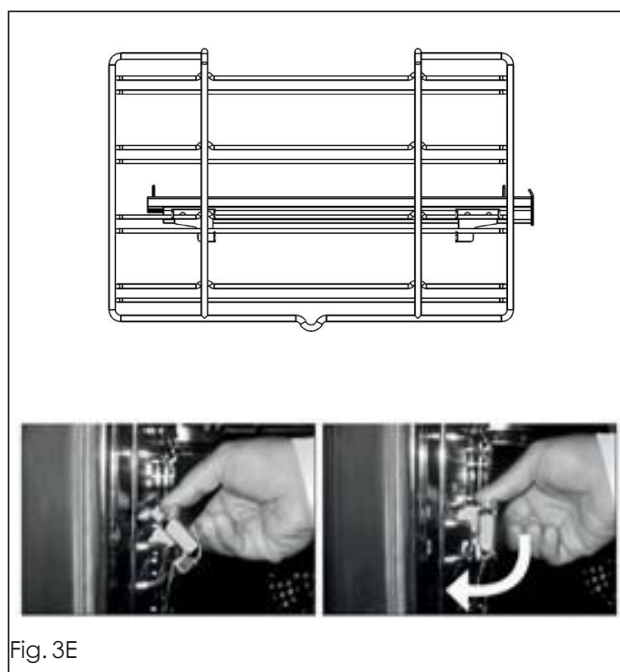
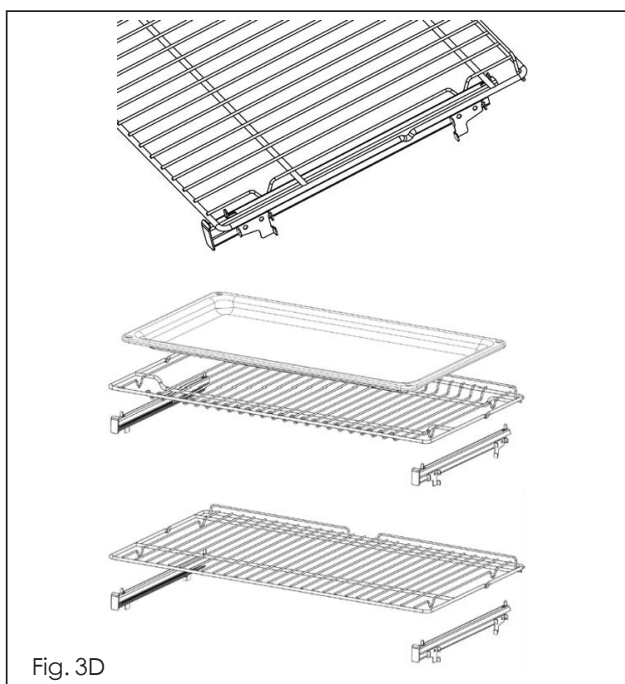
- **WARNINGS:** Isolate the cooker from the electricity supply before attempting to replace the oven lamp.

The oven lamp used is of a special type withstanding high temperatures. To replace it, act as follows: disassemble the protecting glass (A) and replace the burnt lamp with one of the same type. Reassemble the protecting glass.

5.7 TELESCOPIC RAILS

(only for the models where is provided)

- The oven is equipped with telescopic rails to position the pan and wire grid (Fig. 3d).
- You can change the position, depending on your personal taste and needs of different foods (Fig. 3e).



5.8 DISASSEMBLY OF WORK-TOP

- Disassembly of the worktop must only be done by a qualified service technician.
- In case it is necessary to repair or replace the inside components, act as follows:
- Remove the grids, remove burners and flame-spreaders (see fig. 6), unscrew the visible screws "V" placed on the work-top (see fig. 7). Disassemble the work-top by

unscrewing the rear screws "A" (see fig. 8 according to the models). In this way it is possible to lift the work-top and to reach the inside components.

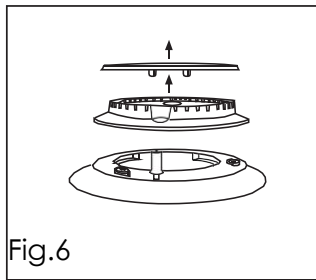


Fig. 6

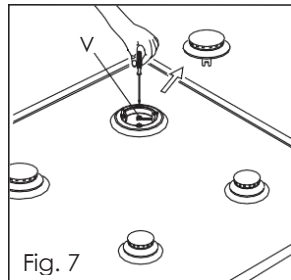


Fig. 7

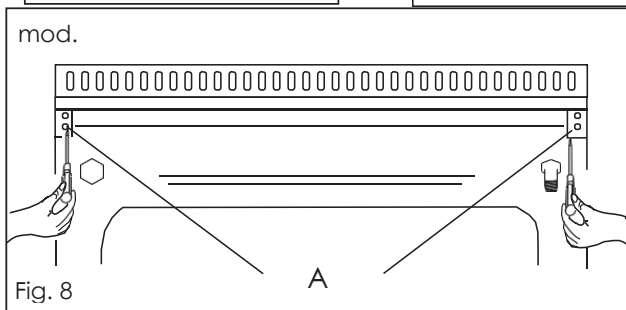
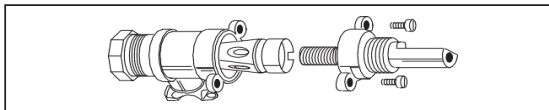


Fig. 8

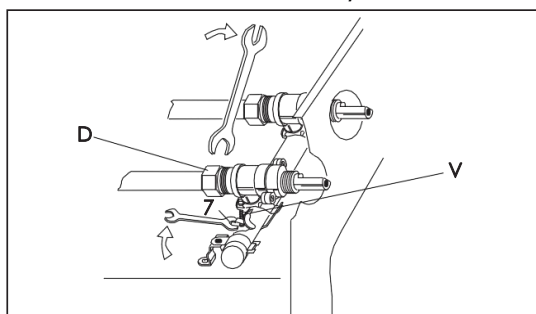
5.9 GREASING OF TAPS

- If a tap becomes hard to be turned, grease it using a specific grease withstanding high temperatures. Act as follows: open the work-top and disassemble also the control panel as described on the previous paragraph. Unscrew the two fixing screws from the burner body (see picture) and remove the cone.



5.10 TAP REPLACEMENT

- Act as follows: open the work-top and disassemble also the control panel as described on the previous paragraph. Unscrew screw nut D of the gas tube supplying the burner. Unscrew screw V fixing the tap to the bridge and remove it (see picture).
- Note: Every time a tap is replaced, it is necessary to replace the seal gasket too. Check the connection seal by means of soapy water.



- Clean the cone and it's slot by means of a cloth soaked with solvent. Slightly grease the cone with the relevant grease, put it in it's slot, and turn it a few times. Remove the cone again, remove the excess grease making sure the gas entries are not obstructed by grease residue. Assemble everything carefully in the opposite direction check the connection seal by means of soapy water.

6 SOME SAFETY POINTS

6.1 DO NOT USE THE APPLIANCE AS A SPACE HEATER. IF YOU SMELL GAS

- Open a window. Do not use any electrical switches. Immediately extinguish naked flames. Isolate appliance from gas mains supplies via the isolation stopcock. Contact local gas authority or emergency services as appropriate. In the event of food fire. Isolate appliance from electric / gas mains supplies if safe to do so. Try to extinguish flames with the appropriate equipment (fire blanket or extinguishing foam). Never use water on cooking fat / oil fires.

6.2 IF IN DIFFICULTY CALL EMERGENCY SERVICES.

- Do not store or use flammable products or aerosol containers near the hotplate or burners.
- Never flambe, under an extractor - even if the ventilator is switched off.
- The high flames can cause fire.

6.3 FOR YOUR SAFETY AND THAT OF YOUR CHILDREN

- Do not store items that are attractive to children above or near the appliance.
- Keep children well away from the appliance:
- Remember that some parts of the appliance and the pans become very hot and dangerous during use, and will take time to cool down.
- When cooking, do not wear clothes that could catch fire and cause serious injury.
- Some "Wok" cooking pots are unstable. Check with the manufacturer before purchasing.
- Avoid using unstable and misshapen pans which may tilt easily and pans with a very small base diameter, e.g. milk pans, single egg poachers. The minimum pan diameter recommended is 125mm (5"). Smaller pans will be unstable.

- Very large pans may cause walls or knobs to overheat. Using pans which are too big may deform the control knobs or discolour the walls. This is not covered by the guarantee.
- Carefully place all pans centrally over the burners.
- Always position pan handles safely away from the front of the hotplate and out of danger, particularly from small children.
- Never leave frying pans with hot oil unattended.
- Pans and kettles with down turned base rims should not be used.
- Simmering aids such as asbestos or mesh mats are NOT recommended. They will reduce burner performance and could damage the pan supports.
- Commercially available foil spillage aids are unnecessary on this hotplate.
- Possibility of tilting



Anti-tip restraint

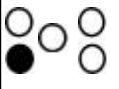
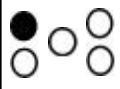
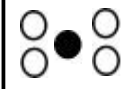

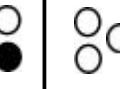


7 TECHNICAL DATA

7.1 TECHNICAL DATA SHEET

PRODUCT	GAS/ELECTRIC COOKER	
MODEL NO.	TRFSEGO900	
VOLTAGE / FREQUENCY	220-240V~ 50Hz-60Hz	
ELECTRIC POWER	2.94kW	
TYPES OF GAS	Natural Gas/ULPG	
GAS PRESSURE	Natural Gas:1.0 kPa/ULPG:2.75 kPa	
TOTAL HEAT INPUT(NG)	41.9MJ/h (hotplate burners)	
TOTAL HEAT INPUT(ULPG)	42.6MJ/h (hotplate burners)	
INJECTOR SIZE(NG)	A:1.5mm 11MJ/h	B: 1.2mm 7.1MJ/h
	C: 1.63mm 12.7MJ/h	D: 0.9mm 4.0MJ/h
	E:1.2mm 7.1MJ/h	
INJECTOR SIZE(ULPG)	A: 0.95mm 11.7MJ/h	B: 0.73mm 7.1MJ/h
	C: 1mm 13.0MJ/h	D: 0.53mm 3.7MJ/h
	E:0.73mm 7.1MJ/h	

7.2 NOZZLES

Model	TRFSEGO900					
Power supply	220 - 240V~ 50Hz- 60Hz/2.94kW					
Heat input(MJ/h) NLPG						Total
	11.7	7.1	13	3.7	7.1	42.6
Heat input(MJ/h) NG	11	7.1	12.7	4	7.1	41.9
Nozzle NLPG diameter(mm)	0.95	0.73	1	0.53	0.73	/
Nozzle NG diameter(mm)	1.5	1.2	1.63	0.9	1.2	/
ADJUSTED FOR LPG 2.75kPa	Replacement of the nozzles must be performed by a qualified person. Once the nozzles have been replaced this label must be affixed to the name plate of the appliance					
ADJUSTED FOR NG 1.0kPa	Replacement of the nozzles must be performed by a qualified person. Once the nozzles have been replaced this label must be affixed to the name plate of the appliance					

Note: The values provided with the appliance or its accompanying documents are laboratory readings in accordance with the respective standards. These values may differ depending on the use and ambient conditions. Figures in this guide are schematic and may not be exactly match your product. We continually strive to improve our products. The specifications and designs might be changed without notice.

8 PROBLEM SOLVER

8.1 PROBLEM MIGHT OCCURRED

- Any of the following are considered to be abnormal operation and may require servicing:
- Yellow tipping of the hob burner flame. Sooting up of cooking utensils.
- Burners not igniting properly. Burners failing to remain alight. Burners extinguished by oven door.
- Gas valves, which are difficult to turn.
-
- Your Installer should be contacted if you have any problems with the installation.
- Before you call a service engineer please check if the problem is something you could fix yourself. The cause of the problem is often a simple one.

8.2 THINGS TO TRY BEFORE CALLING FOR SERVICE

- Burner does not burn well
Is the burner dirty or damp? Try cleaning and/or drying the burner. Appliance not suitable for your gas type? Check the identification plate on the hotplate base.
- Burner does not ignite
Do the burners spark when you press the ignition button? If not is the power on? See 'Checking the power supply' section further on. If the power supply is OK then there is probably something wrong with the ignition system.
Are the electrode or burner slots blocked by debris?
Is the burner dirty or damp? Try cleaning and/or drying the burner. Is the burner trim correctly located?
Are the burner caps correctly located?
Check that there is not a problem with your gas supply. You can do this by making sure that other gas appliances you may have are working.
- Pan supports
Aluminium pans may cause a metallic marking on the pan supports which does not affect the durability of the enamel and may be cleaned off with a metal cleaner such as 'Brasso'.
- Checking the power supply

First check if the main house fuse or circuit breaker has activated. If it's OK, test the power socket with another appliance. If the other appliance works, then unplug the cooker and contact the service agent.

- **Power Failure**

In the event of a failure in the electrical supply the hotplate burners may be lit using a match.

- **Ventilation**

The use of a gas cooking appliance results in the production of heat and moisture in the room in which it is installed. Ensure that the kitchen is well ventilated: keep natural ventilation holes open or install a mechanical ventilation device, (mechanical extractor hood).

Prolonged intensive use of the appliance may call for additional ventilation, for example opening a window, or more effective ventilation, for example increasing the level of mechanical ventilation where present. For more detail see the Installation Instructions.

- **OVEN DOES NOT WORK AT ALL**

First, when the oven is equipped with timer, check appliance is not programmed to turn on later. If it is, turn to manual setting (i.e. hand symbol). If the button or scale on the timer remains in the automatic position after use, the power supply to the oven will be interrupted. Also, check your appliance is switched on at the mains. Next check for an unexpected power strike by switching on adjacent lights etc. Finally, check fuses and plug wiring. If all these prove satisfactory, call for service.

- **LIGHT BULB DOESN'T COME ON**

Check bulb for looseness or burnt out bulb.

Note: bulb replacement is not covered by your guarantee.

- **SMOKE COMING FROM OVEN**

If oven is still relatively new, this problem is invariably due to protective oil on elements. Otherwise, the answer may be oil or fat which has become deposited on the elements during cooking. In either event, continued use should burn away the residues. On future occasions, try to shield food with foil or keep it further away from element, particularly when grilling.

- **CLOCKTIMER DOES NOT WORK**

Check the cord is plugged into outlet completely. Check for a blown fuse or tripped circuit breaker. Check for power outage.

Check step by step operating Instructions on previous pages.

If, after checking through this section, you cannot resolve your problem please call the number on the warranty page in this manual for service and spare parts.

When ordering please quote the appliance name, the colour variant and serial number.

This information can be found on the data plate sealed inside the front appliance drawer.

Maintenance schedule:

To ensure the appliance continues to operate at peak performance, we recommend a routine service call every 2 years for the life of the appliance.

9 DISPOSAL



This appliance requires special waste disposal. For further information regarding the treatment, recovery and recycling of this product please contact your local council, household waste disposal service or the store where you purchased it.

The packaging materials are recyclable.



10 CUSTOMER CARE

- Please be advised that without the proof of purchase, your warranty may not be valid, **keep the receipt**.

For your convenience, please record:

STORE NAME/CONTACT DETAILS:

PURCHASE DATE:

PRODUCT MODEL N:

PRODUCT SERIAL N:

- The warranty will be voided, if not installed by a licensed professional.

For your own protection, please record installer's details:

Installer's Trade Name:.....

Trade Licence N:

Date of Installation:

Installation Receipt:.....

For further information on the appliance, service, spare parts or to obtain dimension and installation information, please contact our customer service or visit website.

Please have above information and documents on hands before contacting customer service

Phone: 1300 615 001

Email: info@trinityappliances.com.au

Web: trinityappliances.com.au



