

# 60cm Built-in Electric Double Oven

## TROD600BK



### KEY FEATURES

- Air Fry function with mesh airfry tray included
- Large Oven NET capacity: 73L
- 10 Functions with easy operating knob control
- Programmable clock / cut off timer
- Mechanical Thermostat: 50°C-250°C
- Triple-glazed, easy removable door and glass
- 5 Shelves
- 24 hour white LED timer
- Black enamelled cavity with easy removable side racks
- Energy Efficiency Class: A

#### GENERAL

Type	Built-in
Size	60 cm
Finish	Stainless Steel & Black Glass
Side Walls	Stainless Steel
Functions & Temperature Control	Knobs
Timer Control	Digital LED Display
Handle	Aluminum Matt
Knobs	Solid Aluminum Outer Shelf

#### OVEN FUNCTIONS

Knob Control	Yes
Cooking Functions	4 (Top Oven) + 10 (Bottom Oven)
Oven Light	Yes
Airfry	Yes
Grill	Yes
Fan Forced	Yes
Fan Grill	Yes
Defrost	Yes
Top Heat	Yes
Bake Heat	Yes
Bake	Yes
Pizza (Bake Heat with Fan Forced)	Yes
Convection Rotisserie	No
Grill with Rotisserie	No

#### TEMPERATURE SELECTOR

Knob Control	Yes
Temperature Range	50 ~ 250°C

#### PROGRAMMABLE TIMER / DISPLAY

Timer	24 hour
Display	White LED Display

#### ACCESSORIES / OVEN CAVITY

Airfry Tray	Yes
Oven Tray	Yes
Oven Shelf	Yes
Tray Insert Grill Rack	Yes
Oven Cavity	Black Enamel
Cavity Size	38 +73 litres

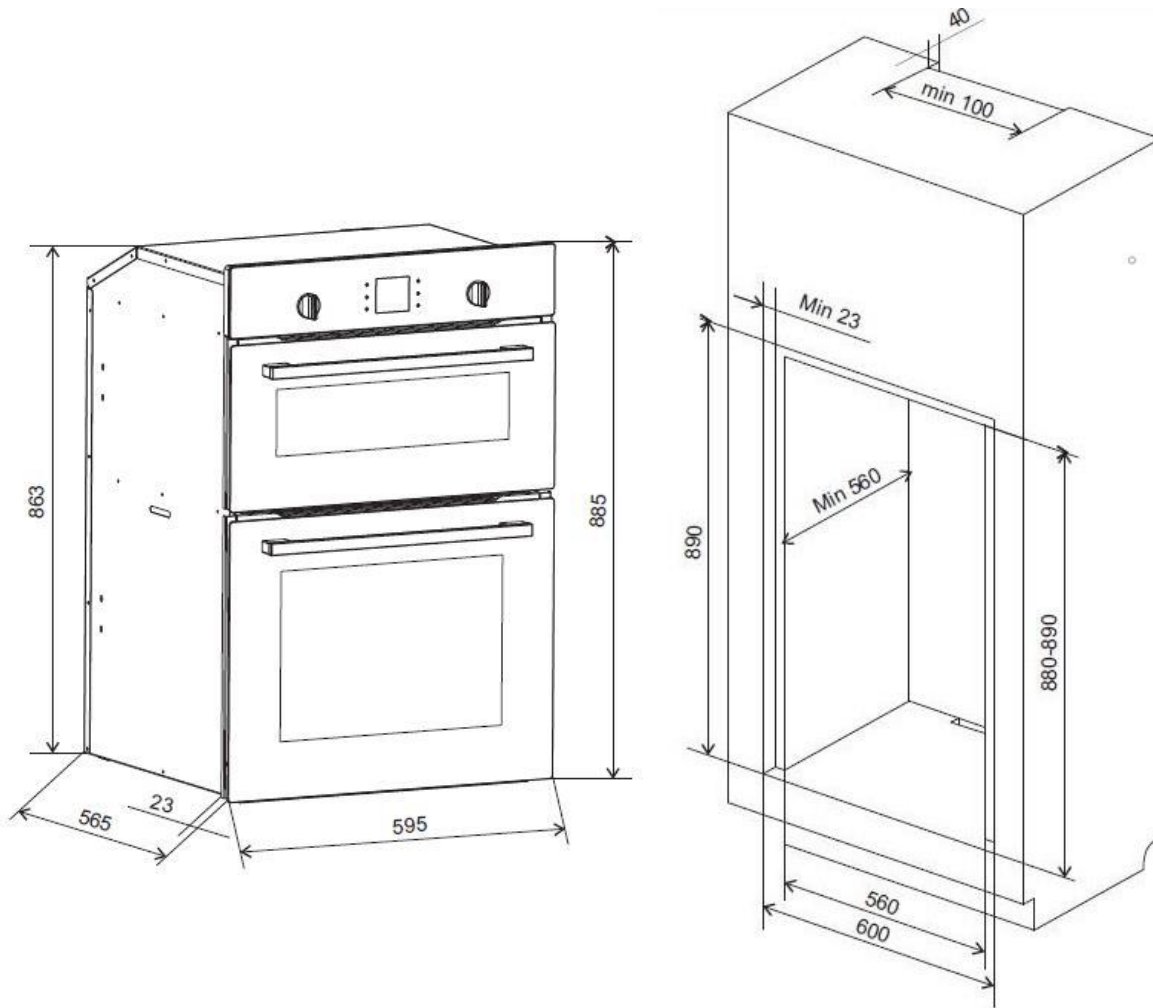
#### POWER / RATINGS

Voltage Rating	220-240 V~ 50/ 60 Hz
Power Rating	Max. 3.7kw
Power Cord	3 Pin Plug
Energy Rating	A

#### DIMENSIONS

Cut-Out Dim. (H x W x D)	880-890 x 560 x 560 (min) mm
Product Dim. (H x W x D)	886 x 595 x 565 mm
Product Weight	52 kg
Packed Dim. (H x W x D)	mm
Package Weight	54 kg

NOTE TO THE INSTALLER: Dimensions, specifications and drawings not to scale and to assist as a guide only. Trinity Appliances reserves the absolute and unrestricted right to change product materials and specifications, at any time, without notice. Physical product measurements of actual product must be taken prior to installation and making a cutout. Proper installation is the responsibility of the installer. Product failure due to improper installation is not covered under the Product Warranty.



## Cut-Out Dimensions

Height:	886mm	880-890mm
Width:	595mm	560mm
Depth:	530mm	560mm (min)

NOTE TO THE INSTALLER: Dimensions, specifications and drawings not to scale and to assist as a guide only. Trinity Appliances reserves the absolute and unrestricted right to change product materials and specifications, at any time, without notice. Physical product measurements of actual product must be taken prior to installation and making a cutout. Proper installation is the responsibility of the installer. Product failure due to improper installation is not covered under the Product Warranty.