

# Trinity 60cm Freestanding Dishwasher

**TRDWFS6014**



## KEY FEATURES

- 14 place setting capacity
- 6 wash programs
- Stainless steel finish
- Removable cutlery basket
- Height Adjustable Upper Basket
- 3/6/9 Hour delay start
- LED display
- 3 Layer basket
- Half Load function
- Child Lock
- Anti-leak device
- Anti-flood device

### GENERAL

Dishwasher type	Freestanding
Installation Type	Freestanding / Under-Benchtop (Lid Removed) 815mm - 845mm
Size	60 cm
Finish Colour	Stainless Steel
Finish Colour Description	Stainless Steel Control & Door Panel with Silver Cabinet
Interior	Stainless Steel
Control Panel	Electrical Push Button
Display Panel	LED
Heating	Concealed Heating Element
Water Inlets	Cold Only
Cutlery Drawer	Yes
Accessories included	1 x Inlet Cold water Hose, 1 x Drain Hose

### WARRANTY

Manufacturer Warranty	2 Years
Warranty Note	2-Year Domestic Warranty on all Parts & Labour

### SPECIFICATIONS

Capacity	14 Place Settings
Wash Programs	<ul style="list-style-type: none"> <li>• Intensive</li> <li>• Eco</li> <li>• 90 Minute</li> <li>• Rapid</li> <li>• Normal</li> <li>• Glass</li> </ul>
Extra Functions	Extra Drying
Water Consumption Use	12.3 Ltr/Cycle
Water Pressure	0.04-1.0MPa=0.4-10 bar
WELS Registration	D02636
Noise Level	49 dB

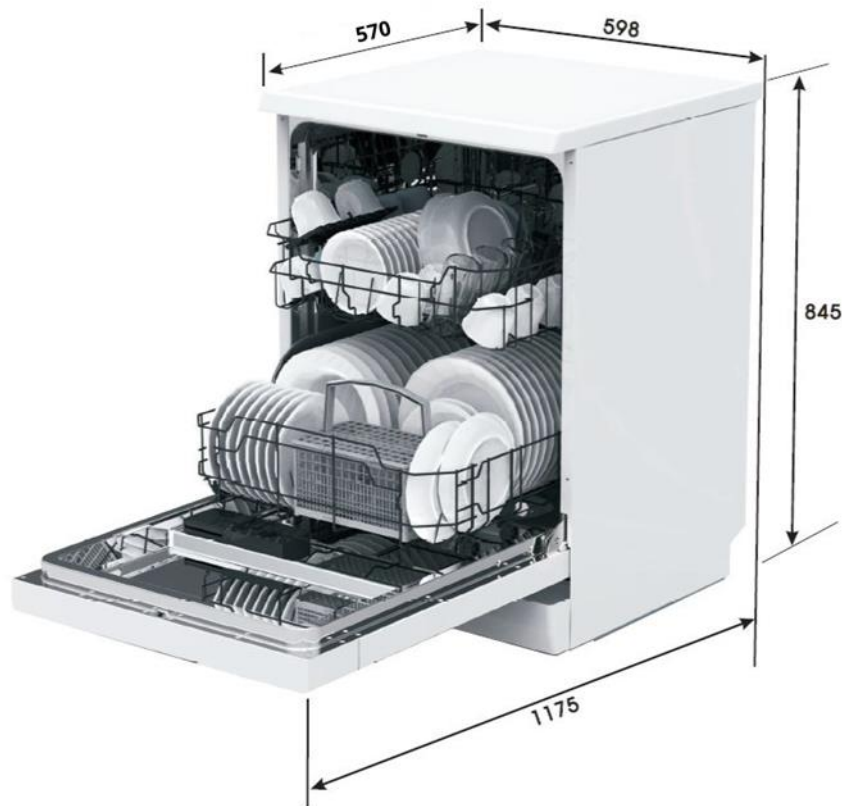
### POWER / RATINGS

Voltage Rating	220-240 V~ 50/ 60 Hz
Power Rating	Max 2.1 kW
Type Of Connection	10A plug & lead
Connection Requirements	This product requires a 10amp electrical connection
Length Of Cord	1.5 m
Energy Rating	3.5 Stars
Water Rating	4.5 Stars

### DIMENSIONS

Product Dim. (H x W x D)	815 x 598 x 570 mm (without top lid) 845 x 598 x 570 mm (with top lid)
Product Weight	44 kg
Packed Dim. (H x W x D)	871 x 645 x 645 mm
Package Weight	50.5 kg

NOTE TO THE INSTALLER: Dimensions, specifications and drawings not to scale and to assist as a guide only. Trinity Appliances reserves the absolute and unrestricted right to change product materials and specifications, at any time, without notice. Physical product measurements of actual product must be taken prior to installation and making a cutout. Proper installation is the responsibility of the installer. Product failure due to improper installation is not covered under the Product Warranty.



## Product Dimensions

Height: 815mm (845mm with top lid)

Width: 598mm

Depth: 570mm (with the door closed)

Depth: 1175mm (with the door opened 90°)

NOTE TO THE INSTALLER: Dimensions, specifications and drawings not to scale and to assist as a guide only. Trinity Appliances reserves the absolute and unrestricted right to change product materials and specifications, at any time, without notice. Physical product measurements of actual product must be taken prior to installation and making a cutout. Proper installation is the responsibility of the installer. Product failure due to improper installation is not covered under the Product Warranty.