

60cm Freestanding Dishwasher

TRDWFS6012



KEY FEATURES

- 12 place setting capacity
- 6 wash programs
- Stainless steel finish
- Removable cutlery basket
- 3/6/9 Hour delay start
- LED display
- 2 Layer basket
- Half Load function
- Child Lock
- Anti-leak device
- Anti-flood device

GENERAL

Type	Freestanding / Built-in
Size	60 cm
Interior	Stainless Steel
Color	Silver
Display	LED

SPECIFICATIONS

Control Design	Push Button
Capacity	12 Place Settings
Wash Programs	<ul style="list-style-type: none"> • Intensive • Eco • 90 Minute • Rapid • Normal • Glass
Extra Functions	Extra Dry
Water Consumption Use	12.3L
Water Pressure	0.04-1.0MPa=0.4-10 bar
WELS Registration	
Noise Level	49 dB(A) re 1 pW

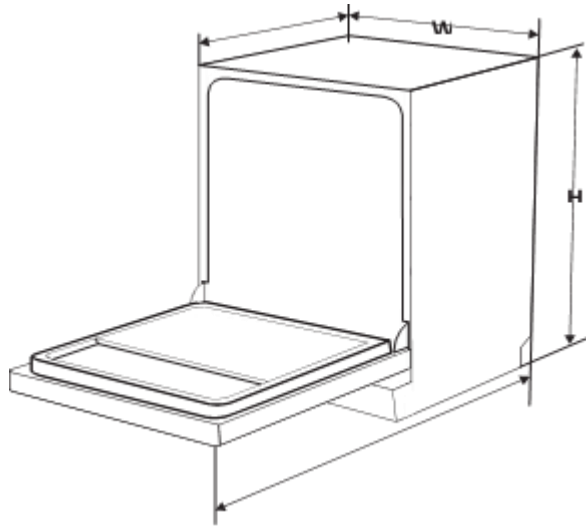
POWER / RATINGS

Voltage Rating	220-240 V~ 50/ 60 Hz
Power Rating	Max 2.1 kW
Power Cord	3 Pin Plug
Energy Rating	3.5 Stars
Water Rating	4.5 Stars

DIMENSIONS

Product Dim. (H x W x D)	815 x 598 x 570mm
Product Weight	44kg
Packed Dim. (H x W x D)	890 x 645 x 672mm
Package Weight	50.5kg

NOTE TO THE INSTALLER: Dimensions, specifications and drawings not to scale and to assist as a guide only. Trinity Appliances reserves the absolute and unrestricted right to change product materials and specifications, at any time, without notice. Physical product measurements of actual product must be taken prior to installation and making a cutout. Proper installation is the responsibility of the installer. Product failure due to improper installation is not covered under the Product Warranty.



Product Dimensions

Height (H): 815mm

Width (W): 598mm

Depth (D1): 570mm (with the door closed)

Depth (D2): 1175mm (with the door opened 90°)

NOTE TO THE INSTALLER: Dimensions, specifications and drawings not to scale and to assist as a guide only. Trinity Appliances reserves the absolute and unrestricted right to change product materials and specifications, at any time, without notice. Physical product measurements of actual product must be taken prior to installation and making a cutout. Proper installation is the responsibility of the installer. Product failure due to improper installation is not covered under the Product Warranty.