

GENERAL

Type	Built-in
Size	60 cm
Finish	Black Crystal Glass
Functions & Temperature Control	Touch Control

Technical specification

Voltage Rating	220–240 V~ 50/ 60 Hz
Power Rating	6.6KW
Cooking Zones	4 Zones
Power Cord	1.2m no plug

Zone information

Front left	230mm, 2200W/1100W
Front right	165mm, 1200W
Rear left	165mm, 1200W
Rear right	165 x 270mm, 2000W/1100W

DIMENSIONS

Cut-Out Dim. (H x W)	560 x 490 mm
Product Dim. (H x W x D)	590 x 520 x 47 mm
Product Weight	8.5 kg
Packed Dim (H x W x D)	650 x 590 x 110 mm
Packed Weight	10 kg

KEY FEATURES

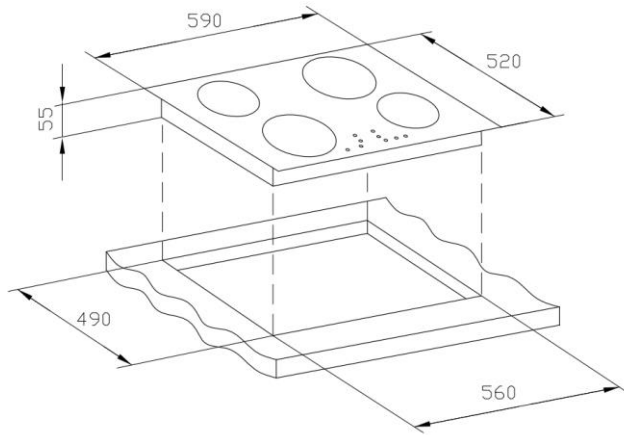
- LED display
- 9 power levels
- Electronic touch control
- Pan Sensor
- Ceramic shatter-proof safety glass
- Easy clean surface
- Residual heat indicators
- Auto safety switch off
- 99min Timer

NOTE TO THE INSTALLER: Dimensions, specifications and drawings not to scale and to assist as a guide only. Trinity Appliances reserves the absolute and unrestricted right to change product materials and specifications, at any time, without notice. Physical product measurements of actual product must be taken prior to installation and making a cutout. Proper installation is the responsibility of the installer. Product failure due to improper installation is not covered under the Product Warranty.



60cm Ceramic Cooktop

TRC605



Product Dimensions Cut-Out Dimensions

Height:	590mm	560mm
Width:	520mm	490mm
Depth:	47mm	

NOTE TO THE INSTALLER: Dimensions, specifications and drawings not to scale and to assist as a guide only. Trinity Appliances reserves the absolute and unrestricted right to change product materials and specifications, at any time, without notice. Physical product measurements of actual product must be taken prior to installation and making a cutout. Proper installation is the responsibility of the installer. Product failure due to improper installation is not covered under the Product Warranty.

