

**TRINITY**

---

**Comfort, Aesthetics  
and Reliability**

# **User Manual**

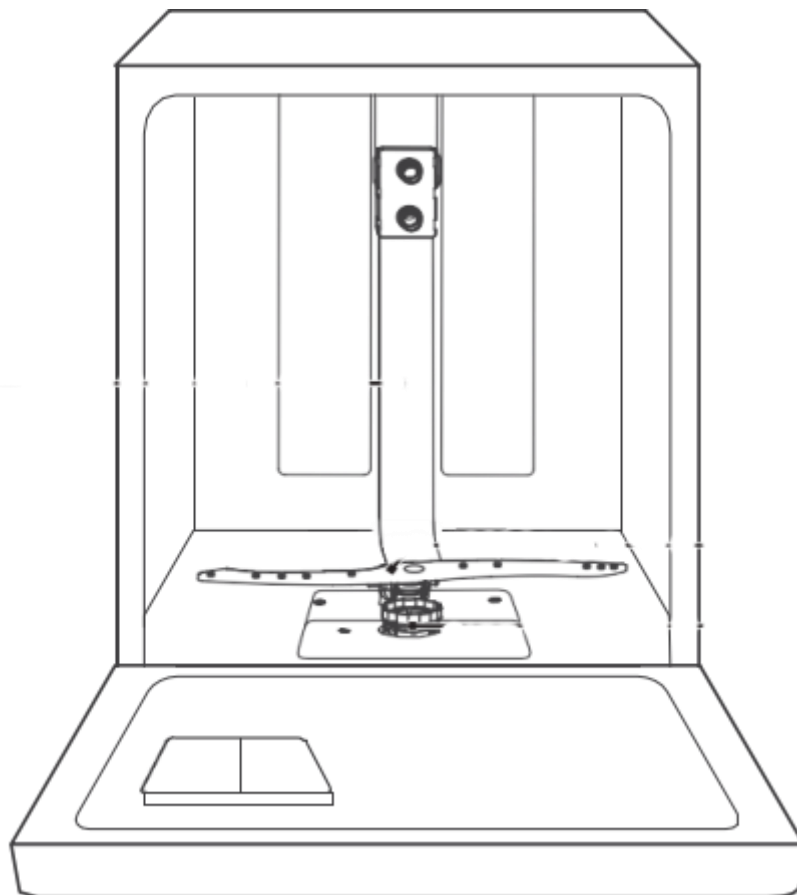
**60CM FREESTANDING DISHWASHER  
MODEL: TRDWFS6012; TRDWFS6014**

Please read this manual carefully before using, and keep it for future reference.

# INSTRUCTION MANUAL


## 60 cm Freestanding Dishwasher

Models: TRDWFS6012; TRDWFS6014



# CONTENTS

---

1 PACKAGE.....	5
1.1 IMPORTANT - CHECK FOR ANY DAMAGE OR MARKS .....	5
1.2 HANDLING .....	5
1.3 BEFORE USING YOUR NEW APPLIANCE .....	5
2 SAFETY WARNINGS.....	6
2.1 IMPORTANT INFORMATION.....	6
2.2 EARTHING INSTRUCTIONS  .....	7
3 INSTALLATION INSTRUCTION.....	8
3.1 ELECTRICAL SHOCK HAZARD .....	8
3.2 ABOUT POWER CONNECTION WARNING .....	8
3.3 WATER SUPPLY AND DRAIN .....	8
3.4 CONNECTION OF DRAIN HOSES .....	9
3.5 POSITION THE APPLIANCE.....	9
3.6 FREE STANDING INSTALLATION.....	10
3.7 BUILT-IN INSTALLATION(FOR THE INTEGRATED MODEL) .....	11
4 USING INSTRUCTION.....	16
4.1 YOUR NEW APPLIANCE.....	16
4.2 BEFORE USING YOUR DISHWASHER .....	17
4.3 BASKET USED TIPS .....	17
5 MAINTENANCE AND CLEANING .....	19
5.1 EXTERNAL CARE .....	19
5.2 INTERNAL CARE.....	19
5.3 CARING FOR THE DISHWASHER .....	21
6 LOADING THE BASKETS ACCORDING TO AS/NZS 2007.1 .....	22
6.1 UPPER BASKET FOR TRDWFS6012 :.....	22
6.2 LOWER BASKET FOR TRDWFS6012:.....	22
6.3 CUTLERY BASKET FOR TRDWFS6012: .....	23
6.4 UPPER BASKET FOR TRDWFS6014:.....	23
6.5 LOWER BASKET FOR TRDWFS6014:.....	24
6.6 CUTLERY BASKET FOR TRDWFS6014: .....	24
7 SPECIAL VERSION .....	26
7.1 QUICK USER GUIDE .....	26

7.2 CONTROL PANEL FOR TRDWFS6014 .....	27
7.3 CONTROL PANEL FOR TRDWFS6012 .....	28
7.4 PREPARING AND LOADING DISHES.....	30
7.5 REMOVING THE DISHES .....	31
7.6 LOADING THE UPPER BASKET .....	31
7.7 LOADING THE LOWER BASKET .....	31
7.8 LOADING THE CUTLERY BASKET .....	31
7.9 FUNCTION OF THE RINSE AID AND DETERGENT.....	32
7.10 FILLING THE RINSE AID RESERVOIR .....	33
7.11 FILLING THE DETERGENT DISPENSER.....	33
7.12 PROGRAMMING THE DISHWASHER .....	34
7.13 STARTING A CYCLE WASH .....	35
7.14 CHANGING THE PROGRAM MID-CYCLE FOR TRDWFS6014.....	35
7.15 FORGET TO ADD A DISH? FOR TRDWFS6014 .....	35
7.16 CHANGING THE PROGRAM MID-CYCLE TRDWFS6012.....	36
7.17 FORGET TO ADD A DISH? TRDWFS6012 .....	36
7.18 ERROR CODES.....	37
8 TECHNICAL DATA.....	38
8.1 TECHNICAL DATA SHEET .....	38
8.2 PRODUCT SPECIFICATION FOR TRDWFS6014 .....	38
8.3 PRODUCT SPECIFICATION FOR TRDWFS6012 .....	39
9 PROBLEM SOLVER .....	40
9.1 BEFORE CALLING FOR SERVICE .....	40
10 DISPOSAL.....	44
11 CUSTOMER CARE .....	45

# 1 PACKAGE

---

## 1.1 IMPORTANT - CHECK FOR ANY DAMAGE OR MARKS

Please thoroughly inspect your goods **at the delivery time**, if you notice any damage to your goods:

- Please notify the delivery team at the time of delivery and **do NOT accept damaged product**.
- Please notify us immediately as the problem can be instantly solved and damaged product return to the courier office.

When you open the package and find the appliance is damaged or marked, you must report it within 24 hours. Do not install or connect the item, keep the package as original, if you wish to claim for damage/marks under the manufacturer's warranty. This does not affect your statutory rights.

Evidence of damage will be required.

## 1.2 HANDLING

- Do not use the door and/or handle to carry or move the appliance.
- Carry out the movement and transportation in the original packaging.
- Pay maximum attention to the appliance while loading/unloading and handling.
- Make sure that the packaging is securely closed during handling and transportation.
- Protect from external factors (such as humidity, water, etc.) that may damage the packaging.
- Be careful not to damage the appliance due to bumps, crashes, drops, etc. while handling and transporting and not to break or deform it during operation.

## 1.3 BEFORE USING YOUR NEW APPLIANCE

- Read this guide, taking special note of the 'Safety Warnings' section.
- Remove any protective film that may still be on your appliance.
- This instruction manual has been prepared jointly for multiple models. Some of the specifications explained in the manual, may not be included in your appliance. Pay attention to the explanations with illustrations while reading the manual.

### NOTE:

***This instruction manual has been prepared jointly for multiple models. Some of the specifications explained in the manual, may be slightly different or not be included in your appliance. Pay attention to the explanations with illustrations while reading the manual.***

## 2 SAFETY WARNINGS

### 2.1 IMPORTANT INFORMATION

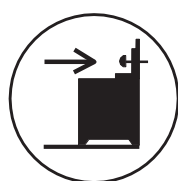
THESE WARNINGS ARE PROVIDED IN THE INTEREST OF SAFETY, PLEASE READ THEM CAREFULLY BEFORE INSTALLING OR USING THE APPLIANCE To maintain the EFFICIENCY and SAFETY of this appliance, we recommend:

- Installation and repair can only be carried out by a qualified technician
- This appliance is intended to be used in household and similar applications such as:
  - staff kitchen areas in shops, offices and other working environments;
  - farm houses;
  - by clients in hotels, motels and other residential type environments;
  - bed and breakfast type environments.
- This appliance can be used by children aged from 8 years and above and persons with reduced physical, sensory or mental capabilities or lack of experience and knowledge if they have been given supervision or instruction concerning use of the appliance in a safe way and understand the hazards involved.
- Children shall not play with the appliance. Cleaning and user maintenance shall not be done by children without supervision. (For EN60335-1)
- This appliance is not intended for use by persons (including children) with reduced physical, sensory or mental capabilities, or lack of experience and knowledge, unless they have been given supervision or instruction concerning use of the appliance by a person responsible for their safety. (For IEC60335-1) Packaging material could be dangerous for children!
- This appliance is for indoor household use only.
- To protect against the risk of electrical shock, do not immerse the unit, cord or plug in water or other liquid. Please unplug before cleaning and performing maintenance on the appliance.
- Use a soft cloth moistened with mild soap, and then use a dry cloth to wipe it again.

#### Safety reminding



Caution: possibility of tilting



Anti-tip restraints

**WARNING:** In order to prevent tipping of the appliance, this stabilising means must be installed.

Refer to the instructions for installation.

## 2.2 EARTHING INSTRUCTIONS

- This appliance must be earthed. In the event of a malfunction or breakdown, earthing will reduce the risk of an electric shock by providing a path of least resistance of electric current. This appliance is equipped with an earthing conductor plug.
- The plug must be plugged into an appropriate outlet that is installed and earthed in accordance with all local codes and ordinances.
- Improper connection of the equipment-earthing conductor can result in the risk of an electric shock. Check with a qualified electrician or service representative if you are in doubt whether the appliance is properly grounded.
- Do not modify the plug provided with the appliance; If it does not fit the outlet.
- Have a proper outlet installed by a qualified electrician.
- Do not abuse, sit on, or stand on the door or dish rack of the dishwasher.
- Do not operate your dishwasher unless all enclosure panels are properly in place.
- Open the door very carefully if the dishwasher is operating, there is a risk of water squirting out. Do not place any heavy objects on or stand on the door when it is open. The appliance could tip forward.
- When loading items to be washed:
  - 1) Locate sharp items so that they are not likely to damage the door seal;
  - 2) Warning: Knives and other utensils with sharp points must be loaded in the basket with their points facing down or placed in a horizontal position.
- Some dishwasher detergents are strongly alkaline. They can be extremely dangerous if swallowed.
- Avoid contact with the skin and eyes and keep children away from the dishwasher when the door is open.
- Check that the detergent powder is empty after completion of the wash cycle.
- Do not wash plastic items unless they are marked "dishwasher safe" or the equivalent.
- For unmarked plastic items not so marked, check the manufacturer's recommendations.
- Use only detergent and rinse agents recommended for use in an automatic dishwasher.
- Never use soap, laundry detergent, or hand washing detergent in your dishwasher.
- The door should not be left open, since this could increase the risk of tripping.
- If the supply cord is damaged, it must be replaced by the manufacturer or its service agent or a similarly qualified person in order to avoid a hazard.
- During installation, the power supply must not be excessively or dangerously bent or flattened.
- Do not tamper with controls.
- The appliance needs to be connected to the main water valve using new hose sets. Old sets should not be reused.
- To save energy, in stand by mode, the appliance will switch off automatically while there is no any operation in 30 minutes.

## 3 INSTALLATION INSTRUCTION

---

### 3.1 ELECTRICAL SHOCK HAZARD

- Disconnect electrical power before installing dishwasher.
- Failure to do so could result in death or electrical shock.
- Attention: The installation of the pipes and electrical equipment should be done by professionals.

### 3.2 ABOUT POWER CONNECTION

- **Warnings, For personal safety:**

Do not use an extension cord or an adapter plug with this appliance.

Do not, under any circumstances, cut or remove the earthing connection from the power cord.

- **Electrical requirements**

Please look at the rating label to know the rating voltage and connect the dishwasher to the appropriate power supply. Use the required fuse 10A/13A/16A, time delay fuse or circuit breaker recommended and provide separate circuit serving only this appliance.

- **Electrical connection**

Ensure the voltage and frequency of the power being corresponds to those on the rating plate. Only insert the plug into an electrical socket which is earthed properly. If the electrical socket to which the appliance must be connected is not appropriate for the plug, replace the socket, rather than using an adaptor or the like as they could cause overheating and burns.

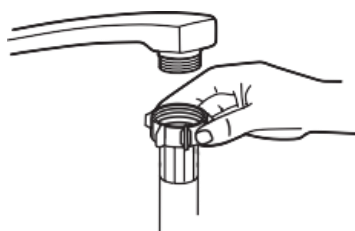
- **▲ Ensure that proper earthing exists before use**

### 3.3 WATER SUPPLY AND DRAIN

- **Cold water connection**

Connect the cold water supply hose to a threaded 3/4-inch connector and make sure that it is fastened tightly in place.

If the water pipes are new or have not been used for an extended period of time, let the water run to make sure that the water is clear. This precaution is needed to avoid the risk of the water inlet to be blocked and damage the appliance.



Ordinary supply hose



- **How to connect the safety supply hose**

Pull The safety supply hoses completely out from storage compartment located at rear of dishwasher.

Tighten the screws of the safety supply hose to the faucet with thread 3/4 inch.

Turn water fully on before starting the dishwasher.

- **How to disconnect the safety supply hose**

Turn off the water.

Unscrew the safety supply hose from the faucet.

### 3.4 CONNECTION OF DRAIN HOSES

- Insert the drain hose into a drain pipe with a minimum diameter of 4 cm, or let it run into the sink, making sure to avoid bending or crimping it. The height of drain pipe must be less than 1000mm. The free end of the hose must not be immersed in water to avoid the back flow of it.

▲ Please securely fix the drain hose in either position A or position

- **How to drain excess water from hoses**

If the sink is 1000 higher from the floor, the excess water in hoses cannot be drained directly into the sink. It will be necessary to drain excess water from hoses into a bowl or suitable container that is held outside and lower than the sink.

- **Water outlet**

Connect the water drain hose. The drain hose must be correctly fitted to avoid water leaks. Ensure that the water drain hose is not kinked or squashed.

- **Extension hose**

If you need a drain hose extension, make sure to use a similar drain hose.

It must be no longer than 4 meters; otherwise the cleaning effect of the dishwasher could be reduced.

- **Syphon connection**

The waste connection must be at a height less than 100 cm (maximum) from the bottom of the dish. The water drain hose should be fixed.

### 3.5 POSITION THE APPLIANCE

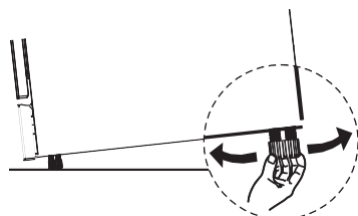
Position the appliance in the desired location. The back should rest against the wall behind it, and the sides, along the adjacent cabinets or walls. The dishwasher is equipped with water supply and drain hoses that can be positioned either to the right or the left sides to facilitate proper installation.

- **Leveling the appliance**

Once the appliance is positioned for leveling, the height of the dishwasher may be altered via

adjustment of the screwing level of the feet.

In any case, the appliance should not be inclined more than 2°.



**NOTE:**

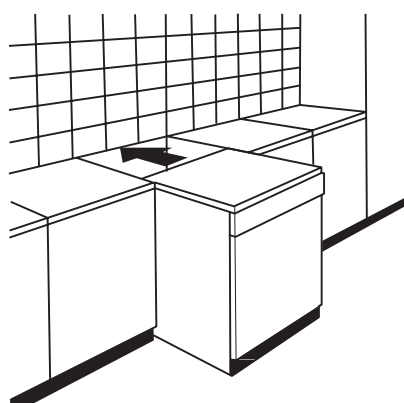
Only apply to the free standing dishwasher.

### 3.6 FREE STANDING INSTALLATION

- **Fitting between existing cabinets**

The height of the dishwasher, 845 mm, has been designed in order to allow the machine to be fitted between existing cabinets of the same height in modern fitted kitchens. The feet can be adjusted so that correct height is reached.

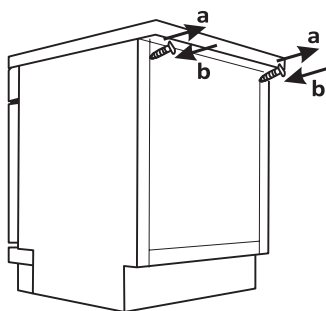
The laminated top of the machine does not require any particular care since it is heatproof, scratch-proof and stain-proof.



- **Underneath existing work top**

(When fitting beneath a work top)

In most modern fitted kitchens there is only one single work top under which cabinets and electrical appliances are fitted. In this case remove the work top of the dishwasher by unscrewing the screws under the rear edge of the top (a).



- ⚠ **Attention**

After removing the work top, the screws must be screwed again under the rear edge of the top (b).

The height will then be reduced to 815 mm, as scheduled by the International Regulations (ISO) and the dishwasher will fit perfectly under the kitchen working top.

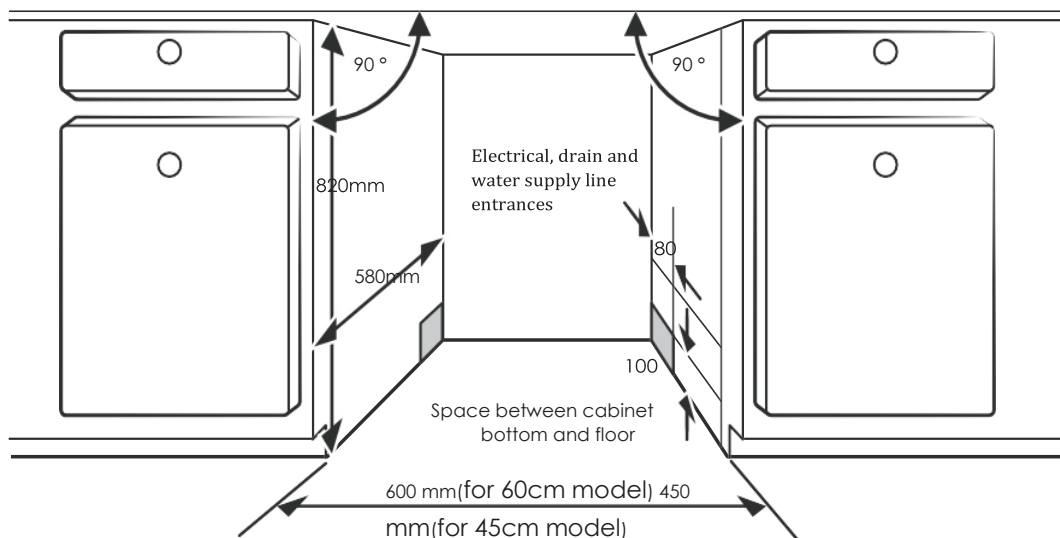
### 3.7 BUILT-IN INSTALLATION (FOR THE INTEGRATED MODEL)

- Step 1. Selecting the best location for the dishwasher**

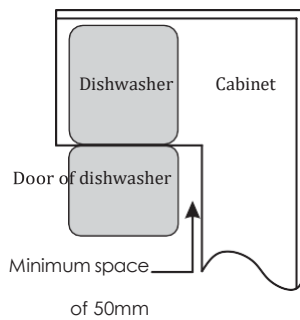
The installation position of dishwasher should be near the existing inlet and drain hoses and power cord.

Illustrations of cabinet dimensions and installation position of the dishwasher.

Less than 5 mm between the top of dishwasher and cabinet and the outer door aligned to cabinet.



If dishwasher is installed at the corner of the cabinet, there should be some space when the door is opened.



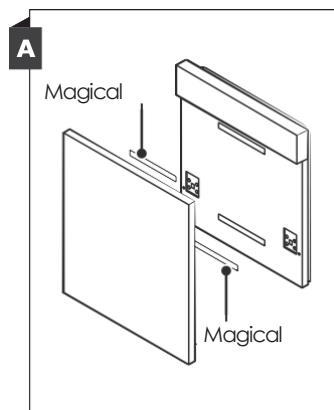
- **NOTE:**

Depending on where your electrical outlet is, you may need to cut a hole in the opposite cabinet side.

- **Step 2. Aesthetic panel's dimensions and installation**

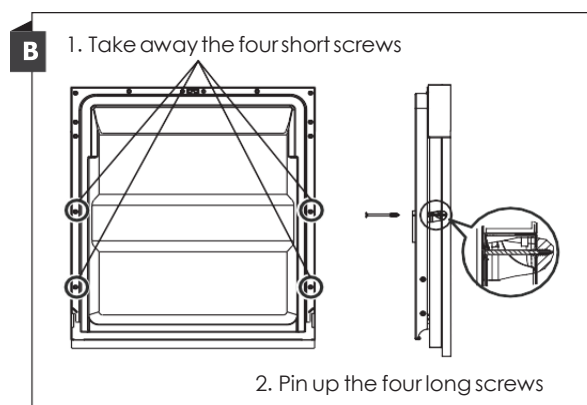


The aesthetic wooden panel could be processed according to the installation drawings.



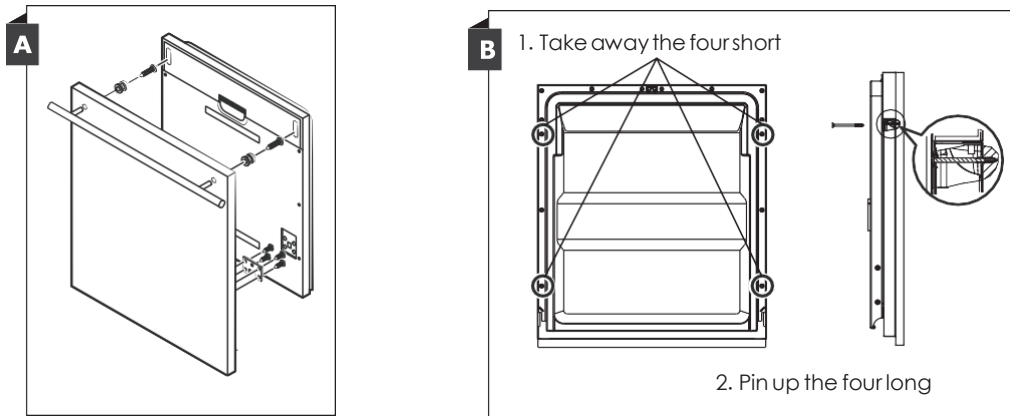
- Semi-integrated model

Magical paster A and magical paster B be dis-joined, magical paster A on the aesthetic wooden panel and felted magical paster B of the outer door of dishwasher (see figure A). After positioning of the panel, fix the panel onto the outer door by screws and bolts (See figure B).



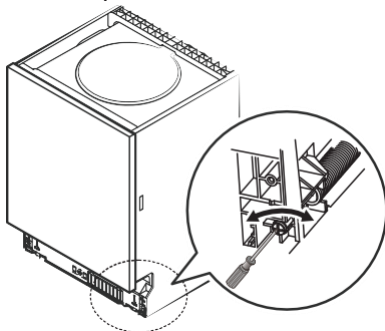
- Full-integrated model

Install the hook on the aesthetic wooden panel and put the hook into the slot of the outer door of dishwasher (see figure A). After positioning of the panel, fix the panel onto the outer door by screws and bolts (See figure B).



- **Step 3. Tension adjustment of the door spring**

The door springs are set at the factory to the proper tension for the outer door. If aesthetic wooden panel are installed, you will have to adjust the door spring tension. Rotate the adjusting screw to drive the adjuster to strain or relax the steel cable. Door spring tension is correct when the door remains horizontal in the fully opened position, yet rises to a close with the slight lift of a finger.

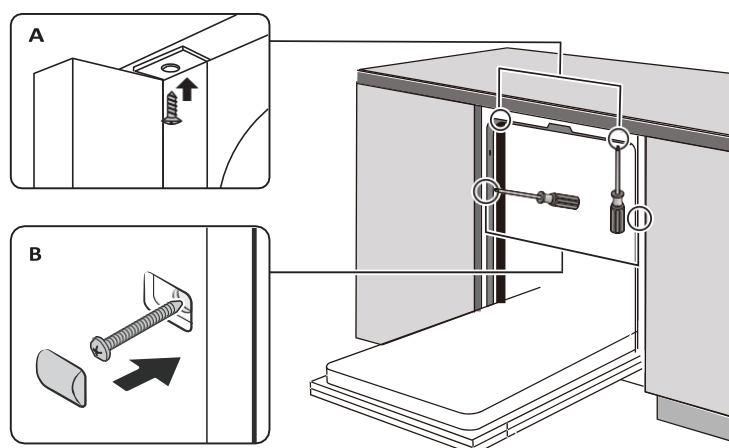


- **Step 4. Dishwasher installation steps**



Please refer to the specified installation steps in the installation drawings.

1. Affix the condensation strip under the work surface of cabinet. Please ensure the condensation strip is flush with edge of work surface. (Step 2)
2. Connect the inlet hose to the cold water supply.
3. Connect the drain hose.
4. Connect the power cord.
5. Place the dishwasher into position. (Step 4)
6. Level the dishwasher. The rear foot can be adjusted from the front of the dishwasher by turning the Philips screw in the middle of the base of dishwasher use an Allen key. To adjust the front feet, use a flat screw driver and turn the front feet until the dishwasher is level. (Step 5 to Step 6)
7. Install the furniture door to the outer door of the dishwasher. (Step 7 to Step 10)
8. Adjust the tension of the door springs by using an Allen key turning in a clockwise motion to tighten the left and right door springs. Failure to do this could cause damage to your dishwasher. (Step 11)
9. The dishwasher must be secured in place. There are two ways to do this:
  - A. Normal work surface: Put the installation hook into the slot of the side plane and secure it to the work surface with the wood screws.
  - B. Marble or granite work top: Fix the side with Screw.

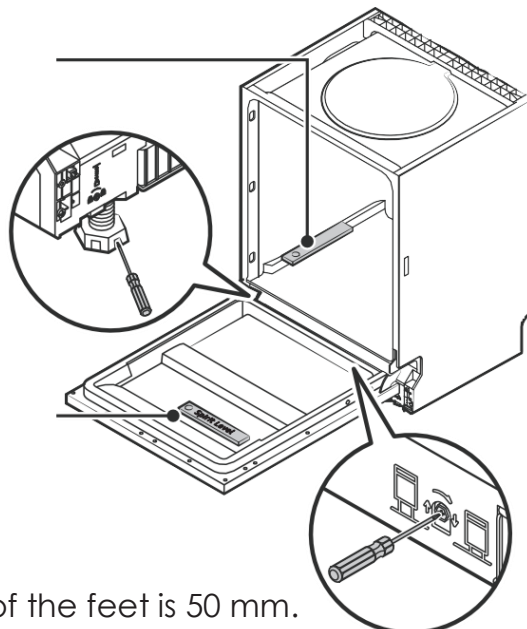


### • Step 5. Leveling the dishwasher

Dishwasher must be level for proper dish rack operation and wash performance.

1. Place a spirit level on door and rack track inside the tub as shown to check that the dishwasher is level.
2. Level the dishwasher by adjusting the three leveling legs individually.
3. When level the dishwasher, please pay attention not to let the dishwasher tip over.

Check level front to back



Check level side to side

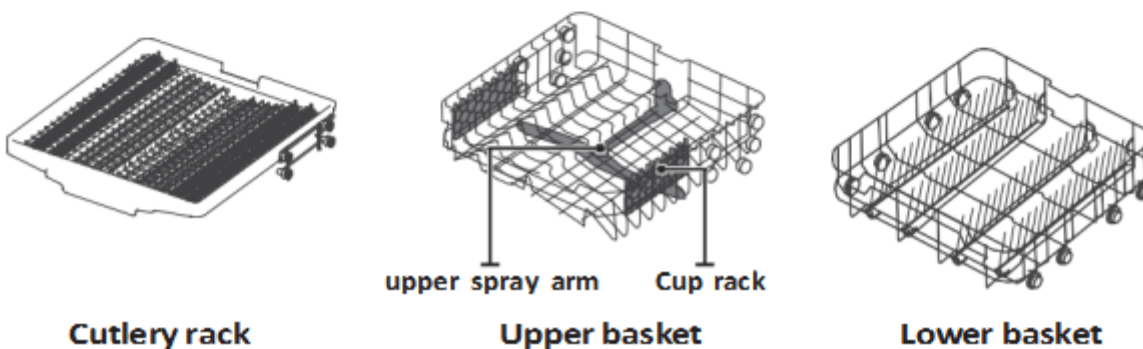
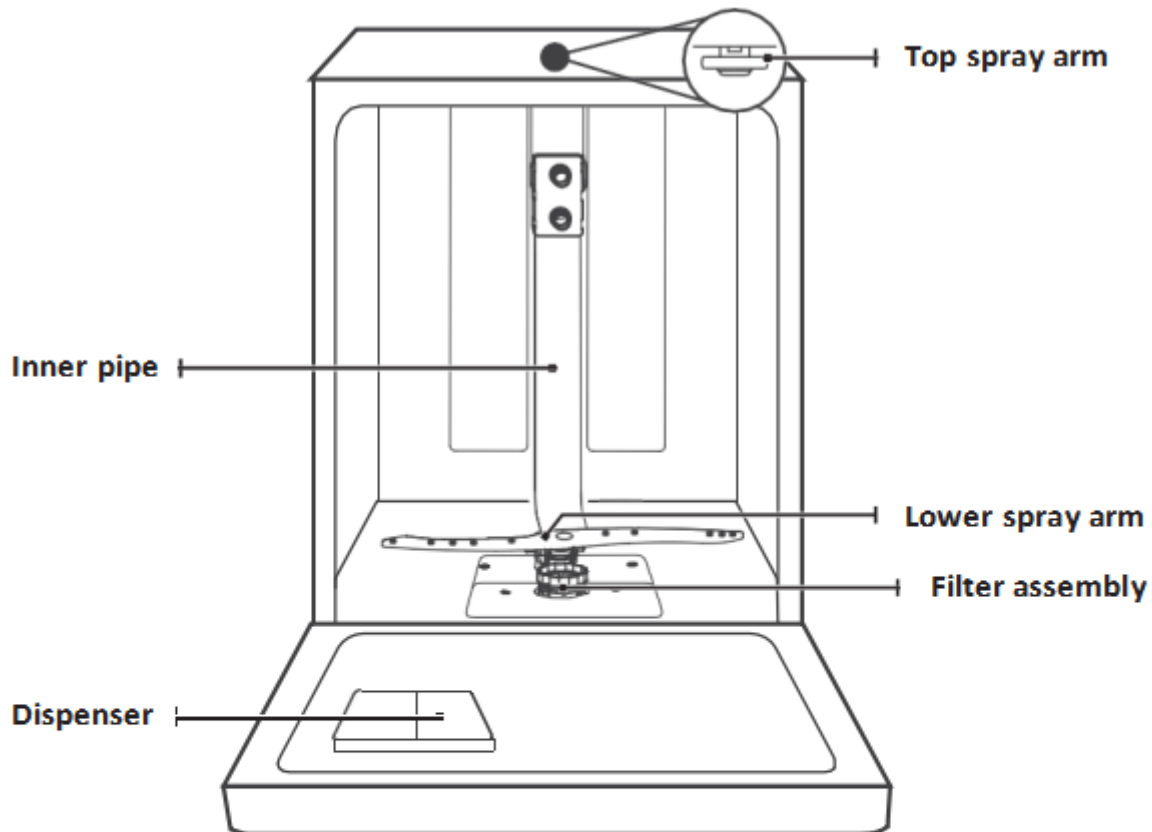
-  **NOTE:**

The maximum adjustment height of the feet is 50 mm.

## 4 USING INSTRUCTION

### 4.1 YOUR NEW APPLIANCE

- To get the best performance from your dishwasher, read all operating instructions before using it for the first time.



- **NOTE:**

Pictures are only for reference, different models may be different. Please prevail in kind.



## 4.2 BEFORE USING YOUR DISHWASHER



1. Loading the basket
2. Fill the rinse aid dispenser (Please check the section 1 of PART II: Special Version)
3. Fill in detergent (Please check the section 1 of PART II: Special Version)

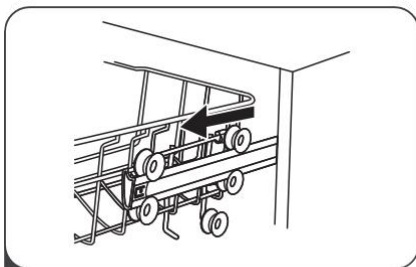
## 4.3 BASKET USED TIPS

### • Adjusting the upper basket

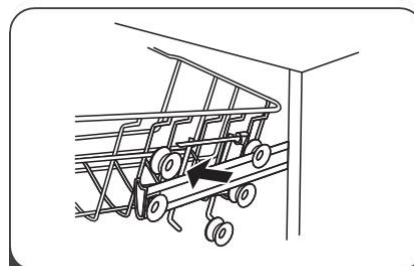
Type 1:

The height of the upper basket can be easily adjusted to accommodate taller dishes in either the upper or lower basket.

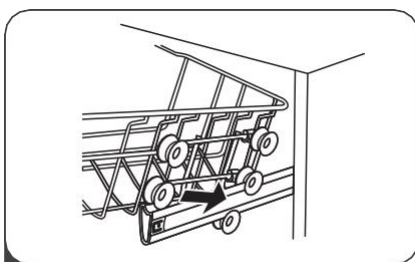
To adjust the height of the upper rack, follow these steps:



1. Pull out the upper basket.

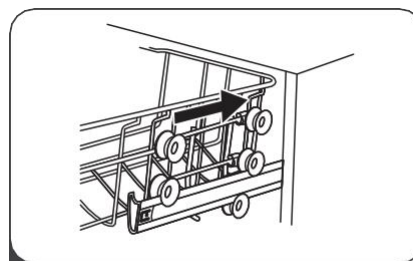


2. Remove the upper basket.



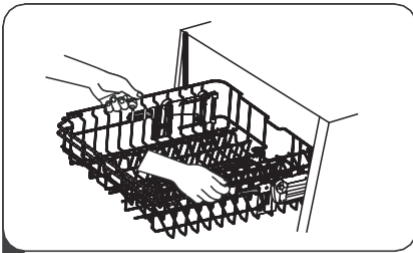
3. Re-attach the upper basket to

Upper or lower rollers.

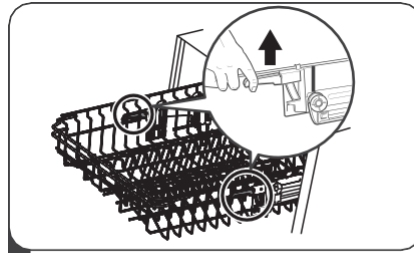


4. Push in the upper basket.

Type 2:



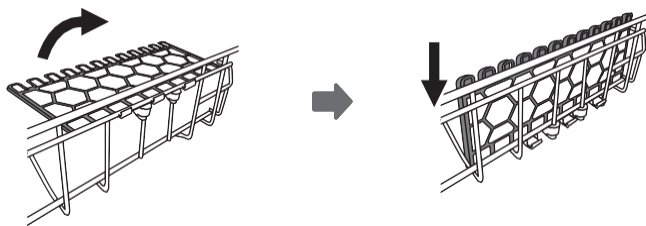
1. To raise the upper basket, just lift the upper basket at the center of each side until the basket locks into place in the upper position. It is not necessary to lift the adjuster handle.



2. To lower the upper basket, lift the adjust handles on each side to release the basket and lower it to the lower position.

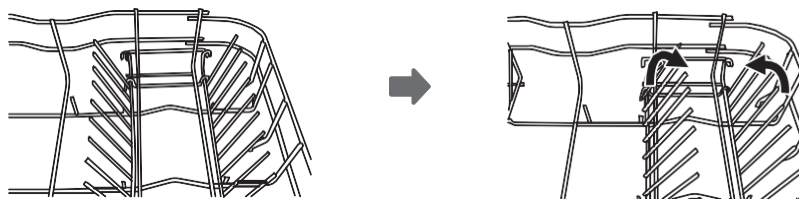
- **Folding back the cup shelves**

To make room for taller items in the upper basket, raise the cup rack upwards. You can then lean the tall glasses against it. You can also remove it when it is not required for use.



- **Folding back the rack shelves**

The spikes of the lower basket are used for holding plates and a platter. They can be lowered to make more room for large items.



## 5 MAINTENANCE AND CLEANING

### 5.1 EXTERNAL CARE

- **The door and the door seal**

Clean the door seals regularly with a soft damp cloth to remove food deposits.

When the dishwasher is being loaded, food and drink residues may drip onto the sides of the dishwasher door. These surfaces are outside the wash cabinet and are not accessed by water from the spray arms. Any deposits should be wiped off before the door is closed.

- **The control panel**

If cleaning is required, the control panel should be wiped with a soft damp cloth only.

- **Warnings:**

To avoid penetration of water into the door lock and electrical components, do not use a spray cleaner of any kind.

Never use abrasive cleaners or scouring pads on the outer surfaces because they may scratch the finish. Some paper towels may also scratch or leave marks on the surface.

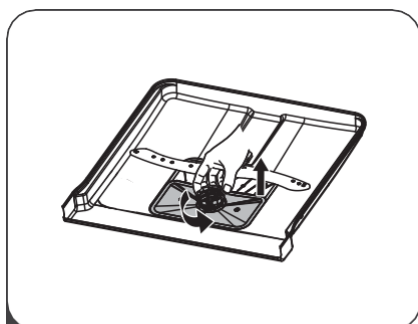
### 5.2 INTERNAL CARE

- **Filtering system**

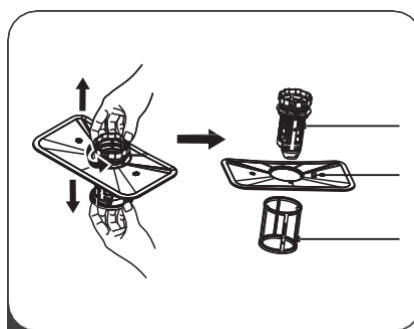
The filtering system in the base of the wash cabinet retains coarse debris from the washing cycle. The collected coarse debris may cause the filters to clog. Check the condition of the filters regularly and clean them if necessary under running water. Follow the steps below to clean the filters in the wash cabinet.

- **NOTE:**

Pictures are only for reference, different models of the filtering system and spray arms may be different.



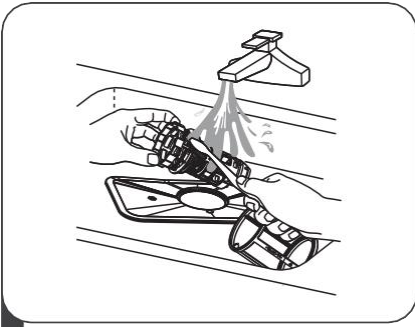
1. Hold the coarse filter and rotate it anticlockwise to unlock the filter. Lift the filter upwards and out of the dishwasher.



2. The fine filter can be pulled off the bottom of the filter assembly.

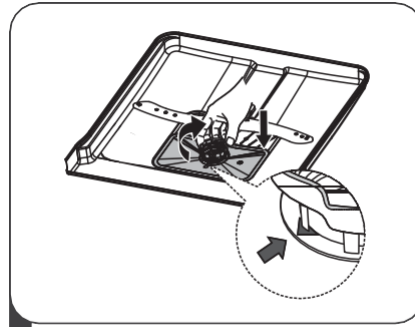
The coarse filter can be detached from the main filter by gently squeezing the tabs at the top and pulling it away.

Coarse filter
Main filter
Fine filter



3. Larger food remnants can be cleaned by rinsing the filter under running water.

For a more thorough clean, use a soft cleaning brush.



4. Reassemble the filters in the reverse order of the disassembly, replace the filter insert, and rotate clockwise to the close arrow.

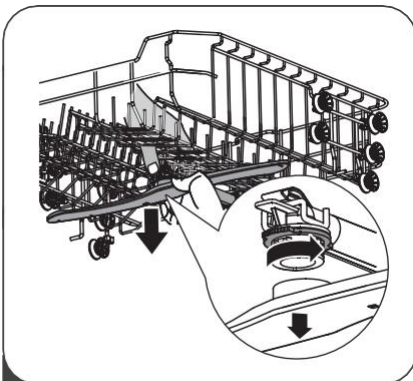
### Warnings:

- Do not over tighten the filters. Put the filters back in sequence securely, otherwise coarse debris could get into the system and cause a blockage.
- Never use the dishwasher without filters in place. Improper replacement of the filter may reduce the performance level of the appliance and damage dishes and utensils.

### • Spray arms

It is necessary to clean the spray arms regularly for hard water chemicals will clog the spray arm jets and bearings.

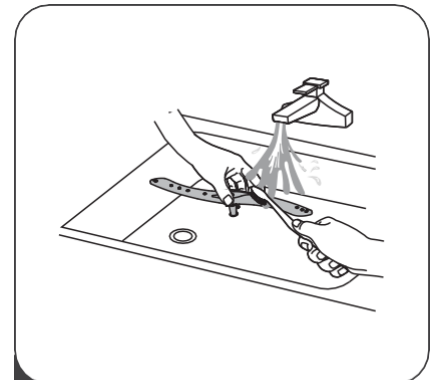
To clean the spray arms, follow the instructions below:



1. To remove the upper spray arm, hold the nut in the center still and rotate the spray arm counterclockwise to remove it.



2. To remove the lower spray arm, pull out the spray arm upward.



3. Wash the arms in soapy and warm water and use a soft brush to clean the jets. Replace them after rinsing them thoroughly.

### 5.3 CARING FOR THE DISHWASHER

- **Frost precaution**

Please take frost protection measures on the dishwasher in winter. Every time after washing cycles, please operate as follows:

1. Cut off the electrical power to the dishwasher at the supply source.
2. Turn off the water supply and disconnect the water inlet pipe from the water valve.
3. Drain the water from the inlet pipe and water valve. (Use a pan to gather the water)
4. Reconnect the water inlet pipe to the water valve.
5. Remove the filter at the bottom of the tub and use a sponge to soak up water in the sump.

- **After every wash**

After every wash, turn off the water supply to the appliance and leave the door slightly open so that moisture and odors are not trapped inside.

- **Remove the plug**

Before cleaning or performing maintenance, always remove the plug from the socket.

- **No solvents or abrasive cleaning**

To clean the exterior and rubber parts of the dishwasher, do not use solvents or abrasive cleaning products. Only use a cloth with warm soapy water.

To remove spots or stains from the surface of the interior, use a cloth dampened with water and a little vinegar, or a cleaning product made specifically for dishwashers.

- **When not in use for a long time**

It is recommending that you run a wash cycle with the dishwasher empty and then remove the plug from the socket, turn off the water supply and leave the door of the appliance slightly open. This will help the door seals to last longer and prevent odors from forming within the appliance.

- **Moving the appliance**

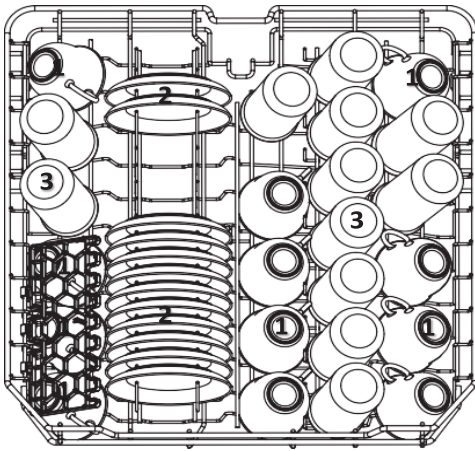
If the appliance must be moved, try to keep it in the vertical position. If absolutely necessary, it can be positioned on its back.

- **Seals**

One of the factors that cause odours to form in the dishwasher is food that remains trapped in the seals. Periodic cleaning with a damp sponge will prevent this from occurring.

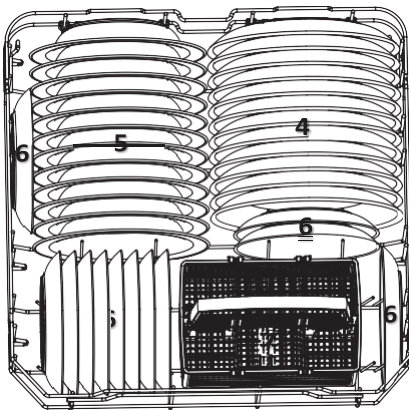
## 6 LOADING THE BASKETS ACCORDING TO AS/NZS 2007.1

### 6.1 UPPER BASKET FOR TRDWFS6012:



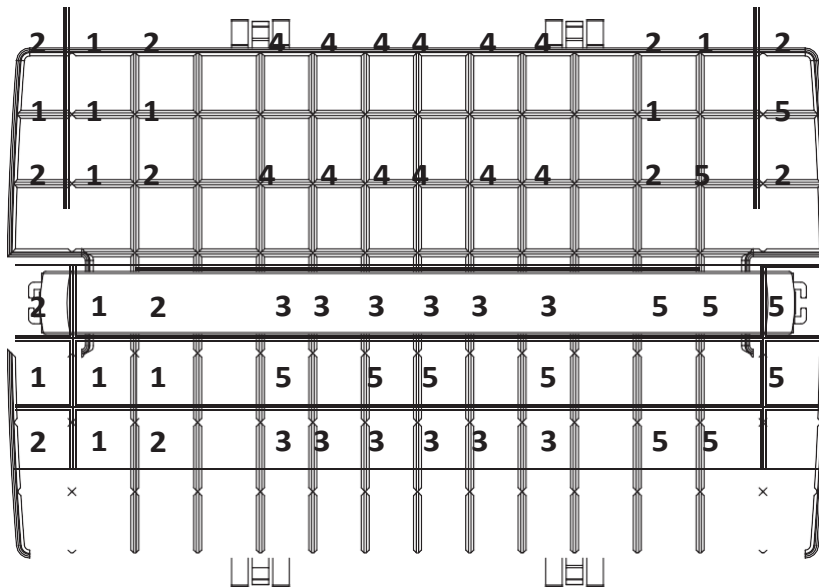
Number	Item
1	Cups
2	Saucers
3	Glasses

### 6.2 LOWER BASKET FOR TRDWFS6012:



Number	Item
4	Dinner plates
5	Soup plates
6	Dessert dishes
7	Cutlery basket

**6.3 CUTLERY BASKET FOR TRDWFS6012:**



Number	Item
1	Forks
2	Soup spoons
3	Dessert spoons
4	Teaspoons
5	Knives

Information for comparability tests in accordance with (\*AS/NZS 2007.1)

Capacity: 12 place settings

Position of the upper basket: lower position

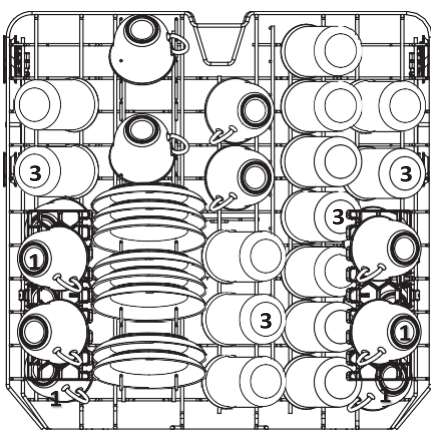
Program: ECO

Rinse aid setting: 6

Detergent(Pre/main): 5/25g

Door is open at the end of the drying cycle for the drying performance test (Door position: Open 50 mm)

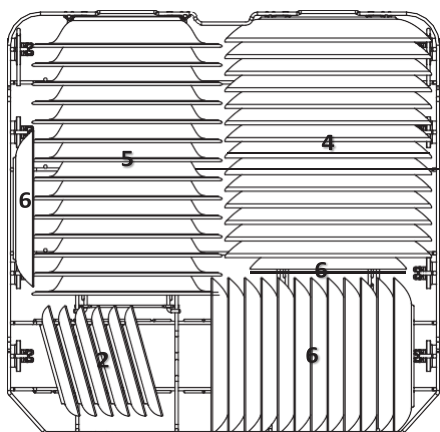
**6.4 UPPER BASKET FOR TRDWFS6014:**



Number	Item
1	Cups
2	Saucers
3	Glasses

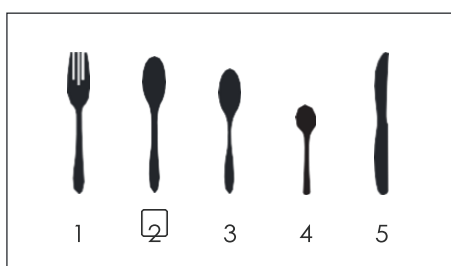
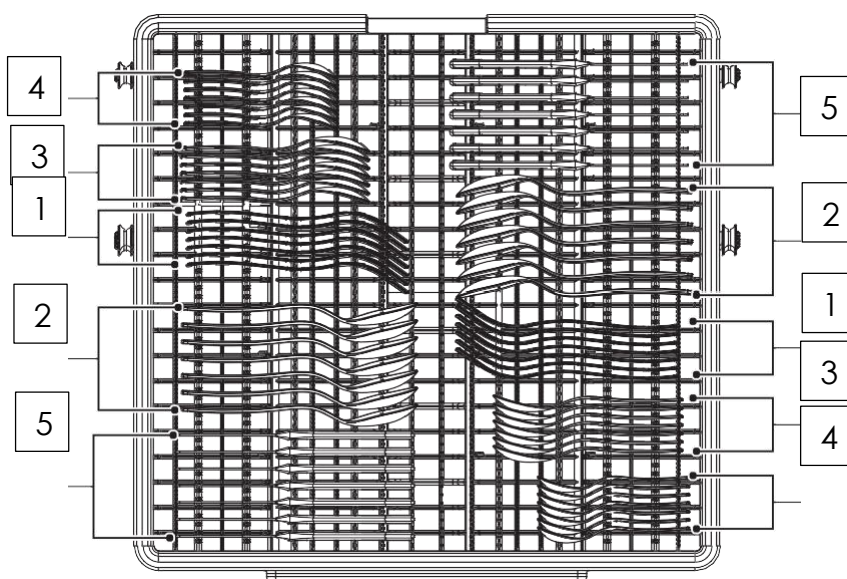


## 6.5 LOWER BASKET FOR TRDWFS6014:



Number	Item
4	Dinner plates
5	Soup plates
6	Dessert dishes

## 6.6 CUTLERY BASKET FOR TRDWFS6014:



Number	Item
1	Forks
2	Soup spoons
3	Dessert spoons
4	Teaspoons
5	Knives



Information for comparability tests in accordance with (\*AS/NZS 2007.1)

Capacity: 14 place settings

Position of the upper basket: lower position

Program: ECO

Rinse aid setting: 6

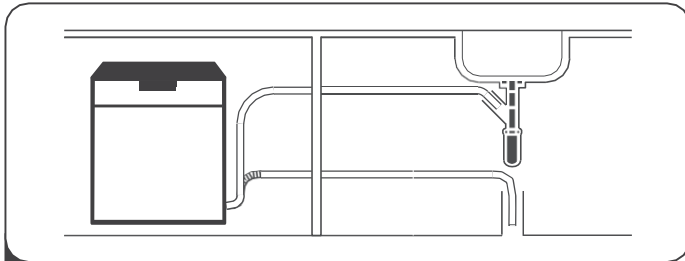
Detergent(Pre/main): 5/27.5g

Door is open at the end of the drying cycle for the drying performance test (Door position: Open 50 mm)

## 7 SPECIAL VERSION

### 7.1 QUICK USER GUIDE

Please read the corresponding content on the instruction manual for detailed operating method.

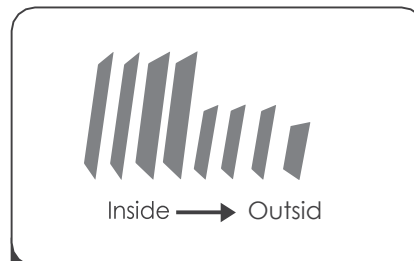


1. Install the dishwasher

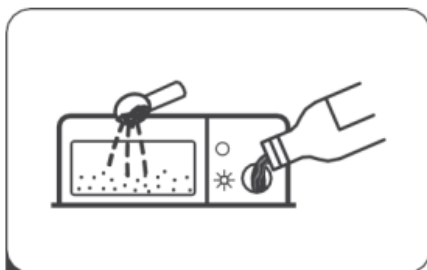
(Please check the section 3 "INSTALLATION INSTRUCTION")



2. Removing the larger residue on the cutlery



3. Loading the baskets

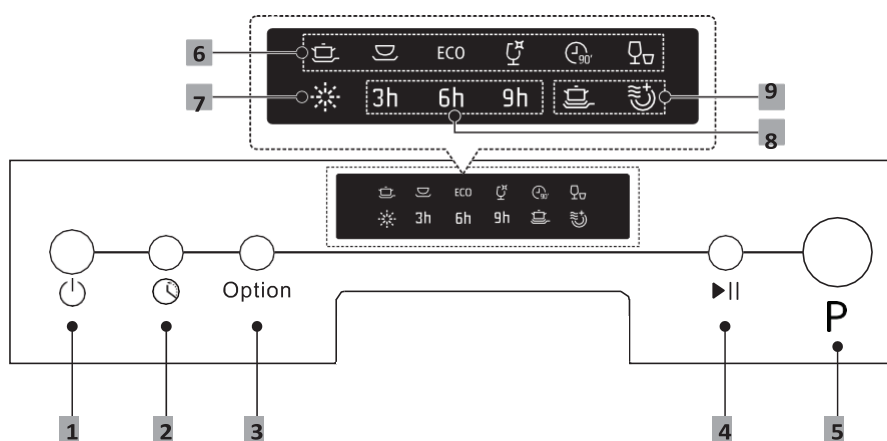


4 Filling the dispenser



5 Selecting a program and running the dishwasher



## 7.2 CONTROL PANEL FOR TRDWFS6014









### • Operation (Button)

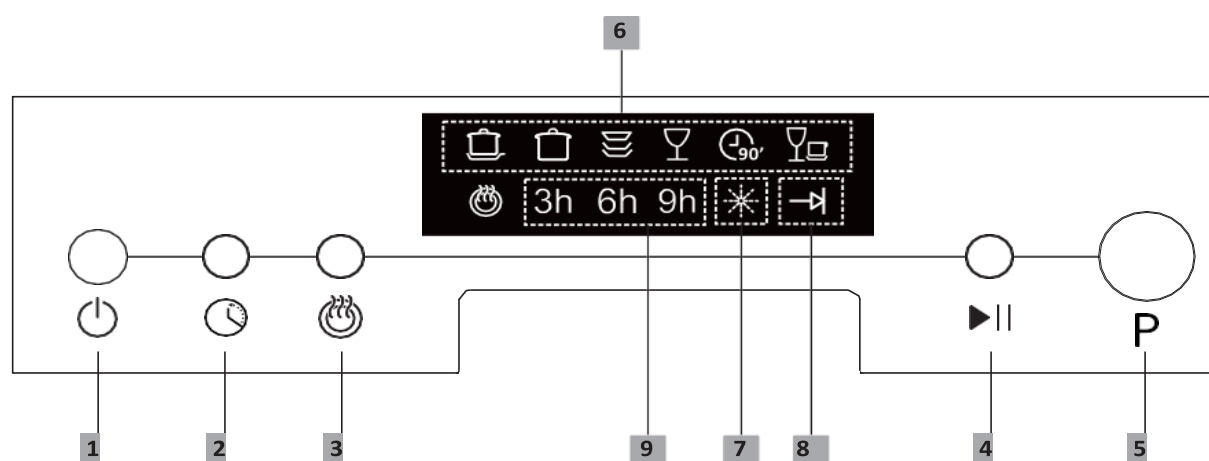
<b>1 Power</b>	Press this button to turn on your dishwasher, the screen lights up.
<b>2 Delay</b>	Press the button to set the delay time. corresponding indicator will be lit.
<b>3 Extra dry</b>	If you want to dry your dishes more completely, please select this function. When pressing this button, corresponding indicator will be lit.
<b>4 Start / Pause</b>	To start the selected washing program or pause it when the dishwasher is working.
<b>5 Program</b>	Press this button to select the appropriate washing program, corresponding indicator will be lit.

### • Display

<b>6 Program indicator</b>	 Intensive For heaviest soiled crockery, such as pots, pans, casserole dishes and dishes that have been sitting with dried food on them for a while.
	 Heavy For heavily soiled loads, such as pots, plates, glasses and lightly soiled pans.
	ECO ECO For normally soiled loads, such as pots, plates, glasses and lightly soiled pans,

	<p>standard daily cycle.</p> <p> Glass For lightly soiled crockery and glass.</p> <p> 90 Min For normally soiled loads that need quick wash.</p> <p> Rapid A shorter wash for lightly soiled loads that do not need drying.</p>
<b>7 Warning indicator</b>	<p> Rinse Aid If the " * " indicator is lit, it means the dishwasher is low on dishwasher rinse aid and requires a refill.</p>
<b>8 Delay time</b>	To show the delay time(3h/6h/9h)
<b>9 Function indicator</b>	<p> Extra Cleaning If you want to wash very dirty, hard to clean dishes, please select this function.</p> <p> Extra Drying If you want to dry your dishes more completely, please select this function.</p>

### 7.3 CONTROL PANEL FOR TRDWFS6012











#### • Operation (Button)

<b>1 Power</b>	Press this button to turn on your dishwasher, the screen lights up.
<b>2 Delay</b>	Press the button to set the delay time. (3h/6h/9h)

<b>3 Extra dry</b>	If you want to dry your dishes more completely, please select this function. When pressing this button, corresponding indicator will be lit.
<b>4 Start / Pause</b>	To start the selected washing program or pause it when the dishwasher is working.
<b>5 Program</b>	Press this button to select the appropriate washing program, corresponding indicator will be lit.

- **Display**

<b>6 Program indicator</b>	 <b>Intensive</b> Heavily soiled items include pots and pans. With dried on food.
<b>6 Program indicator</b>	 <b>Heavy</b> For heavily soiled loads, such as pots, plates, glasses and lightly soiled pans.
	 <b>Normal</b> For normally soiled loads, such as pots, plates, glasses and lightly soiled pans.
	 <b>Glass</b> For lightly soiled crockery and glass.
	 <b>90 Min</b> For normally soiled loads that need quick wash.
	 <b>Rapid</b> A shorter wash for lightly soiled loads that do not need drying.
<b>7 Warning indicator</b>	 <b>Rinse Aid</b> If the “* ” indicator is lit, it means the dishwasher is low on dishwasher rinse aid and requires a refill.
<b>8 Progress indicator</b>	 <b>Program end</b> when the program is end, the indicator will be lit.
<b>9 Delay time</b>	To show the delay time. (3h/6h/9h)

## 7.4 PREPARING AND LOADING DISHES

- Consider buying utensils which are identified as dishwasher-proof.
- For particular items, select a program with the lowest possible temperature.
- To prevent damage, do not take glass and cutlery out of the dishwasher immediately after the program has ended.
- **For washing the following cutlery/dishes**
- **Are not suitable**
  1. Cutlery with wooden, horn china or mother-of-pearl handles Plastic items that are not heat resistant
  2. Older cutlery with glued parts that are not temperature resistant Bonded cutlery items or dishes
  3. Pewter or cooper items Crystal glass
  4. Steel items subject to rusting Wooden platters
  5. Items made from synthetic fibers
- **Are of limited suitability**
  1. Some types of glasses can become dull after a large number of washes
  2. Silver and aluminum parts have a tendency to discolour during washing
  3. Glazed patterns may fade if machine washed frequently
- **Recommendations for loading the dishwasher**

Scrape off any large amounts of leftover food. Soften remnants of burnt food in pans. It is not necessary to rinse the dishes under running water.

For best performance of the dishwasher, follow these loading guidelines. **(Features and appearance of baskets and cutlery baskets may vary from your model.)**

Place objects in the dishwasher in following way:

1. Items such as cups, glasses, pots/pans, etc. are faced downwards.
2. Curved items, or ones with recesses, should be loaded aslant so that water can run off.
3. All utensils are stacked securely and can not tip over.
4. All utensils are placed in the way that the spray arms can rotate freely during washing.
5. Load hollow items such as cups, glasses, pans etc. With the opening facing downwards so that water cannot collect in the container or a deep base.
6. Dishes and items of cutlery must not lie inside one another, or cover each other. To avoid damage, glasses should not touch one another.
7. The upper basket is designed to hold more delicate and lighter dishware such as glasses, coffee and tea cups.
8. Long bladed knives stored in an upright position are a potential hazard!
9. Long and / or sharp items of cutlery such as carving knives must be positioned horizontally in the upper basket.
10. Please do not overload your dishwasher. This is important for good results and for reasonable consumption of energy.

- **NOTE:**

Very small items should not be washed in the dishwasher as they could easily fall out of the basket.

## 7.5 REMOVING THE DISHES

To prevent water dripping from the upper basket into the lower basket, we recommend that you empty the lower basket first, followed by the upper basket.

- **Warnings:** 

**Items will be hot!** To prevent damage, do not take glass and cutlery out of the dishwasher for around 15 minutes after the program has ended.

## 7.6 LOADING THE UPPER BASKET

The upper basket is designed to hold more delicate and lighter dishware such as glasses, coffee and tea cups and saucers, as well as plates, small bowls and shallow pans (as long as they are not too dirty). Position the dishes and cookware so that they will not get moved by the spray of water.



## 7.7 LOADING THE LOWER BASKET

We suggest that you place large items and the most difficult to clean items are to be placed into the lower basket: such as pots, pans, lids, serving dishes and bowls, as shown in the figure below. It is preferable to place serving dishes and lids on the side of the racks in order to avoid blocking the rotation of the top spray arm.

The maximum diameter advised for plates in front of the detergent dispenser is of 19 cm, this not to hamper the opening of it.

## 7.8 LOADING THE CUTLERY BASKET

Cutlery should be placed in the cutlery rack separately from each other in the appropriate positions, and do make sure the utensils do not nest together, this may cause bad performance.

- **Warnings:** 

Do not let any item extend through the bottom.

Always load sharp utensils with the sharp point down!

**For the best washing effect, please load the baskets refer to standard loading options on last section 6.**


## 7.9 FUNCTION OF THE RINSE AID AND DETERGENT

The rinse aid is released during the final rinse to prevent water from forming droplets on your dishes, which can leave spots and streaks. It also improves drying by allowing water to roll off the dishes. Your dishwasher is designed to use liquid rinse aids.

- **Warnings:**

Only use branded rinse aid for dishwasher. Never fill the rinse aid dispenser with any other substances (e.g. Dishwasher cleaning agent, liquid detergent). This would damage the appliance.

- **When to refill the rinse aid dispenser**

Unless the rinse-aid warning light (  ) on the control panel is on, you can always estimate the amount from the color of the optical level indicator located next to the cap. When the rinse-aid container is full, the indicator will be fully dark. The size of the dark dot decreases as the rinse-aid diminishes. You should never let the rinse aid level be less than 1/4 full.

As the rinse aid diminishes, the size of the black dot on the rinse aid level indicator changes, as illustrated below.

● Full   ● 3/4 full   ● 1/2 full   ● 1/4 full   ○ Empty

- **Function of detergent**

The chemical ingredients that compose the detergent are necessary to remove, crush and dispense all dirt out of the dishwasher. Most of the commercial quality detergents are suitable for this purpose.

- **Warnings:**

Proper Use of Detergent

Use only detergent specifically made for dishwashers use. Keep your detergent fresh and dry.

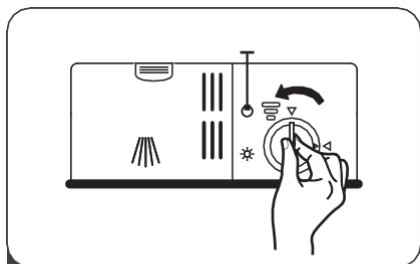
Don't put powdered detergent into the dispenser until you are ready to wash dishes.

**Dishwasher detergent is corrosive! Keep dishwasher detergent out of the reach of**

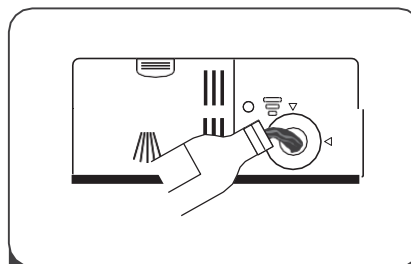
**children.** 



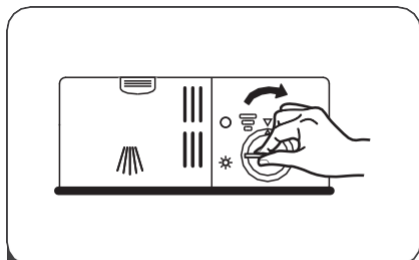
## 7.10 FILLING THE RINSE AID RESERVOIR



1. To open the dispenser, turn the cap to the "open" (left) arrow and lift it out.



2. Carefully pour in the rinse-aid into its dispenser, whilst avoiding it to overflow.



3. Replace the cap by inserting it aligned with "open" arrow and turning it to the closed (right) arrow.

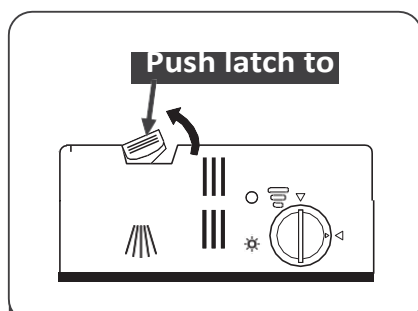
- **NOTE:**

Clean up any spilled rinse aid with an absorbent cloth to avoid excessive foaming during the next wash.

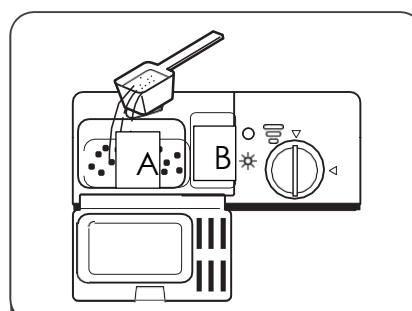
- **Adjusting the rinse aid reservoir**

The rinse aid reservoir has six settings. Both the recommended setting and the factory setting is "4". If the dishes are not drying properly or are spotted, adjust the dial to the next higher number until your dishes are spot-free. Reduce it if there are sticky whitish stains on your dishes or a bluish film on glassware or knife blades.

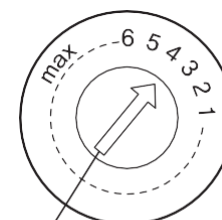
## 7.11 FILLING THE DETERGENT DISPENSER



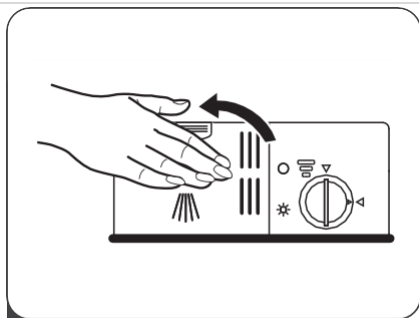
1. Press the release catch on the detergent dispenser to open the cover.



2. Add detergent into the larger cavity (A) for the main wash cycle. For more heavily soiled wash loads, also add some detergent into the smaller cavity (B) for the pre-wash cycle.



Adjust lever (Rinse)








3. Close the cover and press on it until it locks into place.

- **NOTE:**
- Be aware that depending on the soiling of water, setting may be different.
- Please observe the manufacturer's recommendations on the detergent packaging.

## 7.12 PROGRAMMING THE DISHWASHER

- **Wash Cycle Table**
- The table below shows which programs are best for the levels of food residue on them and how much detergent is needed. It also shows various information about the programs.
- (●) Means: need to fill rinse into the Rinse-Aid Dispenser.

Program	Description Of Cycle	Detergent Pre/Main	Running Time(min)	Energy (Kwh)	Water (L)	Rinse Aid
 <b>Intensive</b>	Pre-wash(50°C) Wash(60°C) Rinse Rinse(65°C) Drying	$\frac{5}{27.5g}$ (Or all in 1)	170	1.5	17.5	●
 <b>Heavy</b>	Pre-wash(45°C) Wash(55°C) Rinse Rinse(65°C) Drying	$\frac{5}{27.5g}$ (Or all in 1)	160	1.3	13.5	●
<b>ECO</b> (*AS/NZS 2007.1)	Pre-wash Wash(45°C) Rinse(50°C) Drying	$\frac{5}{27.5g}$ (Or all in 1)	170	0.71	12.5	●
 <b>Glass</b>	Pre-wash Wash(42°C) Rinse Rinse(60°C) Drying	$\frac{5}{27.5g}$ (Or all in 1)	125	0.8	13	●
 <b>90 Min</b>	Wash(65°C) Rinse Rinse(65°C) Drying	$\frac{5}{27.5g}$ (Or all in 1)	90	1.2	11.5	●
 <b>Rapid</b>	Wash(40°C) Rinse Rinse(45°C)	25g	30	0.6	11.5	○

- **NOTE:**

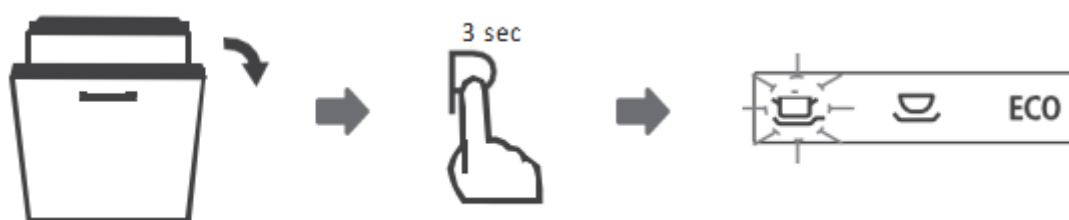
\*AS/NZS 2007.1: This program is the test cycle. The information for comparability test in accordance with \*AS/NZS 2007.1.

### 7.13 STARTING A CYCLE WASH

- Draw out the lower and upper basket, load the dishes and push them back. It is commended to load the lower basket first, then the upper one.
- Pour in the detergent.
- Insert the plug into the socket. The power supply refer to last page "Product fiche". Make sure that the water supply is turned on to full pressure.
- Close the door, press the Power button, to switch on the machine.
- Choose a program, the response light will turn on. Then press the Start/Pause button, the dishwasher will start its cycle.

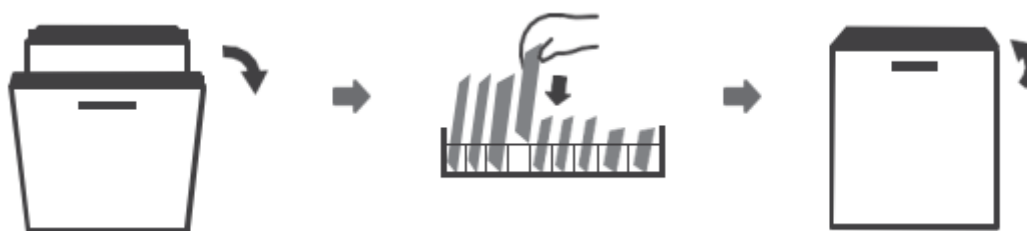
### 7.14 CHANGING THE PROGRAM MID-CYCLE FOR TRDWFS6014

- A wash cycle can only be changed if it has been running for a short time otherwise, the detergent may have already been released and the dishwasher may have already drained the wash water. If this is the case, the dishwasher needs to be reset and the detergent dispenser must be refilled. To reset the dishwasher, follow the instructions below:
- Open the door a little to stop the dishwasher, after the spray arm stop working, you can open the door completely.
- Press Program button more than three seconds the machine will be in stand by state.
- You can change the program to the desired cycle setting.



### 7.15 FORGET TO ADD A DISH? FOR TRDWFS6014

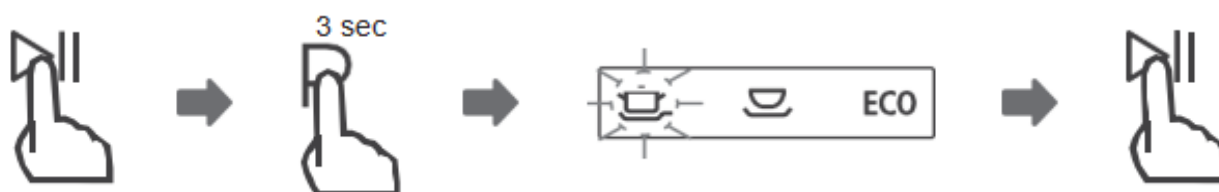
- A forgotten dish can be added any time before the detergent dispenser opens. If this is the case, follow the instructions below:
- Open the door a little to stop the washing.
- After the spray arms stop working, you can open the door completely.
- Add the forgotten dishes.
- Close the door.
- The dishwasher will run after 10 seconds.



- **Warnings:**
- It is dangerous to open the door mid-cycle, as hot steam may scald you.

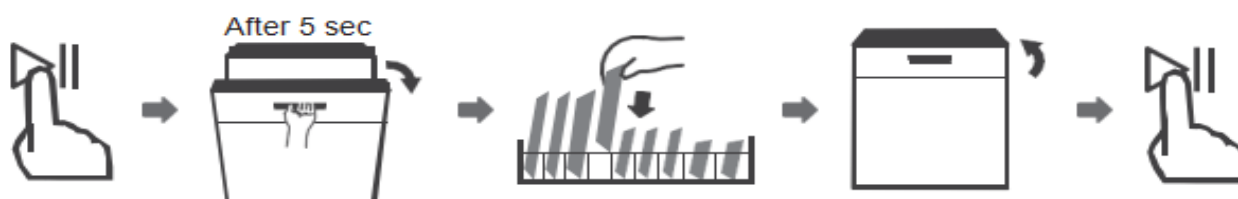
## 7.16 CHANGING THE PROGRAM MID-CYCLE TRDWFS6012

- A wash cycle can only be changed if it has been running for a short time otherwise, the detergent may have already been released and the dishwasher may have already drained the wash water. If this is the case, the dishwasher needs to be reset and the detergent dispenser must be refilled. To reset the dishwasher, follow the instructions below:
- Press the Start/Pause button to pause the washing.
- Press program button for more than 3 seconds - the program will cancel.
- Press the program button to select the desired program.
- Press the Start/Pause button, after 10 seconds, the dishwasher will start.



## 7.17 FORGET TO ADD A DISH? TRDWFS6012

- A forgotten dish can be added any time before the detergent dispenser opens. If this is the case, follow the instructions below:
- Press the Start/Pause button to pause the washing.
- Wait 5 seconds then open the door.
- Add the forgotten dishes.
- Close the door.
- Press the Start/Pause button after 10 seconds, the dishwasher will start.



- **Warnings:**
- It is dangerous to open the door mid-cycle, as hot steam may scald you.

## 7.18 ERROR CODES

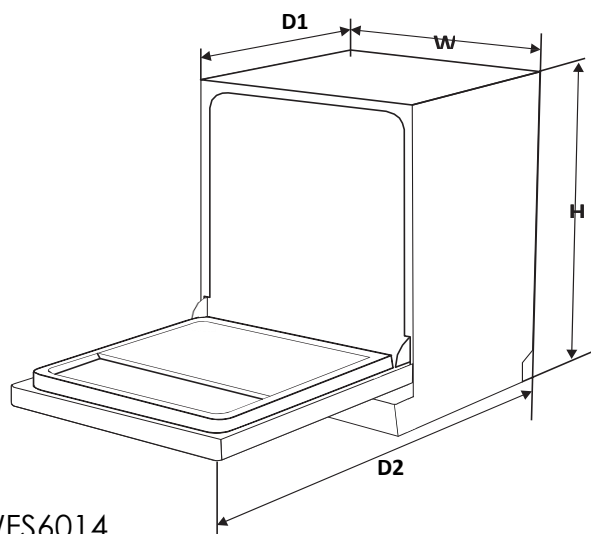
- If there is a malfunction, the dishwasher will display error codes to identify these:

Codes	Meanings	Possible Causes
The Rapid light flicker fleetly	Longer inlet time.	Faucets isnot opened, or water intake is restricted, or water pressure is too low.
The Rapid and Glass light flicker fleetly	Not reaching required temperature.	Malfunction of heating element.
The Glass light flicker fleetly	Overflow.	Some element of dishwasher leaks.
The ECO light flicker fleetly	Failure of orientation of dis-tributary valve.	Open circuit or break of dis-tributary valve.

- Warnings:**
- If overflow occurs, turn off the main water supply before calling a service.
- If there is water in the base pan because of an overfill or small leak, the water should be removed before restarting the dishwasher.

## 8 TECHNICAL DATA

### 8.1 TECHNICAL DATA SHEET



TRDWFS6014

<b>Height (H)</b>	815mm
<b>Width (W)</b>	598mm
<b>Depth (D1)</b>	570mm (with the door closed)
<b>Depth (D2)</b>	1175mm (with the door opened 90°)

TRDWFS6012



<b>Height (H)</b>	845mm
<b>Width (W)</b>	598mm
<b>Depth (D1)</b>	600mm (with the door closed)
<b>Depth (D2)</b>	1175mm (with the door opened 90°)

### 8.2 PRODUCT SPECIFICATION FOR TRDWFS6014

Manufacturer	Trinity
Model	<b>TRDWFS6014</b>
Standard place settings	TRDWFS6014 -14
Energy efficiency class	★ ★ ★ ☆ ☆ ☆ 3.5
Water consumption class	★ ★ ★ ★ ☆ ☆ 4.5
Standard cleaning cycle	ECO
Energy consumption of the	0.71 kWh

standard cleaning cycle	
Water consumption of the standard cleaning cycle	12.5 liter
Program duration of the standard cleaning cycle	170 min
Noise level	49 dB(A) re 1 pW
Mounting	Freestanding
Could be built-in	YES
Power consumption	1760-2100W
Rated voltage / frequency	AC 220-240V/50Hz
Water pressure (flow pressure)	0.04-1.0MPa=0.4-10 bar

### 8.3 PRODUCT SPECIFICATION FOR TRDWFS6012

Manufacturer	Trinity
Type / Description	TRDWFS6012
Standard place settings	12
Energy efficiency class	 3
Water consumption class	 4.5
Standard cleaning cycle	Normal
Energy consumption of the standard cleaning cycle	0.71 kWh
Water consumption of the standard cleaning cycle	10.5 liter
Program duration of the standard cleaning cycle	170 min
Noise level	49 dB(A) re 1 pW
Mounting	Free standing
Could be built-in	YES
Power consumption	1760-2100W
Rated voltage / frequency	AC 220-240V/50Hz
Water pressure (flow pressure)	0.04-1.0MPa=0.4-10 bar

## 9 PROBLEM SOLVER

### 9.1 BEFORE CALLING FOR SERVICE

- Reviewing the charts on the following pages may save you from calling for service.

Problem	Possible Causes	What To Do
Dishwasher doesn't start	Fuse blown, or the circuit break tripped.	Replace fuse or reset circuit breaker. Remove any other appliances sharing the same circuit with the dishwasher.
	Power supply is not turned on.	Make sure the dishwasher is turned on and the door is closed securely. Make sure the power cord is properly plugged into the wall socket.
	Water pressure is low	Check that the water supply is connected properly and the water is turned on.
	Door of dishwasher not properly closed.	Make sure to close the door properly and latch it.
Water not pumped from dishwasher	Twisted or trapped drain hose.	Check the drain hose.
	Filter clogged.	Check coarse the filter.
	Kitchen sink clogged.	Check the kitchen sink to make sure it is draining well. If the problem is the kitchen sink that is not draining, you may need a plumber rather than a serviceman for dishwashers.
Suds in the tub	Wrong detergent.	Use only the special dishwasher detergent to avoid suds. If this occurs, open the dishwasher and let suds evaporate. Add 1 gallon of cold water to the bottom of the dishwasher. Close the dishwasher door, then select any cycle. Initially, the dishwasher will drain out the water. Open the door after draining stage is complete and check if the suds have disappeared. Repeat if necessary.



<b>Problem</b>	<b>Possible Causes</b>	<b>What To Do</b>
	Spilled rinse-aid.	Always wipe up rinse-aid spills immediately.
Stained tub interior	Detergent with colourant may have been used.	Make sure that the detergent has no colourant.
White film on inside surface	Hard water minerals.	To clean the interior, use a damp sponge with dishwasher detergent and wear rubber gloves. Never use any other cleaner than dishwasher detergent otherwise, it may cause foaming or suds.
There are rust stains on cutlery	The affected items are not corrosion resistant.	The items should be corrosion resistant.
Knocking noise in the dishwasher	A spray arm is knocking against an item in a basket	Interrupt the program and rearrange the items which are obstructing the spray arm.
Rattling noise in the dishwasher	Items of crockery are loose in the dishwasher.	Interrupt the program and rearrange the items of crockery.
Knocking noise in the water pipes	This may be caused by on-site installation or the cross-section of the piping.	This has no influence on the dishwasher function. If in doubt, contact a qualified plumber.
The dishes are not clean	The dishes were not loaded correctly.	See notes in "Loading & unloading your dishwasher".
	The program was not powerful enough.	Select a more intensive program.

<b>Problem</b>	<b>Possible Causes</b>	<b>What To Do</b>
The dishes are not clean.	Not enough detergent was dispensed.	Use more detergent, or change your detergent.
	Items are blocking the movement of the spray arms.	Rearrange the items so that the spray can rotate freely.
	The filter combination is not clean or is not correctly fitted in the base of wash cabinet. This may cause the spray arm jets to get blocked.	Clean and/or fit the filter correctly. Clean the spray arm jets.
Cloudiness on glassware.	Combination of soft water and too much detergent.	Use less detergent if you have soft water and select a shorter cycle to wash the glassware and to get them clean.
Black or grey marks on dishes	Aluminium utensils have rubbed against dishes	Use a mild abrasive cleaner to eliminate those marks.
Detergent left in dispenser	Dishes block detergent dispenser	Re-loading the dishes properly.
The dishes aren't drying	Improper loading	Load the dishwasher as suggested in the directions.
	Too little rinse-aid	Increase the amount of rinse-aid/refill the rinse-aid dispenser.
	Dishes are removed too soon	Do not empty your dishwasher immediately after washing. Open the door slightly so that the steam can come out. Take out the dishes until the inside temperature is safe to touch. Unload the lower basket first to prevent the dropping water from the upper basket.

Problem	Possible Causes	What To Do
The dishes aren't drying	Wrong program has been selected.	With a short program, the washing temperature is lower, decreasing cleaning performance. Choose a program with a long washing time.
	Use of cutlery with a low-quality coating.	Water drainage is more difficult with these items. Cutlery or dishes of this type are not suitable for washing in the dishwasher.

## 10 DISPOSAL

---



This appliance requires special waste disposal. For further information regarding the treatment, recovery and recycling of this product please contact your local council, household waste disposal service or the store where you purchased it.

The packaging materials are recyclable.

## 11 CUSTOMER CARE

---

- Please be advised that without the proof of purchase, your warranty may not be valid, **keep the receipt**.

For your convenience, please record:

STORE NAME/CONTACT DETAILS: .....

PURCHASE DATE: .....

PRODUCT MODEL N: .....

PRODUCT SERIAL N: .....

- The warranty will be voided, if not installed by a licensed professional.

For your own protection, please record installer's details:

Installer's Trade Name:.....

Trade Licence N: .....

Date of Installation: .....

Installation Receipt:.....

For further information on the appliance, service, spare parts or to obtain dimension and installation information, please contact our customer service or visit website.

***Please have above information and documents on hands before contacting customer service***

**Phone: 1300 380 088**

**Email: [info@trinityappliances.com.au](mailto:info@trinityappliances.com.au)**

**Web: [trinityappliances.com.au](http://trinityappliances.com.au)**

