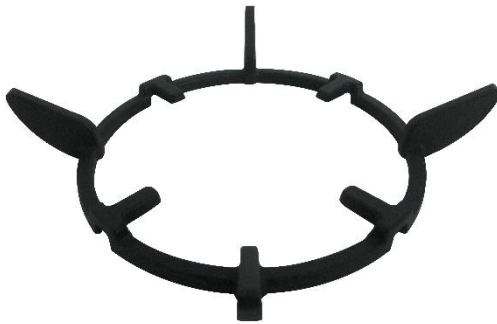




# 90cm 5 Burner Gas Stainless Steel Cooktop

TRG900SS



## KEY FEATURES

- Front control operation
- Automatic ignition
- Heavy duty metal pan stands
- Flame failure safety device on each burner
- Wok Support
- Cast Iron Trivets
- LPG conversion kit

### GENERAL

Type	Built-in
Size	90 cm
Finish	Stainless Steel
Functions	Knob

### Technical specification

Voltage Rating	220–240 V AC 50/ 60 Hz
Max Rated Inputs	0.0008KW
Cooking Zones	5 Burner
Mains Supply Lead	3 core x 0.75mm <sup>2</sup> (Type RR-F <HAR> marked)
Type	Natural Gas (1.0 KPa) LPG (2.75KPa)
Power Cord	1 m
Mains cable	Yes

### COOKTOP

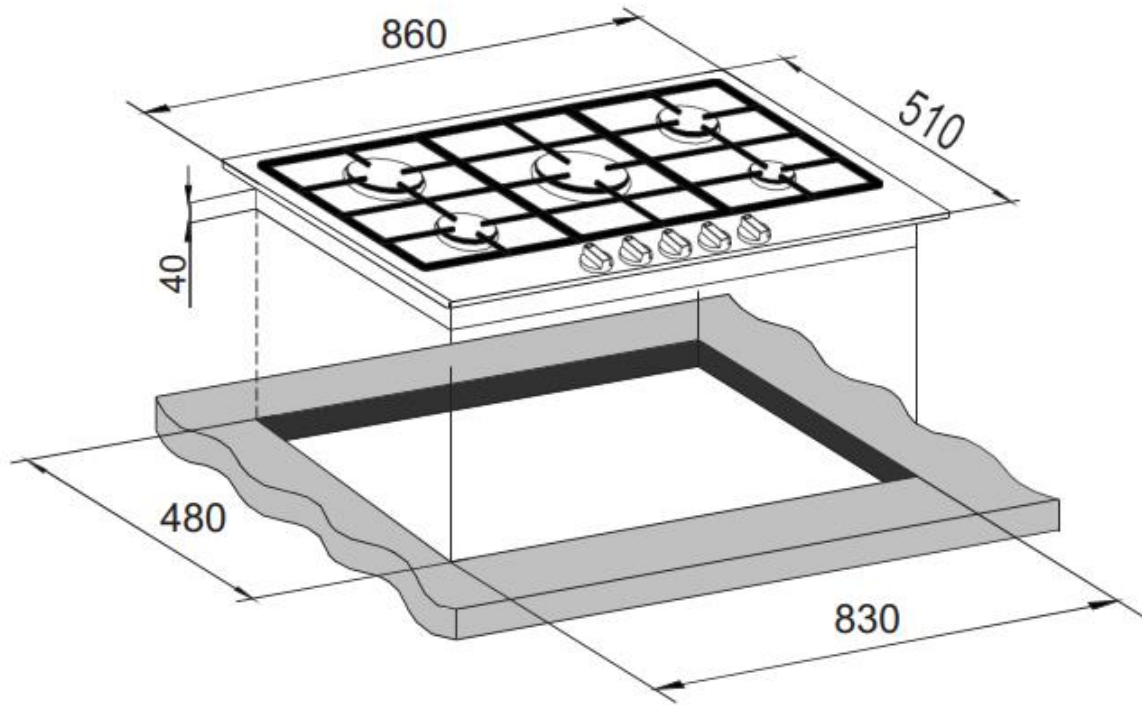
Burner Configuration	5- Gas Burner
Middle	1 x 14.4 MJ/h triple crown (wok) burner(NG)
Front left	1 x 3.6 MJ/h auxiliary burner(NG)
Front right	1 x 10.8 MJ/h rapid burner(NG)
Rear left	2 x 6.5 MJ/h semi-rapid burners(NG)
Rear right	2 x 6.5 MJ/h semi-rapid burners(NG)
Pan Support Type	Cast Iron Continuous Pan Supports

### DIMENSIONS

Cut-Out Dim. (W x H)	830 x 480 mm
Product Dim. (W x H x D)	860 x 510x 40 mm
Product Weight	14.1 kg
Packed Dim (W x H x D)	920 x 550 x 145 mm
Packed Weight	14.8 kg

NOTE TO THE INSTALLER: Dimensions, specifications and drawings not to scale and to assist as a guide only. Trinity Appliances reserves the absolute and unrestricted right to change product materials and specifications, at any time, without notice. Physical product measurements of actual product must be taken prior to installation and making a cutout. Proper installation is the responsibility of the installer. Product failure due to improper installation is not covered under the Product Warranty.





## Product Dimensions

## Cut-Out Dimensions

Height: 510mm  
Width: 860mm  
Depth: 40mm

480mm  
830mm

NOTE TO THE INSTALLER: Dimensions, specifications and drawings not to scale and to assist as a guide only. Trinity Appliances reserves the absolute and unrestricted right to change product materials and specifications, at any time, without notice. Physical product measurements of actual product must be taken prior to installation and making a cutout. Proper installation is the responsibility of the installer. Product failure due to improper installation is not covered under the Product Warranty.



# 90cm 5 Burner Gas Stainless Steel Cooktop

TRG900SS

NOTE TO THE INSTALLER: Dimensions, specifications and drawings not to scale and to assist as a guide only. Trinity Appliances reserves the absolute and unrestricted right to change product materials and specifications, at any time, without notice. Physical product measurements of actual product must be taken prior to installation and making a cutout. Proper installation is the responsibility of the installer. Product failure due to improper installation is not covered under the Product Warranty.

1300615001 | [trinityappliances.com.au](http://trinityappliances.com.au)

© 2021 Trinity Appliances

