

60cm Built-in Curved Glass Rangehood

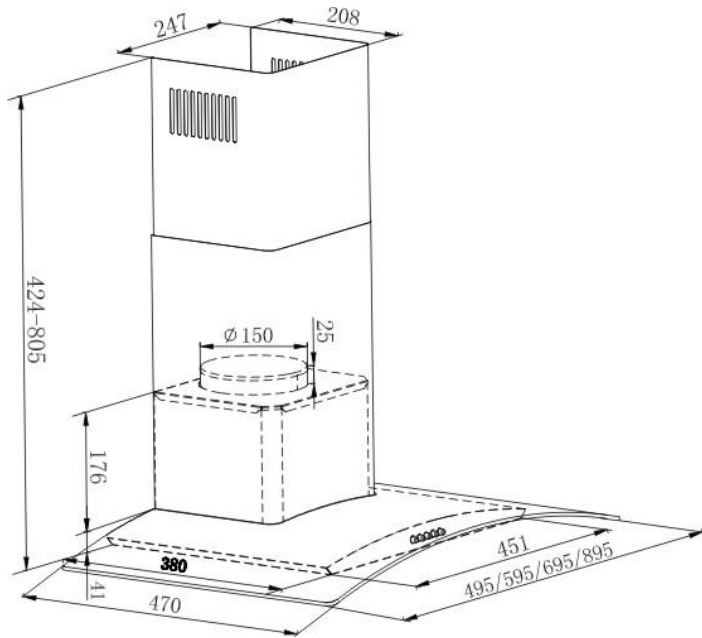
TR60G60


GENERAL	
Installation	Built-in
Size	60 cm
Material	Stainless Steel+Glass
Color	Silver+Black
Control Design	Touch control
SPECIFICATIONS	
Fan Speed	3-speed
Exhaust Air Power	500 cbm/h
Lighting	2 x 1.5W LED lamp
Filter	Aluminum filter x 1 (3 layers)
Flue	350mm+350mm Sliding Chimney
Pipe	1.5m Aluminium Pipe
AVAILABLE ACCESSORIES	
Filter	/
Flue	350mm+350mm Sliding Chimney
POWER / RATINGS	
Voltage Rating	220-240 V~ 50/60 Hz
Power Rating	230W motor+ 2x1.5W LED
Power Cord	1m with 10A AU plug
DIMENSIONS	
Product Dim. (H x W x D)	424-805 x 595x 470 mm
Product Weight	10.5 kg
Packed Dim. (H x W x D)	650*375*550 mm
Packed Weight	12.08 kg

KEY FEATURES

- 7 mm Thickness Stainless Steel panel
- Aluminium Washable Filters
- 500 CBM/H Airflow
- 10Amp Australian Power Plug
- Powerful 3-Speed Exhaust Motor

NOTE TO THE INSTALLER: Dimensions, specifications and drawings not to scale and to assist as a guide only. Trinity Appliances reserves the absolute and unrestricted right to change product materials and specifications, at any time, without notice. Physical product measurements of actual product must be taken prior to installation and making a cutout. Proper installation is the responsibility of the installer. Product failure due to improper installation is not covered under the Product Warranty.



Product Dimensions

Height: 424-805mm

Width: 595mm

Depth: 470mm

NOTE TO THE INSTALLER: Dimensions, specifications and drawings not to scale and to assist as a guide only. Trinity Appliances reserves the absolute and unrestricted right to change product materials and specifications, at any time, without notice. Physical product measurements of actual product must be taken prior to installation and making a cutout. Proper installation is the responsibility of the installer. Product failure due to improper installation is not covered under the Product Warranty.