

60cm Wall Canopy Tower Rangehood

TR60C60



KEY FEATURES

- 0.7 Mm Thickness Stainless Steel
- Aluminium Washable Filters
- 400 CBM/H Airflow
- Hardwire Connection
- Powerful 3-Speed Exhaust Motor

GENERAL

Installation	Wall-Mounted
Size	60 cm
Material	Stainless Steel
Color	Silver
Control Design	Push Button

SPECIFICATIONS

Fan Speed	3-speed
Exhaust Air Power	400 cbm/h
Lighting	40W Normal Lamp x 2
Filter	3 layers Aluminium Filer x 2
Flue	350+350mm Sliding Chimney
Pipe	1.5m Aluminium Pipe

AVAILABLE ACCESSORIES

Filter	Buffle filters
Flue	/

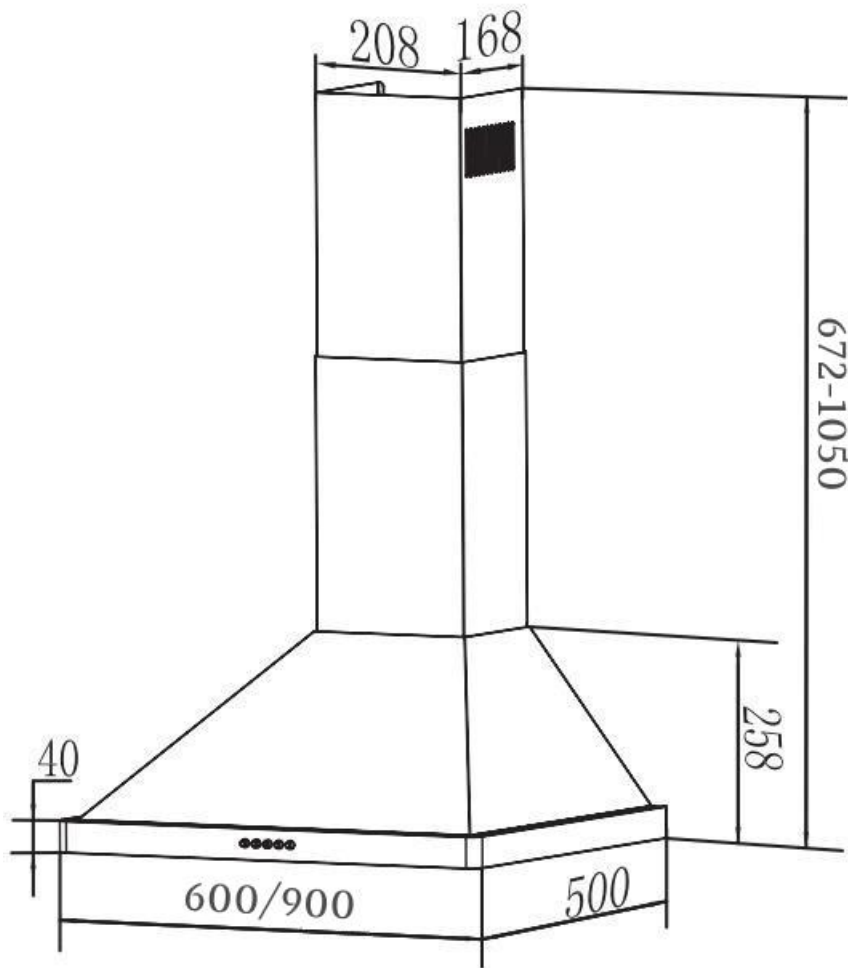
POWER / RATINGS

Voltage Rating	220V ~ 50 Hz
Power Cord	No Plug

DIMENSIONS

Product Dim. (H x W x D)	672-1050 x 600 x 500 mm
Product Weight	7.5kg
Packed Dim. (H x W x D)	240 x 650 x 550mm
Package Weight	8.28kg

NOTE TO THE INSTALLER: Dimensions, specifications and drawings not to scale and to assist as a guide only. Trinity Appliances reserves the absolute and unrestricted right to change product materials and specifications, at any time, without notice. Physical product measurements of actual product must be taken prior to installation and making a cutout. Proper installation is the responsibility of the installer. Product failure due to improper installation is not covered under the Product Warranty.



Product Dimensions

Height: 672-1050mm

Width: 600mm

Depth: 500mm

NOTE TO THE INSTALLER: Dimensions, specifications and drawings not to scale and to assist as a guide only. Trinity Appliances reserves the absolute and unrestricted right to change product materials and specifications, at any time, without notice. Physical product measurements of actual product must be taken prior to installation and making a cutout. Proper installation is the responsibility of the installer. Product failure due to improper installation is not covered under the Product Warranty.

