

120cm Wall Canopy BBQ Rangehood

TR110120

GENERAL

Installation	Wall-Mounted
Size	90 cm
Material	Stainless Steel
Color	Silver
Control Design	Push Button

SPECIFICATIONS

Fan Speed	3-speed
Exhaust Air Power	1000 cbm/h x 2
Lighting	1.5W LED Lamp x 6
Filter	Stainless Steel Baffle Filter x 8
Flue	600+600mm Chimney
Pipe	150mm*2m PVC Pipe

AVAILABLE ACCESSORIES

Filter	
Flue	

POWER / RATINGS

Voltage Rating	220-240 V~ 50/ 60 Hz
Power Cord	1.5m cable with 3 pin Plug

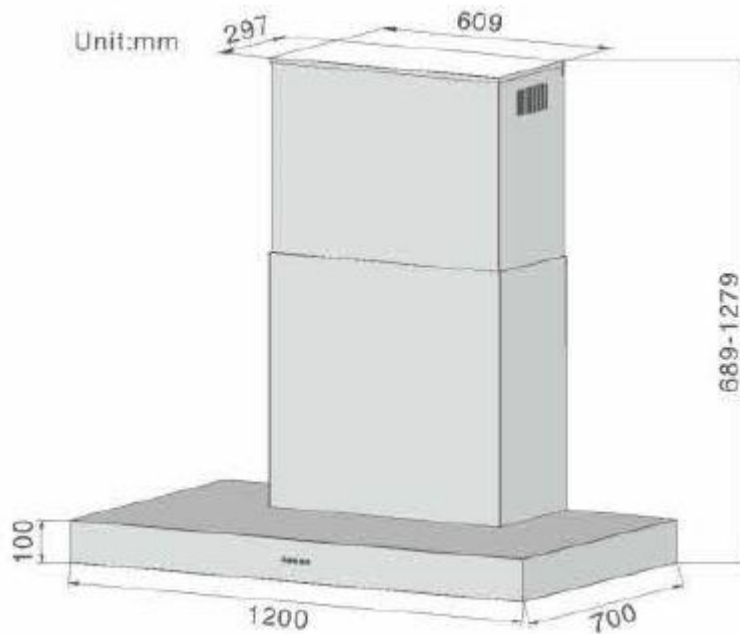
DIMENSIONS

Product Dim. (H x W x D)	689-1279 x 1200 x 700 mm
Product Weight	40.3 kg
Packed Dim. (H x W x D)	1265 x 470 x 785 mm
Package Weight	43.3 kg

KEY FEATURES

- 304 Non-Magnetic Stainless Steel
- 8 x S/S Baffle Filters
- 2 x 1000 CBM/H Airflow
- Australian Power Plug
- Powerful 3-Speed Exhaust Motor
- Exhaust Duct Diameter: 150mm

NOTE TO THE INSTALLER: Dimensions, specifications and drawings not to scale and to assist as a guide only. Trinity Appliances reserves the absolute and unrestricted right to change product materials and specifications, at any time, without notice. Physical product measurements of actual product must be taken prior to installation and making a cutout. Proper installation is the responsibility of the installer. Product failure due to improper installation is not covered under the Product Warranty.



Product Dimensions

Height: 689-1279mm

Width: 1200mm

Depth: 700mm

NOTE TO THE INSTALLER: Dimensions, specifications and drawings not to scale and to assist as a guide only. Trinity Appliances reserves the absolute and unrestricted right to change product materials and specifications, at any time, without notice. Physical product measurements of actual product must be taken prior to installation and making a cutout. Proper installation is the responsibility of the installer. Product failure due to improper installation is not covered under the Product Warranty.