



Comfort, Aesthetics and Reliability

User Manual

Slide-out Rangehood 60cm and 90cm
Model Code: TR60S60, TR90S90

Please read this manual carefully before using, and keep it for future reference.

CONTENTS

| | | |
|-----|--|----|
| 1 | PACKAGE | 3 |
| 1.1 | IMPORTANT - CHECK FOR ANY DAMAGE OR MARKS..... | 3 |
| 1.2 | HANDLING..... | 3 |
| 1.3 | UNPACKING..... | 3 |
| 1.4 | BEFORE USING YOUR NEW APPLIANCE | 4 |
| 2 | SAFETY WARNINGS..... | 5 |
| 2.1 | IMPORTANT INFORMATION | 5 |
| 2.2 | WARNING..... | 5 |
| 2.3 | USAGE CONDITIONS AND RESTRICTIONS | 7 |
| 3 | PRODUCT OVERVIEW | 8 |
| 3.1 | LAYOUT | 8 |
| 3.2 | RANGEHOOD COMPONENTS..... | 8 |
| 3.3 | OPTIONAL ACCESSORIES | 8 |
| 4 | INSTALLATION | 9 |
| 4.1 | INSTALLATION WARNINGS | 9 |
| 4.2 | INSTALLATION PREPARATION | 9 |
| 4.3 | POSITIONING THE RANGEHOOD | 10 |
| 4.4 | EXHAUST WAY SELECTION | 10 |
| 4.5 | CABINET INSTALLATION..... | 12 |
| 5 | USING RANGEHOOD | 14 |
| 5.1 | CONTROLS | 14 |
| 6 | CARE AND MAINTENANCE | 14 |
| 6.1 | CLEANING THE BAFFLE FILTERS | 15 |
| 6.2 | STAINLESS STEEL SURFACES | 15 |
| 6.3 | CONTROL PANEL SURFACE | 16 |
| 6.4 | CHANGING A LIGHT GLOBE | 16 |
| 7 | TROUBLESHOOTING | 17 |
| 7.1 | IN CASE OF EMERGENCY | 17 |
| 8 | TECHNICAL SPECIFICATIONS | 19 |
| 9 | DISPOSAL | 20 |
| 10 | CUSTOMER CARE | 21 |

Congratulations on purchasing your new appliance!

We recommend that you read this Instruction and Installation Manual in order to fully understand how to install and operate it correctly. For installation, please read the installation section. Read all the safety instructions carefully before use and keep this User Manual for future reference.

1 PACKAGE

1.1 IMPORTANT - CHECK FOR ANY DAMAGE OR MARKS

Please thoroughly inspect your goods **at the delivery time**, if you notice any damage to your goods:

- Please notify the delivery team at the time of delivery and **do NOT accept damaged product**.
- Please notify us immediately as the problem can be instantly solved and damaged product can be returned to the courier office.

When package is opened, and damage/marks are found on the appliance, it must be reported within 24 hours. Do not install or connect the item and keep the package as it was originally if you wish to claim for damage/marks under the manufacturer's warranty. This does not affect your statutory rights.

Evidence of damage will be required.

1.2 HANDLING

- Do not use cable, door and/or handle to carry or move the appliance.
- Carry out the movements and transportation in the original packaging.
- Pay maximum attention to the appliance while loading/unloading and handling.
- Ensure that the packaging is securely closed during handling and transportation.
- Protect from external factors (such as humidity, water, etc.) that may damage the packaging.
- Take caution while handling and transporting appliance to prevent risk of poor operation due to possibility of bumps, crashes, drops, etc.

1.3 UNPACKING

- During transportation, protective packaging is used to protect the appliance against any damage. After unpacking, please dispose of all packaging in a sustainable and environmentally friendly manner.

- All materials used for packaging are environmentally friendly and are fully recyclable.

CAUTION: *During unpacking, the packaging materials (polythene bags, polystyrene pieces, etc.) should be kept out of reach of children.*

1.4 BEFORE USING YOUR NEW APPLIANCE

- Read this guide, taking special note of the 'Safety Warnings' section.
- Remove any protective film that may still be on your appliance.

NOTE:

This instruction manual has been prepared jointly for multiple models. Some of the specifications explained in the manual, may be slightly different or not be included in your appliance. Pay attention to the explanations with illustrations while reading the manual.

2 SAFETY WARNINGS

2.1 IMPORTANT INFORMATION

Your safety is important to us. Please read this manual thoroughly before you start using the appliance.

The safety precautions instructions reduce the risk of fire, electric shock and injury when correctly complied to.

Please follow all instructions and take notice of all warnings.

This rangehood (cooker hood) is a domestic appliance which has been manufactured and tested to comply with Australian and New Zealand Standard AS/NZS 60335.2.31.

2.2 WARNING

INSTALLATION:

- This rangehood must only be installed in accordance with the instructions provided. Incorrect installation may cause harm to persons, damage to property and void the product's warranty. Read the following carefully to avoid damage or injury.
- Ensure the appliance is connected to a well place earth wiring system, before carrying out any work, repairs or maintenance on this appliance, it has to be disconnected from the mains. If possible switch of the rangehood from the wall before cleaning, failure to do so may result in electric shock or death.
- Never carry out flammable cooking under the cooker hood.
- This cooker hood is suitable for use over barbecues.
- This cooker hood cannot be installed for external use, only to be installed indoors.
- The grease filters must be removed every four weeks (at a maximum) for cleaning to reduce the risk of fire.
- The exhaust from the cooker hood must not be discharged into any heating flue, which may carry combustion products from other sources.
- Exhaust air must not be discharged into a wall cavity, unless the cavity is designed for the purpose.
- There shall be adequate ventilation of the room when the range hood is used at the same time as appliances burning gas or other fuels, not applicable that only discharge the air back into the room.
- Regulations concerning the discharge of air have to be fulfilled.
- There must be adequate ventilation of the room when the cooker hood is used at the same time as appliances burning gas or other fuels.

- Your new rangehood is guaranteed against electrical or mechanical defects, subject to certain exclusions that are noted in the Warranty Terms and Conditions. The foregoing does not affect your statutory rights.
- Always cover lit gas burners with pots or pans when cooker hood is in use.
- Always switch off gas burners before you remove pots or pans.
- Do not leave lit gas burners exposed due to the risk of fire.

ELECTRICAL CONNECTION

Check that the mains voltage matches with the voltage on the data plate inside the cooker hood. Check that the installation complies with standards of local building, gas and electrical authorities. Before connecting to the mains supply, ensure that the mains voltage corresponds to the voltage on the rating plate inside the cooker hood.

WARNING: *If the supply cord is damaged, it must be replaced by the manufacturer or its service agent or similarly qualified person in order to avoid a hazard.*

WARNING: *All electrical work must be done in accordance with local and national electrical codes as applicable and should be undertaken by licensed and qualified professional.*

SAFETY WARNINGS – FOR THE INSTALLER

When installing the cooker hood, make sure you adhere to the minimum and maximum distances from the cooker hood base to the cook top surface as informed below in related chapter.

EXHAUST FLUE INSTALLATION

The following rules must be strictly followed to obtain optimal air extraction.

- Keep exhaust corrugated flue short and straight.
- Do not reduce the size or restrict exhaust corrugated flue.
- Keep bends in the exhaust corrugated flue to a minimum, the more bends the lower the extraction performance.
- When using flexible flue always install duct with helix pulled taut to minimise pressure loss.
- Failure to observe these basic instructions will drastically reduce the performance and increase the noise levels of the cooker hood.
- Exhaust air must not be discharged into a wall cavity, unless the cavity is designed for that purpose. The exhaust from the cooker hood must not be discharged into any heating flue, which may carry combustion products from other sources.

NOTE: *Some installations may require the expandable/telescopic ducting to be cut to length.*

Cut with sharp fin snips or a fine-tooth hack saw blade, taking care not to distort or dent the exhaust cover. Where using expandable ducting, it's important to have the ducting fully taught to maximise efficiency of the airflow.

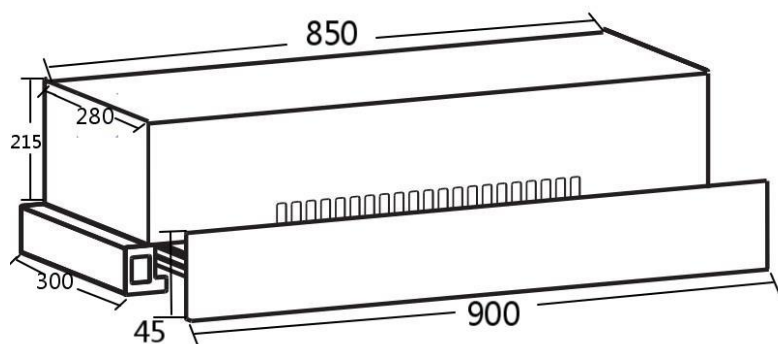
2.3 USAGE CONDITIONS AND RESTRICTIONS

- Supervision over children is to ensure that they do not play with the appliance. Never allow them to use, play with or crawl inside the appliance.
- Cleaning and maintenance must not be done by children.
- This appliance is not to be used by persons (including children) with reduced physical, sensory or mental capabilities, or lack of experience and knowledge, unless under responsible supervision and instruction to ensure appliance hazards are understood.
- Make sure to read all rules and regulations in this manual. Anyone who is not familiar with this appliance are not to operate it. These instructions do not cover every possible situation or condition as with any appliance. Use extreme caution when installing, operating and maintaining this appliance.
- For domestic use only. It is not to be used for industrial or commercial use.
- Do not use this product for anything other than its intended purpose, and only use it as described in this manual. Do not attempt to alter or modify this appliance.
- Do not allow children to operate or play with this appliance.
- Make sure you do not use the appliance if any part has been damaged. It must only be repaired by a qualified technician. An incorrect repair could expose you to risk of electric shock, fire or injury. If you continue to use the product in such a condition it could cause a fire or electrocution.
- Do not store items on the appliance surfaces.
- Disconnect the appliance from the mains (if it's accessible) before cleaning.
- Do not cover the appliance or power cord in any water or other liquids.
- Do not use any steam cleaning products for the cleaning of this appliance.
- Do not disconnect the appliance by using wet hands, gripping end of plug and forcefully pulling cord to disconnect.
- Do not use appliance if there is a technical fault. All faults must be fixed by a qualified/authorised and licensed person.
- Incorrect use can result in property damage, injury or death. We assume no liability for misuse of the appliance or noncompliance with these instructions.
- Only plug this unit into a properly earthed outlet. If in doubt seek advice from a suitably qualified technician.

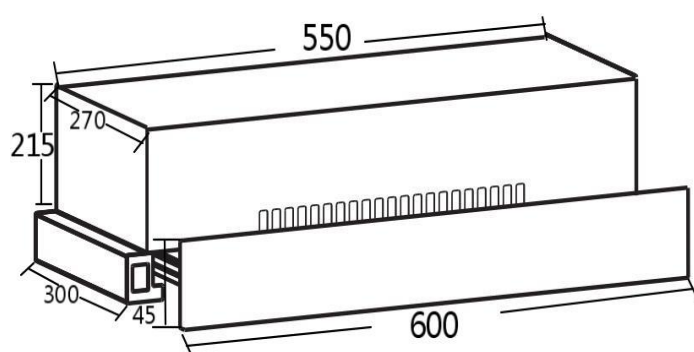
3 PRODUCT OVERVIEW

3.1 LAYOUT

- TR90S90



- TR60S60



3.2 RANGEHOOD COMPONENTS

The Slide-out Rangehood is supplied with:

- 1 × Rangehood
- 1 × Set of the Installation kit (brackets and fasteners)
- 2 x Re-circulation charcoal filter
- 1 × User Manual

3.3 OPTIONAL ACCESSORIES

Following accessories can be purchased separately via contacting our Customer Service.

- Various ducting solutions (rigid ducting, adapters, vents/outlets and elbow bends)

4 INSTALLATION

4.1 INSTALLATION WARNINGS

Before starting the installation, please refer to the Safety Information section.

- Always switch the power off prior to beginning the installation.
- Ensure to handle appliance carefully as stainless steel can be easily damaged during installation.
- Wherever possible, protect the rangehood with the cardboard box or plastic.
- A power point must be located within 1.5m of the power cord exit from the rangehood, and it should be always accessible to allow isolation from power during cleaning or maintenance.
- All ducting must comply with building codes and local requirements.
- If you are re-circulating the air, rather than ducting, please ensure that the side outlet grilles are not obstructed in any way as this will affect the efficiency of the rangehood.
- Ensure that the rangehood is mounted in a level position, both horizontally and vertically. This is essential to ensure the rangehood operates correctly and prevents grease build up at one end.

IMPORTANT: Never use a silicone around your rangehood or flue pieces. Never install the rangehood or flue pieces into the plaster ceiling which prevents easy access to the rangehood for servicing requirements.

IMPORTANT: Before installing your rangehood, please record the details of your rangehood's rating label. Usually this label is located inside the chamber behind the aluminium grease filters. This will be helpful should you need to contact for service in the future.

4.2 INSTALLATION PREPARATION

TOOLS AND MATERIAL REQUIRED FOR INSTALLATION

- Duct tape or cable ties
- Ducting relevant to your installation requirements
- (including any rigid bends, vents and/or adapters)
- Drill and/or screwdriver
- Spirit Level; Tape Measure; Jigsaw; Ladder

4.3 POSITIONING THE RANGEHOOD

IMPORTANT: *The height of the rangehood underside must be a minimum of 600mm to a maximum 800mm from the top of your cooktop surface (for gas cooktops this is the top of the gas burner).*

NOTE: *If the installation instructions for your cooktop specify a greater distance than the minimum, then that shall be the minimum height for installation.*

| COOKTOP FUEL TYPE: | DIMENSION A | |
|---|-------------|---------|
| | Minimum* | Maximum |
| Gas (multiple burners with maximum 45.4 MJ/h total output and no single burner exceeding 16.2 MJ/h output) | 650mm | 800mm |
| Gas (multiple burners with total output greater than 45.4 MJ/h but less than 77.8 MJ/h, and no single burner exceeding 17.3 MJ/h output) | 760mm | 800mm |
| Gas (single burner not exceeding 21.6 MJ/h output) | 650mm | 800mm |
| Gas (single burner with an output greater than 21.6 MJ/h but not exceeding 29.2 MJ/h) | 760mm | 800mm |
| Electric | 600mm | 800mm |

NOTE: *If the installation instructions for your cooktop specify a greater distance than the minimum, then that shall be the minimum height for installation.*

4.4 EXHAUST WAY SELECTION

Before beginning the installation of the rangehood, the method of ducting should be considered and selected.

NOTE: *This rangehoods can be operated in re-circulation mode.*

For better operation and performance, it is recommended to duct vent outside wherever it is possible. The guide below illustrates the various ducting options. *Below information is only a reference and the most suitable way of ventilation shall be decided by professional installer.*

DUCTING OUTSIDE OPTION

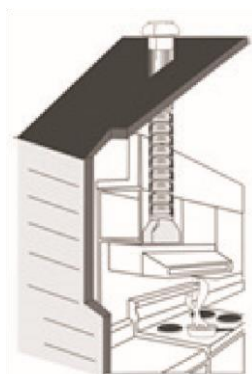
Please follow the below tips on how to correctly duct your rangehood:

- Always use correctly sized ducting.
- Do not reduce the size of the ducting.
- Always use solid ducting.
- Always use non-flammable ducting.
- Do not use flexible ducting.
- Do not duct into the ceiling space.
- Avoid sharp 90-degree bends as much as possible. Use 45-degree bends instead wherever possible.
- Duct to the outside using the shortest duct run possible.
- Use cylindrical ducting whenever possible.

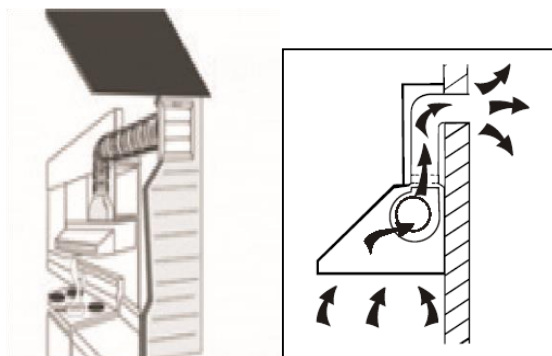
1. Into the ceiling cavity and then vented through your eaves



2. Straight up and through the roof



3. Through the wall



4.5 CABINET INSTALLATION

NOTE: Remove the filter grills before installation to avoid damage during lifting and handling.

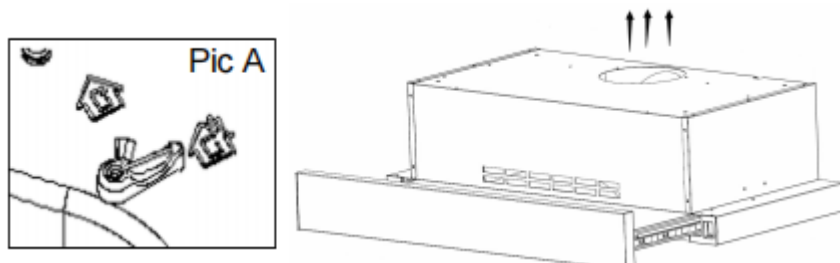
Before Installation, please confirm the unit operates correctly.

- Extraction Mode

The hood will vent from the top outlet.

Switch to the extraction mode on the motor. Please pic A below

Install the air outlet adaptor if provided and extension pipe if provided



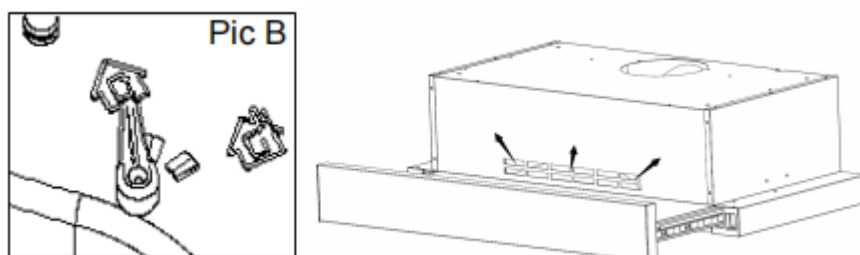
- Re-circulation Mode

The hood will vent from the front outlet and recirculate back to the kitchen.

The Carbon Filters are needed to be mounted on the motor.

Note:

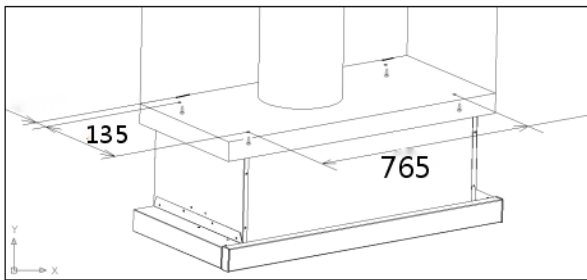
If the Carbon Filters are preassembled already, please remove the adhesive tape on the filters before installation.



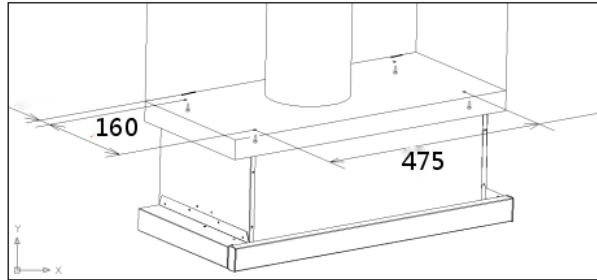
Cabinet Mounting

- ✓ Drill 4 holes of 6mm diameter at the bottom of the hanging cupboard.
- ✓ Fix the one way valve to the cooker hood.
- ✓ Install the cooker hood on the bottom of the hanging cupboard and tighten the hood with the enclosed 4 screws.
- ✓

- TR90S90

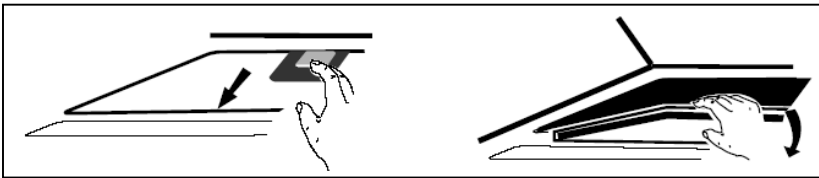


- TR60S60

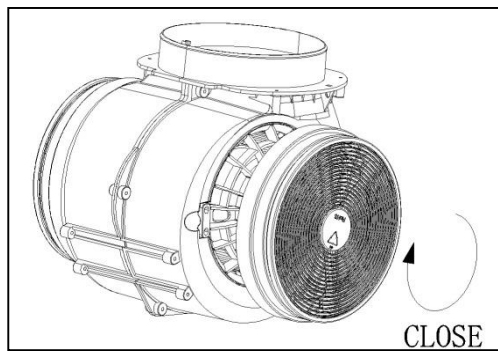


Installing the activated carbon filters.

The grease filter should be detached first. Press the lock and pull it downward.



Plug the activated carbon filter into the unit and turn it in clockwise direction. Repeat the same on the other side.



Note:

- ✓ The ducting is an optional accessory, it may not be supplied.
- ✓ Remove the protection film before installation.
- ✓ Make sure the filter is securely locked. Otherwise, it would loosen and cause dangerous.
- ✓ When activated carbon filter attached, the suction power will be lower.

5 USING RANGEHOOD

5.1 CONTROL

Mechanical Rocker button



Light button - On the left side of hood.



Speed button - On the right side of hood.

“=” High speed level.

“o” Off

“-” Low speed level.

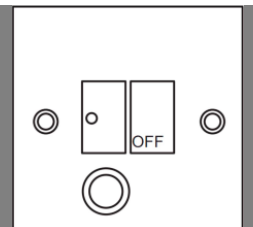
6 CARE AND MAINTENANCE

Proper cleaning and maintenance of this rangehood will ensure long fault free operation.



Warning!

Always switch off the electricity supply before performing maintenance work. In the event of a fault, contact customer service.



CAUTION:

- Before maintenance or cleaning is carried out, the rangehood should be disconnected from the main power supply. Ensure that the cooker hood is switched off at the wall socket and the plug removed.

- Stainless steel is susceptible to marks and abrasions, so please follow the cleaning instructions to ensure the best possible results are achieved without damage.
- The instructions within this manual must be followed to avoid a fire risk.
- Keep the motor and other spare parts free from water, as this will cause damage to the appliance.
- Damaged power cables should be replaced by a qualified electrician

6.1 CLEANING THE ALUMINIUM FILTERS

- Keeping this filter clean will keep the rangehood extraction performance at an optimum. Please strictly follow the guidelines below.
- Please ensure you never use a corrosive detergent during cleaning.
- To remove the filter, use a finger to pull the small locking latch on each filter to release it from the rangehood body. Be careful, as the filter can easily drop down once released and scratch or damage your cooktop.
- The filters collect grease, smoke and dust so the filter is directly affecting the efficiency of the cooker hood.
- If not cleaned, the grease residue (potentially flammable) will saturate on the filter. Clean it with household cleaning detergent.

Option A: Put the filter into 40–50°C clean water with a small amount of regular dishwashing liquid, and soak for 2–3 mins. Wear gloves and clean with a soft brush. Please do not apply too much pressure, or the baffle filter will damage easy.

Option B: You can wash your rangehood filter in your dishwasher, however please ensure they are not washed at a temperature above 60°C degrees.

CAUTION: *The filters should be cleaned every few weeks of use to prevent fats and oil buildup and condensation. We do not recommend washing the aluminium filters within a dishwasher. This can damage the filter and cause a discolouration of the filter. Cleaning the filter every month can prevent risk of fire.*

6.2 STAINLESS STEEL SURFACES

Clean stainless-steel surfaces using non-abrasive cleaning products that are specifically designed to be used on stainless steel. To ensure best results, use an even pressure and follow the grain of the stainless steel. Use of a soft cloth reduces the risk of scratching. If the cloth is wet, ensure that a dry soft cloth is also used to wipe down the surface afterwards to reduce the risk of any surface rust appearing. Never use metal pads, chemical, abrasive material or stiff brushes to clean the unit.

6.3 CONTROL PANEL SURFACE

The control panel can be cleaned using warm soapy water. Ensure the cloth is well wrung before cleaning. Use a dry soft cloth to remove any excess moisture left after cleaning.

6.4 CHANGING A LIGHT GLOBE

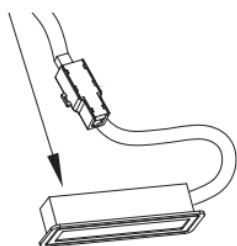
The LED lights should not require service. If it requires replacement, please check below or contact Customers Service for more information.

Replacing “ $\leq 2W$ Square LED Light”

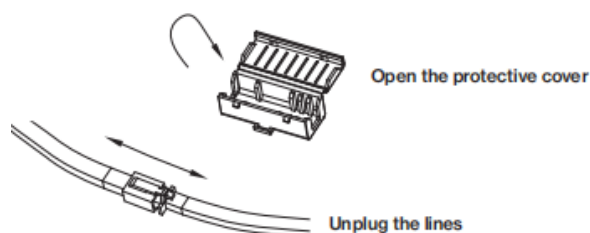
1. Switch the unit off and unplug the appliance.
2. Slide out the front panel for easier access and remove two aluminium mesh filters.



3. Push out the lamp by hand from its back, pull out the lamp connecting cable.



4. Open the protection cover as shown in the picture below and unplug the connected plastic shell to replace with a new lamp.



7 TROUBLESHOOTING

Before calling the customer services, please check that the appliance is correctly connected.

Any of the following cases are not covered by the warranty:

- Damage caused by improper use, storage or maintenance
- Damage caused by unauthorised disassembly and repair
- Damage caused by misuse
- Using the ceramic hob for commercial purposes

7.1 IN CASE OF EMERGENCY

In the event of an emergency you should:

- Switch off all rangehood controls.
- Switch the rangehood off at the power outlet and immediately unplug.
- Contact Customer Service.

Some minor faults can be fixed by referring to the instructions given in the table below.

| FAULT | COMMON CAUSE | COMMON SOLUTIONS |
|--|---|--|
| The lights work, however the motor does not work | The motor is blocked or jammed. | Switch of the unit, arrange repair by a qualified technician |
| | The capacitor is damaged. | |
| Neither the lights nor the motor works | Beside the above mentioned, check the following: | |
| | Light globes are damaged or blown | Replace the light globe |
| | The power cord is loose. | Ensure that the rangehood is correctly plugged in and the power outlet is switched on. |
| The rangehood is vibrating | The rangehood canopy is not fixed correctly. | Ensure that the internal safety screws have been used and are tight. |
| | The unit is not hung properly on the bracket. | Remove the unit and check whether the bracket is in proper location, replace back ensuring it fully fits the bracket |
| Insufficient suction | Too long distance between the rangehood and the cooktop | Re-adjust the installation position, ensuring that the minimum distances are observed as per the building code and relevant standards. |

| | | |
|--|---|---|
| | Ducting is loose, kinked, too long or too many bends. | Check that your rangehood has been ducted correctly and in accordance with the installation instructions. |
|--|---|---|

IMPORTANT: *If your appliance appears to be operating incorrectly, then you should disconnect it from your electrical supply and then contact Customer Service.*

WARNING: *Do not attempt to repair the rangehood yourself.*

NOTE: *If a service technician is asked to attend whilst the product is under warranty and finds that the problem is not the result of an appliance fault, then you will be liable for the cost of the service call.*

The appliance must be accessible for the technician to perform any necessary repair. If your appliance is installed in such a way that the technician is concerned that damage will be caused to the appliance or your kitchen, then they will not complete a repair. This includes situations where appliances have been tiled in or sealed in with sealant.

Please do not disassemble the unit by yourself to avoid any dangers and damages to the appliance, contact the supplier or Customer Service.

8 TECHNICAL SPECIFICATIONS

TR60S60 SPECIFICATIONS

| | |
|-------------------------------|--|
| Model | TR60S60 |
| Dimensions (W × D × H) | 600mm × 300mm × 260 mm |
| Extraction | 1 x 500m ³ /hr |
| Control | Rocker Switch |
| Speed settings | 2 |
| Lighting | 2 x 28w light Bulb |
| Filters | Aluminium grease filters |
| Power supply | 220–240 Volts 50Hz Connects to standard household 10 Amp power line |

TR90S90 SPECIFICATIONS

| | |
|-------------------------------|--|
| Model | TR90S90 |
| Dimensions (W × D × H) | 900mm × 300mm × 260 mm |
| Extraction | 1 x 750m ³ /hr |
| Control | Rocker Switch |
| Speed settings | 2 |
| Lighting | 1x 2w Rectangle LED light |
| Filters | Aluminium grease filters |
| Power supply | 220–240 Volts 50Hz Connects to standard household 10 Amp power line |

NOTE: Weight and Dimensions are approximate. Because we continually strive to improve our products we may change specifications and designs without prior notice.

9 DISPOSAL



This appliance requires special waste disposal. For further information regarding the treatment, recovery and recycling of this product please contact your local council household waste disposal service or the store of purchase.
The packaging materials are recyclable.

10 CUSTOMER CARE

Please be advised that without the proof of purchase, your warranty may not be valid, keep the receipt.

For your convenience, please record:

STORE DETAILS

| | | | |
|------------|--|---------------|--|
| STORE NAME | | | |
| ADDRESS | | | |
| TELEPHONE | | PURCHASE DATE | |

PRODUCT DETAILS

| | | |
|------------|--|--|
| MODEL NO. | | |
| SERIAL NO. | | |

The warranty will be voided, if not installed by a licensed professional. For your own protection, please record the installer's details:

INSTALLER'S DETAILS

| | |
|------------------------|--|
| INSTALLER'S TRADE NAME | |
| TRADE LICENCE No. | |
| DATE OF INSTALLATION | |
| INSTALLATION RECEIPT | |

For further information on the appliance, service, spare parts or to obtain dimension and installation information, please contact our customer service or visit website.

Please have above information and documents on hands before contacting customer service:

Phone: 1300 615 001

Email: info@trinityappliances.com.au

Web: trinityappliances.com.au

