



# Trinity 60cm Built-in Electric Oven

## TRO606BK



### KEY FEATURES

- Air Fry function with mesh airfry tray included
- Large Oven NET Volume: 73L
- 6 Functions with easy operating knob control
- Programmable clock / cut off timer
- Designer style - Black glass front panel
- Triple-glazed, easy removable door and glass
- 24 hour white LED timer
- Black enamelled cavity with easy removable side racks
- Energy Efficiency Class: A

#### GENERAL

Oven Type	Built-in Single Oven
Size	60 cm
Finish Colour	Black Glass
Finish Colour Description	Black Glass Facia Control Panel & Oven Door
Control Type	Dial Controls and Push Button Display
Number Of Shelf Positions	5
Grill Location	Integrated Electric Grill
Timer	Electronic Clock/Timer
Light Type	Incandescent
Temperature Range	50 - 250 Degrees

#### WARRANTY

Manufacturer Warranty	2 Years
Warranty Note	2-Year Domestic Warranty on all Parts & Labour
Use	Not intended or designed for commercial use

#### OVEN FUNCTIONS

Cooking Functions	6
Functions	Air Frying / Fan cook /Conventional / Fan assisted / Maxi grill / Light

#### ACCESSORIES / OVEN CAVITY

Accessories included	1 x Wire Rack, 1 x Air Fry Rack, 1 x Grill/Bake Pan, 1 x Grill Insert
Oven Cavity	Black Enamel
Oven Volume	80 Litres (Gross) / 73 Litres (Net)

#### POWER / RATINGS

Voltage Rating	220-240 V~ 50/ 60 Hz
Power Rating	Max. 2.9kw
Maximum current rating	12 Amps
Type of connection	15A plug & lead
Length of cord	1.5 m

Connection requirements	This product requires a 15amp electrical connection. It will not work with standard Australian 10amp electrical sockets.
-------------------------	--

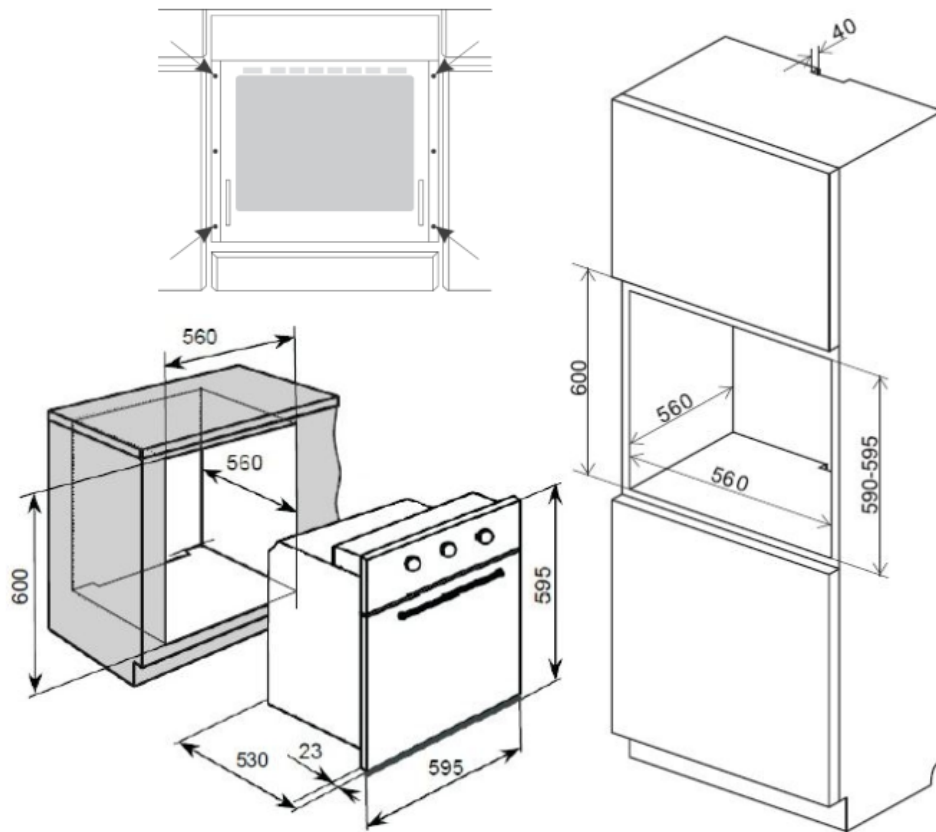
Energy Rating	A
---------------	---

#### DIMENSIONS

Cut-Out Dim. (H x W x D)	600 x 560 x 560 mm (min)
Product Dim. (H x W x D)	595 x 595 x 530 mm
Product Weight	31 kg
Packed Dim. (H x W x D)	655 x 650 x 580 mm
Package Weight	33 kg

NOTE TO THE INSTALLER: Dimensions, specifications and drawings not to scale and to assist as a guide only. Trinity Appliances reserves the absolute and unrestricted right to change product materials and specifications, at any time, without notice. Physical product measurements of actual product must be taken prior to installation and making a cutout. Proper installation is the responsibility of the installer. Product failure due to improper installation is not covered under the Product Warranty.





### Product Dimensions

### Cut-Out Dimensions

Height: 595mm  
 Width: 595mm  
 Depth: 530mm

600mm  
 560mm  
 560mm (min)

NOTE TO THE INSTALLER: Dimensions, specifications and drawings not to scale and to assist as a guide only. Trinity Appliances reserves the absolute and unrestricted right to change product materials and specifications, at any time, without notice. Physical product measurements of actual product must be taken prior to installation and making a cutout. Proper installation is the responsibility of the installer. Product failure due to improper installation is not covered under the Product Warranty.