



Trinity 60cm Built-in Electric Oven

TRO605SS



KEY FEATURES

- Large Oven NET capacity: 73L
- 5 Functions with easy operating knob control
- Double-glazed, easy removable door and glass
- 120 min timer
- Black enamelled cavity with easy removable side racks
- Energy Efficiency Class: A

GENERAL

Oven Type	Built-in Single Oven
Size	60 cm
Finish Colour	Stainless Steel
Finish Colour Description	Stainless Steel Facia Panels with an Aluminium Handle
Control Type	3 x Dial Controls
Number Of Shelf Positions	5
Grill Location	Integrated Electric Grill
Timer	120-minute Mechanical Timer
Light Type	Halogen
Temperature Range	50 - 250 Degrees

WARRANTY

Manufacturer Warranty	2 Years
Warranty Note	2-Year Domestic Warranty on all Parts & Labour
Use	Not intended or designed for commercial use

OVEN FUNCTIONS

Cooking Functions	5
Functions	Fan heating / Defrost / Fan grill / Maxi grill / Light

ACCESSORIES / OVEN CAVITY

Accessories included	1 x Wire Rack, 1 x Grill/Bake Pan, 1 x Grill Insert
Oven Cavity	Black Enamel
Oven Volume	80 Litres (Gross) / 73 Litres (Net)

POWER / RATINGS

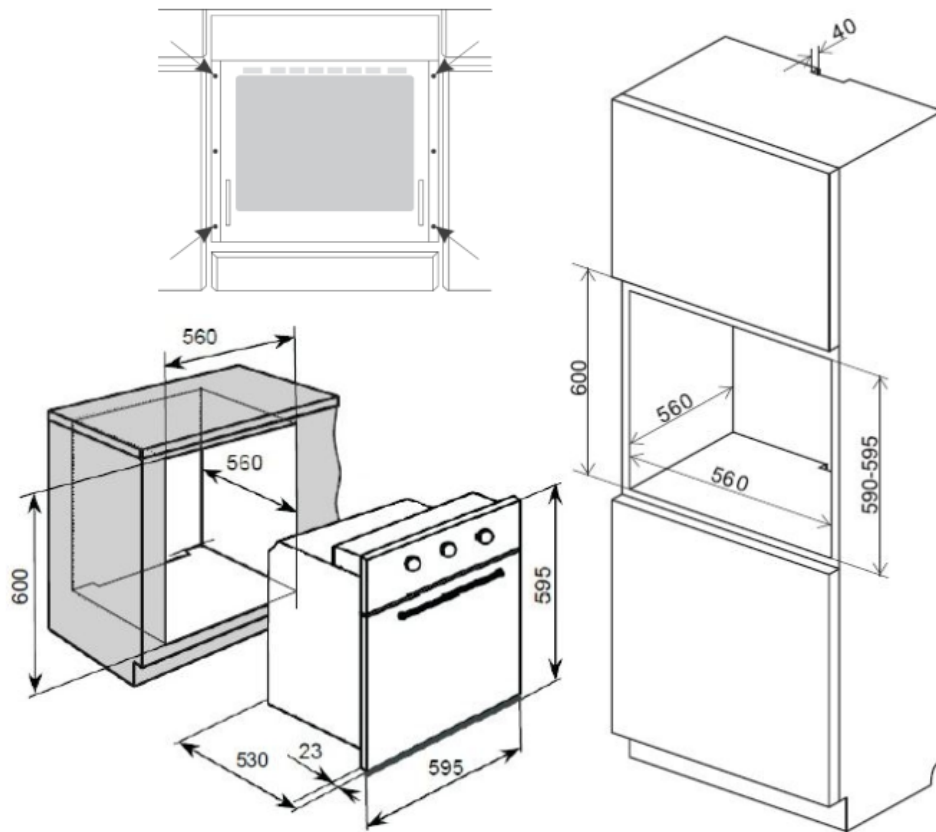
Voltage Rating	220–240 V~ 50/ 60 Hz
Power Rating	Max. 1.8kw
Maximum current rating	7.5 Amps
Type of connection	15A plug & lead
Length of cord	1.5 m
Connection requirements	This product requires a 15amp electrical connection
Energy Rating	A

DIMENSIONS

Cut-Out Dim. (H x W x D)	600 x 560 x 560 mm (min)
Product Dim. (H x W x D)	595 x 595 x 530 mm
Product Weight	28 kg
Packed Dim. (H x W x D)	655 x 650 x 580 mm
Package Weight	30 kg

NOTE TO THE INSTALLER: Dimensions, specifications and drawings not to scale and to assist as a guide only. Trinity Appliances reserves the absolute and unrestricted right to change product materials and specifications, at any time, without notice. Physical product measurements of actual product must be taken prior to installation and making a cutout. Proper installation is the responsibility of the installer. Product failure due to improper installation is not covered under the Product Warranty.





Product Dimensions

Cut-Out Dimensions

Height: 595mm
 Width: 595mm
 Depth: 530mm

600mm
 560mm
 560mm (min)

NOTE TO THE INSTALLER: Dimensions, specifications and drawings not to scale and to assist as a guide only. Trinity Appliances reserves the absolute and unrestricted right to change product materials and specifications, at any time, without notice. Physical product measurements of actual product must be taken prior to installation and making a cutout. Proper installation is the responsibility of the installer. Product failure due to improper installation is not covered under the Product Warranty.