



60cm 4 Burner Gas Stainless Steel Cooktop

TRG600SS



GENERAL

Type	Built-in
Size	60 cm
Finish	Stainless Steel
Functions	Knob

Technical specification

Voltage Rating	220–240 V AC 50/ 60 Hz
Max Rated Inputs	0.0008KW
Cooking Zones	4 Burner
Mains Supply Lead	3 core x 0.75mm ² (Type RR-F <HAR> marked)
Type	Natural Gas (1.0 KPa) LPG (2.75KPa)
Power Cord	1.0m
Mains cable	Yes

COOKTOP

Burner Configuration	4- Gas Burner
Front left	1 x 14.4 MJ/h triple crown (wok) burner(NG)
Front right	2 x 6.5 MJ/h semi-rapid burners(NG)
Rear left	1 x 3.6 MJ/h auxiliary burner(NG)
Rear right	2 x 6.5 MJ/h semi-rapid burners(NG)
Pan Support Type	Cast Iron Continuous Pan Supports

DIMENSIONS

Cut-Out Dim. (H x W)	560 x 480 mm
Product Dim. (H x W x D)	600 x 510 x 40 mm
Product Weight	8.20 kg
Packed Dim (H x W x D)	640 x550 x145 mm
Packed Weight	8.80 kg

KEY FEATURES

- Front control operation
- Automatic ignition
- Heavy duty metal pan stands
- Flame failure safety device on each burner
- LPG conversion kit

NOTE TO THE INSTALLER: Dimensions, specifications and drawings not to scale and to assist as a guide only. Trinity Appliances reserves the absolute and unrestricted right to change product materials and specifications, at any time, without notice. Physical product measurements of actual product must be taken prior to installation and making a cutout. Proper installation is the responsibility of the installer. Product failure due to improper installation is not covered under the Product Warranty.

1300615001 | trinityappliances.com.au

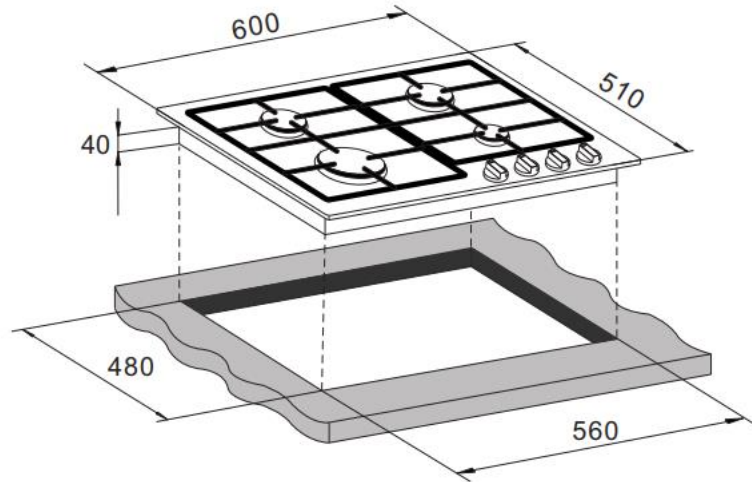
© 2021 Trinity Appliances





60cm 4 Burner Gas Stainless Steel Cooktop

TRG600SS



Product Dimensions

Cut-Out Dimensions

Height: 600mm
Width: 510mm
Depth: 40mm

560mm
480mm

NOTE TO THE INSTALLER: Dimensions, specifications and drawings not to scale and to assist as a guide only. Trinity Appliances reserves the absolute and unrestricted right to change product materials and specifications, at any time, without notice. Physical product measurements of actual product must be taken prior to installation and making a cutout. Proper installation is the responsibility of the installer. Product failure due to improper installation is not covered under the Product Warranty.

