



KEY FEATURES

- Air Fry function with mesh airfry tray included
- Large Oven NET capacity: 73L
- 10 Functions with easy digital control
- Designer style - Black glass Touch Control Panel
- Programmable clock / cut off timer
- Mechanical Thermostat: 50°C-250°C
- Triple-glazed, easy removable door and glass
- 5 Shelves
- 24 hour LED timer
- Black enamelled cavity with easy removable side racks
- Energy Efficiency Class: A

GENERAL

Type	Built-in
Size	60 cm
Finish	Stainless Steel & Full Black Glass
Side Walls	Stainless Steel
Functions & Temperature Control	Touch Control Panel
Timer Control	Digital LED Display
Handle	Black Matt Alloy
Knobs	Touch Control Panel

OVEN FUNCTIONS

Knob Control	Yes
Cooking Functions	10
Oven Light	Yes
Airfry	Yes
Grill	Yes
Fan Forced	Yes
Fan Grill	Yes
Defrost	Yes
Top Heat	Yes
Bake Heat	Yes
Bake	Yes
Pizza (Bake Heat with Fan Forced)	Yes
Convection Rotisserie	No
Grill with Rotisserie	No

TEMPERATURE SELECTOR

Knob Control	Yes
Temperature Range	50 ~ 250°C

PROGRAMMABLE TIMER / DISPLAY

Timer	24 hour
Display	LED Display

ACCESSORIES / OVEN CAVITY

Airfry Tray	Yes
Oven Tray	Yes
Oven Shelf	Yes
Tray Insert Grill Rack	Yes
Rotisserie	Yes
Oven Cavity	Black Enamel
Cavity Size	73 L

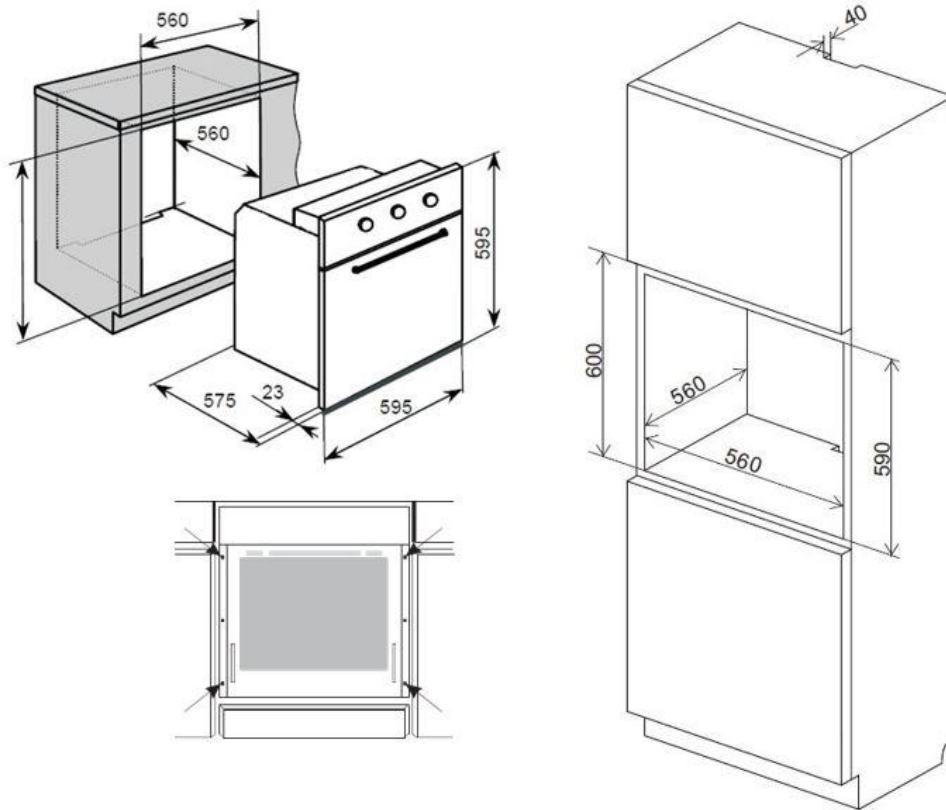
POWER / RATINGS

Voltage Rating	220-240 V~ 50/ 60 Hz
Power Rating	Max. 3.1kw
Power Cord	15 amp 3 Pin Plug
Energy Rating	A

DIMENSIONS

Cut-Out Dim. (H x W x D)	600 x 560 x 580 mm (min)
Product Dim. (H x W x D)	595 x 595 x 575 mm
Product Weight	28 kg
Packed Dim. (H x W x D)	650 x 580 x 655 mm
Package Weight	30 kg

NOTE TO THE INSTALLER: Dimensions, specifications and drawings not to scale and to assist as a guide only. Trinity Appliances reserves the absolute and unrestricted right to change product materials and specifications, at any time, without notice. Physical product measurements of actual product must be taken prior to installation and making a cutout. Proper installation is the responsibility of the installer. Product failure due to improper installation is not covered under the Product Warranty.



Product Dimensions

Height: 595mm
 Width: 595mm
 Depth: 575mm

Cut-Out Dimensions

600mm
 560mm
 580mm (min)

NOTE TO THE INSTALLER: Dimensions, specifications and drawings not to scale and to assist as a guide only. Trinity Appliances reserves the absolute and unrestricted right to change product materials and specifications, at any time, without notice. Physical product measurements of actual product must be taken prior to installation and making a cutout. Proper installation is the responsibility of the installer. Product failure due to improper installation is not covered under the Product Warranty.