

# 90cm Wall Canopy Rangehood

**TR20190**



## KEY FEATURES

- 0.7 Mm Thickness Stainless Steel
- 2 Aluminium Washable Filters
- 380 CBM/H Airflow
- Australian Power Plug
- Powerful 3-Speed Exhaust Motor
- Exhaust Duct Diameter: 150mm

### GENERAL

Installation	Wall-Mounted
Size	90 cm
Material	Stainless Steel
Color	Silver
Control Design	Push Button

### SPECIFICATIONS

Fan Speed	3-speed
Exhaust Air Power	380 cbm/h
Lighting	2W LED Square Lamp x 2
Filter	5 layers Aluminium Filter x 3
Flue	400+400mm Sliding Chimney
Pipe	2m PVC Pipe

### AVAILABLE ACCESSORIES

Filter	Carbon Filter CP100
Flue	FP100

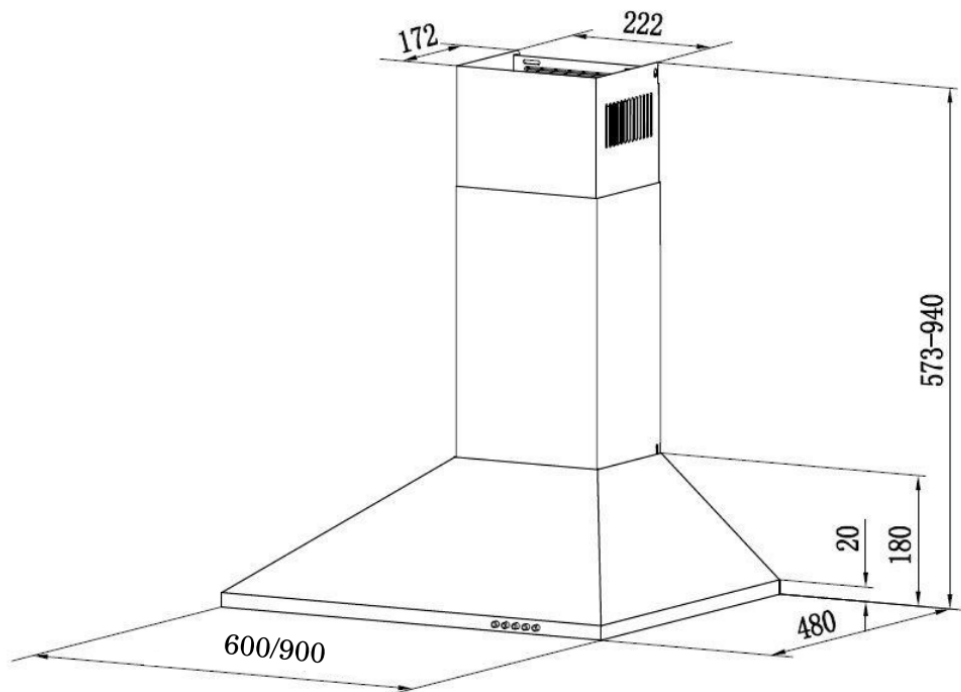
### POWER / RATINGS

Voltage Rating	220-240 V~ 50/ 60 Hz
Power Cord	3 pin Plug

### DIMENSIONS

Product Dim. (H x W x D)	573-940 x 900 x 480 mm
Product Weight	12 kg
Packed Dim. (H x W x D)	900 x 500 x 300 mm
Package Weight	13 kg

NOTE TO THE INSTALLER: Dimensions, specifications and drawings not to scale and to assist as a guide only. Trinity Appliances reserves the absolute and unrestricted right to change product materials and specifications, at any time, without notice. Physical product measurements of actual product must be taken prior to installation and making a cutout. Proper installation is the responsibility of the installer. Product failure due to improper installation is not covered under the Product Warranty.



## Product Dimensions

Height: 573-940mm

Width: 900mm

Depth: 480mm

NOTE TO THE INSTALLER: Dimensions, specifications and drawings not to scale and to assist as a guide only. Trinity Appliances reserves the absolute and unrestricted right to change product materials and specifications, at any time, without notice. Physical product measurements of actual product must be taken prior to installation and making a cutout. Proper installation is the responsibility of the installer. Product failure due to improper installation is not covered under the Product Warranty.