

60cm Wall Canopy Rangehood

TR20160


GENERAL

Installation	Wall-Mounted
Size	60 cm
Material	Stainless Steel
Color	Silver
Control Design	Push Button

SPECIFICATIONS

Fan Speed	3-speed
Exhaust Air Power	380 cbm/h
Lighting	2W LED Square Lamp
Filter	5 layers Aluminium Filter x 2
Flue	400+400mm Sliding Chimney
Pipe	2m PVC Pipe

AVAILABLE ACCESSORIES

Filter	Carbon Filter CP100
Flue	FP100

POWER / RATINGS

Voltage Rating	220-240 V~ 50/ 60 Hz
Power Cord	3 pin Plug

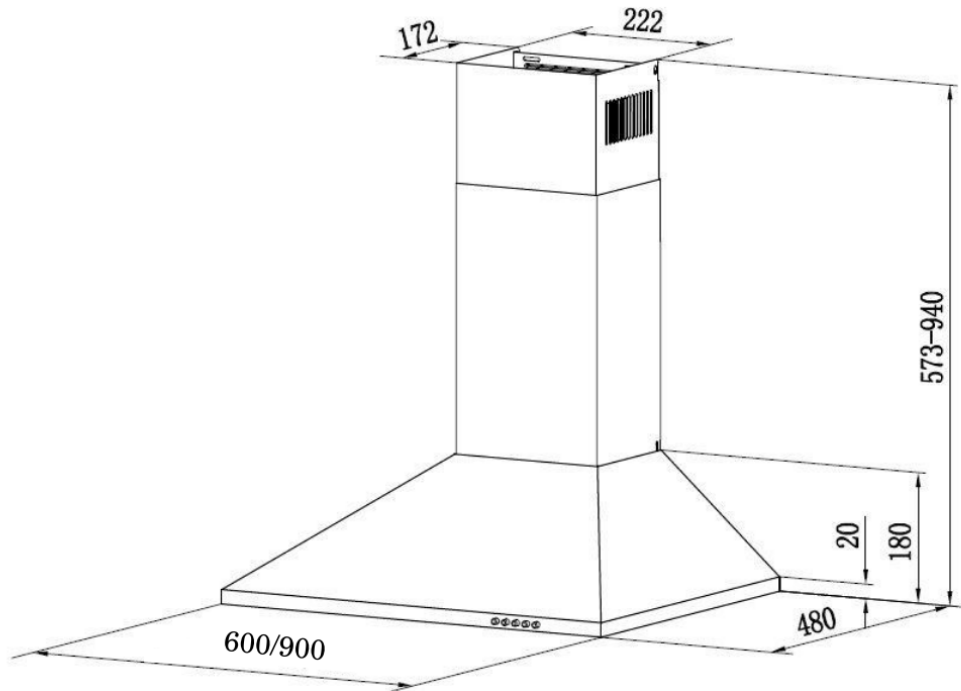
DIMENSIONS

Product Dim. (H x W x D)	573-940 x 600 x 480 mm
Product Weight	7 kg
Packed Dim. (H x W x D)	600 x 480 x 550 mm
Package Weight	8 kg

KEY FEATURES

- 0.7 Mm Thickness Stainless Steel
- 2 Aluminium Washable Filters
- 380 CBM/H Airflow
- Australian Power Plug
- Powerful 3-Speed Exhaust Motor
- Exhaust Duct Diameter: 150mm

NOTE TO THE INSTALLER: Dimensions, specifications and drawings not to scale and to assist as a guide only. Trinity Appliances reserves the absolute and unrestricted right to change product materials and specifications, at any time, without notice. Physical product measurements of actual product must be taken prior to installation and making a cutout. Proper installation is the responsibility of the installer. Product failure due to improper installation is not covered under the Product Warranty.



Product Dimensions

Height: 573-940mm

Width: 600mm

Depth: 480mm

NOTE TO THE INSTALLER: Dimensions, specifications and drawings not to scale and to assist as a guide only. Trinity Appliances reserves the absolute and unrestricted right to change product materials and specifications, at any time, without notice. Physical product measurements of actual product must be taken prior to installation and making a cutout. Proper installation is the responsibility of the installer. Product failure due to improper installation is not covered under the Product Warranty.