

## GENERAL

Type	Built-in
Size	60 cm
Finish	Black Crystal Glass
Functions & Temperature Control	Touch Control

## Technical specification

Voltage Rating	220–240 V~ 50/ 60 Hz
Power Rating	6KW
Cooking Zones	4 Zones
Power Cord	1.2cm
Mains cable	No

## Zone information

Front left	Φ 200mm	1.8KW
Front right	Φ 165mm	1.2KW
Rear left	Φ 165mm	1.2KW
Rear right	Φ 200mm	1.8KW

## DIMENSIONS

Cut-Out Dim. (H x W)	560 x 490 mm
Product Dim. (H x W x D)	590 x 520 x 55 mm
Product Weight	9 kg

## KEY FEATURES

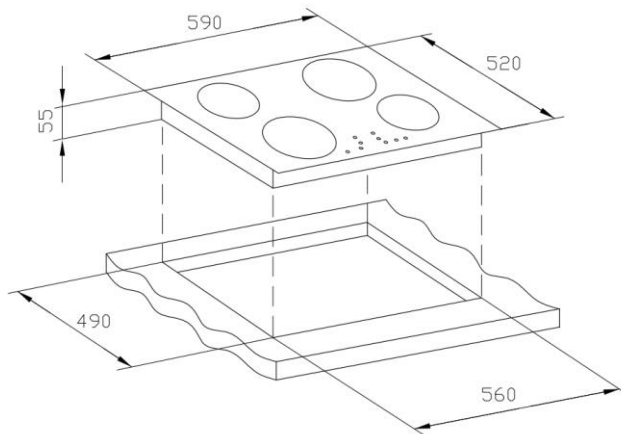
- LED display
- 9 power levels
- Electronic touch control
- Overflow detection
- Time limit security system
- Ceramic shatter-proof safety glass
- Easy clean surface
- Residual heat indicators
- Safety key lock
- Auto safety switch off
- Temperature limiter

NOTE TO THE INSTALLER: Dimensions, specifications and drawings not to scale and to assist as a guide only. Trinity Appliances reserves the absolute and unrestricted right to change product materials and specifications, at any time, without notice. Physical product measurements of actual product must be taken prior to installation and making a cutout. Proper installation is the responsibility of the installer. Product failure due to improper installation is not covered under the Product Warranty.



# 60cm Ceramic Cooktop

TRC600



## Product Dimensions    Cut-Out Dimensions

Height:	590mm	560mm
Width:	520mm	490mm
Depth:	55mm	

NOTE TO THE INSTALLER: Dimensions, specifications and drawings not to scale and to assist as a guide only. Trinity Appliances reserves the absolute and unrestricted right to change product materials and specifications, at any time, without notice. Physical product measurements of actual product must be taken prior to installation and making a cutout. Proper installation is the responsibility of the installer. Product failure due to improper installation is not covered under the Product Warranty.

