

# 60cm Built-in Slideout Rangehood

TR90660



## GENERAL

Installation	Built-in
Size	60 cm
Material	Stainless Steel
Color	Silver
Control Design	Rocker Switch

## SPECIFICATIONS

Fan Speed	2-speed
Exhaust Air Power	380 cbm/h
Lighting	2x 40W Lamp
Filter	5 layers Aluminium Filter x 2
Flue	Not Included
Pipe	Not Included

## AVAILABLE ACCESSORIES

Filter	Carbon Filter CP100
Flue	No

## POWER / RATINGS

Voltage Rating	220-240 V~ 50/ 60 Hz
Power Cord	3 pin Plug

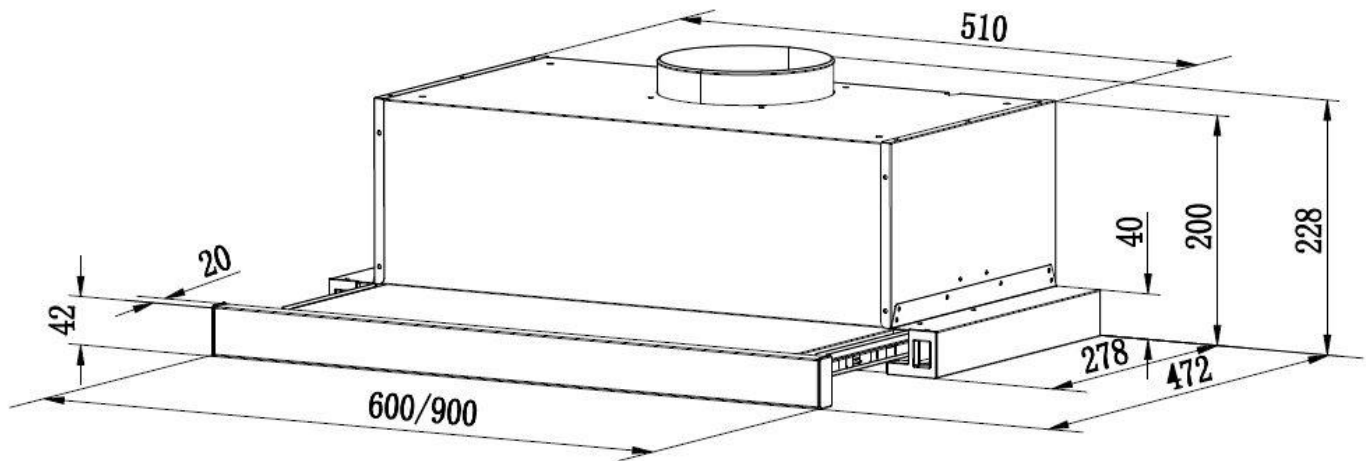
## DIMENSIONS

Product Dim. (H x W x D)	228 x 600 x 278 mm
Product Weight	9 kg
Packed Dim. (H x W x D)	650 x 270 x 360 mm
Package Weight	10 kg

## KEY FEATURES

- 0.7 Mm Thickness Stainless Steel
- Aluminium Washable Filters
- 380 CBM/H Airflow
- Australian Power Plug
- Powerful 2-Speed Exhaust Motor
- Exhaust Duct Diameter: 150mm

NOTE TO THE INSTALLER: Dimensions, specifications and drawings not to scale and to assist as a guide only. Trinity Appliances reserves the absolute and unrestricted right to change product materials and specifications, at any time, without notice. Physical product measurements of actual product must be taken prior to installation and making a cutout. Proper installation is the responsibility of the installer. Product failure due to improper installation is not covered under the Product Warranty.



## Product Dimensions

Height: 228mm

Width: 600mm

Depth: 278mm

NOTE TO THE INSTALLER: Dimensions, specifications and drawings not to scale and to assist as a guide only. Trinity Appliances reserves the absolute and unrestricted right to change product materials and specifications, at any time, without notice. Physical product measurements of actual product must be taken prior to installation and making a cutout. Proper installation is the responsibility of the installer. Product failure due to improper installation is not covered under the Product Warranty.