

90cm Curved Glass Wall Canopy Rangehood

TR506B90


GENERAL

Installation	Wall-Mounted
Size	90 cm
Material	Stainless Steel & Tempered Glass
Color	Silver
Control Design	Push Buttons

SPECIFICATIONS

Fan Speed	3-speed
Exhaust Air Power	701-800 CFM
Lighting	2x2w Multi Bulb LED Light
Filter	5 layers Aluminium Filter x 2
Flue	Stainless Steel 500 + 500 mm Flue
Pipe	150mm*1.5m length PVC Pipe

AVAILABLE ACCESSORIES

Filter	Carbon Filter CB506
Flue	Flue FP506

POWER / RATINGS

Voltage Rating	220-240 V~ 50/ 60 Hz
Power Cord	3 pin Plug

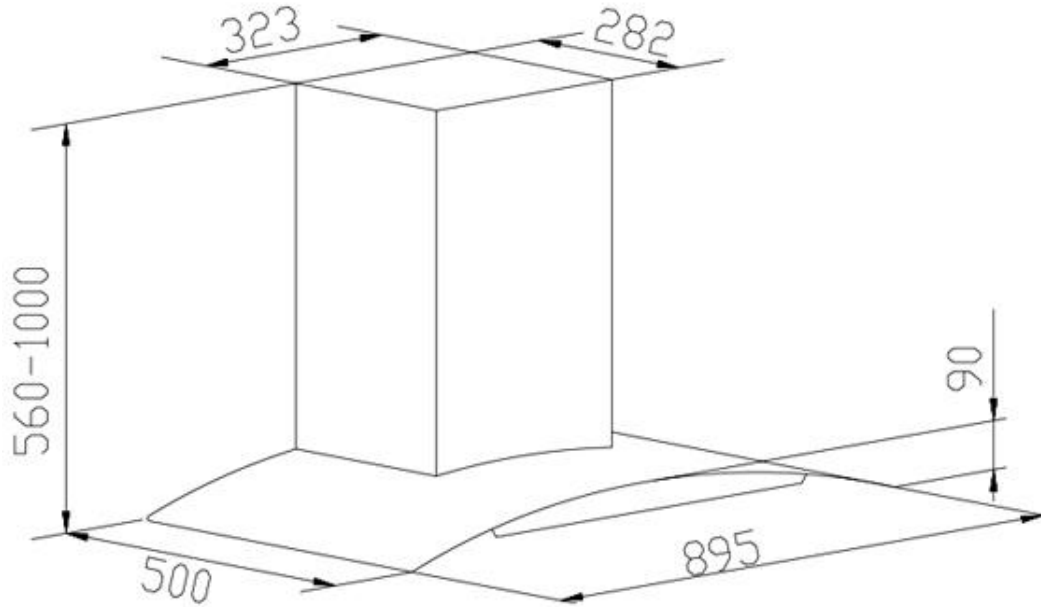
DIMENSIONS

Product Dim. (H x W x D)	560-1000 x 900 x 500 mm
Product Weight	16 kg
Packed Dim. (H x W x D)	940 x 350 x 540 mm
Package Weight	17 kg

KEY FEATURES

- 6 mm Thickness Curved Tempered Glass
- 0.7 Mm Thickness Stainless Steel
- Aluminium Washable Filter
- 750CBM/H Airflow
- Australian Power Plug
- 2 Bright Multi Bulb LED Light
- Powerful 3-Speed Exhaust Motor

NOTE TO THE INSTALLER: Dimensions, specifications and drawings not to scale and to assist as a guide only. Trinity Appliances reserves the absolute and unrestricted right to change product materials and specifications, at any time, without notice. Physical product measurements of actual product must be taken prior to installation and making a cutout. Proper installation is the responsibility of the installer. Product failure due to improper installation is not covered under the Product Warranty.



Product Dimensions

Height:	560-1000mm
Width:	895mm
Depth:	500mm

NOTE TO THE INSTALLER: Dimensions, specifications and drawings not to scale and to assist as a guide only. Trinity Appliances reserves the absolute and unrestricted right to change product materials and specifications, at any time, without notice. Physical product measurements of actual product must be taken prior to installation and making a cutout. Proper installation is the responsibility of the installer. Product failure due to improper installation is not covered under the Product Warranty.