

# 60cm Wall Canopy Rangehood

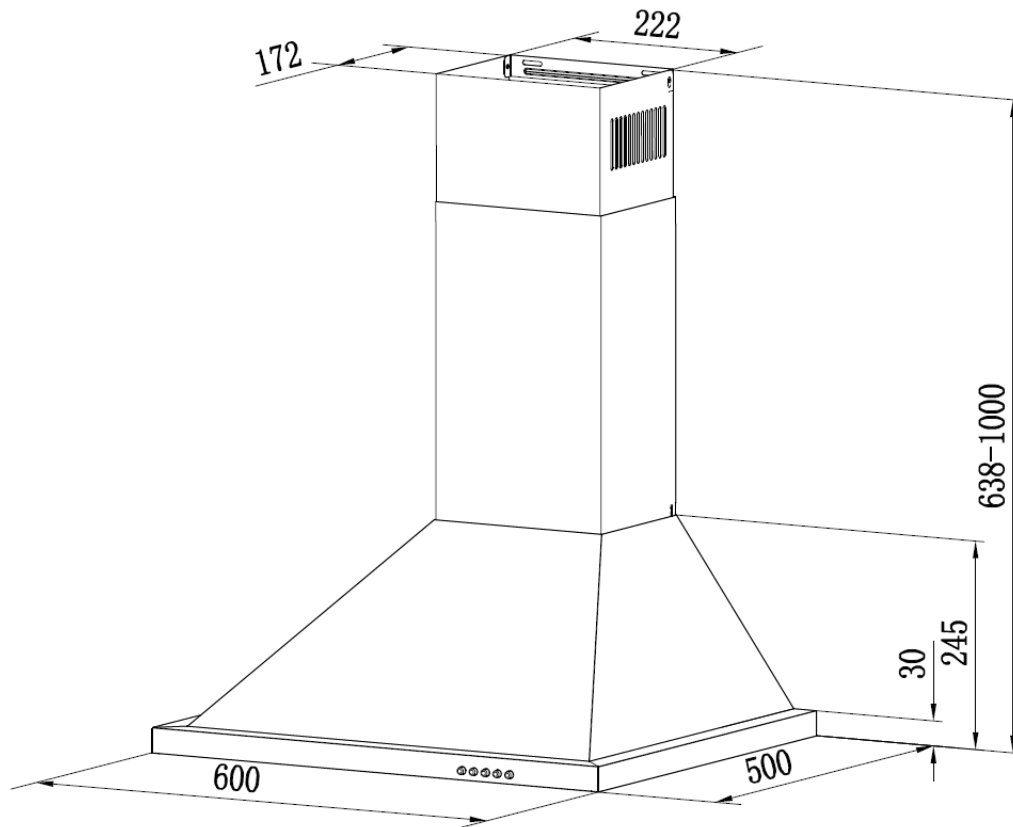
**TR20160**


GENERAL	
Installation	Wall-Mounted
Size	60 cm
Material	Stainless Steel
Color	Silver
Control Design	Push Button
SPECIFICATIONS	
Fan Speed	3-speed
Exhaust Air Power	701-800 cbm/h
Lighting	2W Multi Bulb LED Lamp x 2
Filter	5 layers Aluminium Filter x 2
Flue	400+400mm Sliding Chimney
Pipe	2m PVC Pipe
AVAILABLE ACCESSORIES	
Filter	Carbon Filter CP120
Flue	No
POWER / RATINGS	
Voltage Rating	220-240 V~ 50/ 60 Hz
Power Cord	3 pin Plug
DIMENSIONS	
Product Dim. (H x W x D)	638-1000 x 600 x 500 mm
Product Weight	9 kg
Packed Dim. (H x W x D)	650 x 300 x 550 mm
Package Weight	10 kg

## KEY FEATURES

- 0.7 Mm Thickness Stainless Steel
- 2 Aluminium Washable Filters
- 750 CBM/H Airflow
- Australian Power Plug
- Powerful 3-Speed Exhaust Motor
- Exhaust Duct Diameter: 150mm

NOTE TO THE INSTALLER: Dimensions, specifications and drawings not to scale and to assist as a guide only. Trinity Appliances reserves the absolute and unrestricted right to change product materials and specifications, at any time, without notice. Physical product measurements of actual product must be taken prior to installation and making a cutout. Proper installation is the responsibility of the installer. Product failure due to improper installation is not covered under the Product Warranty.



### Product Dimensions

Height: 638-1000mm

Width: 600mm

Depth: 500mm

NOTE TO THE INSTALLER: Dimensions, specifications and drawings not to scale and to assist as a guide only. Trinity Appliances reserves the absolute and unrestricted right to change product materials and specifications, at any time, without notice. Physical product measurements of actual product must be taken prior to installation and making a cutout. Proper installation is the responsibility of the installer. Product failure due to improper installation is not covered under the Product Warranty.